

PFTPD



Plastic Test Plug

Product Features

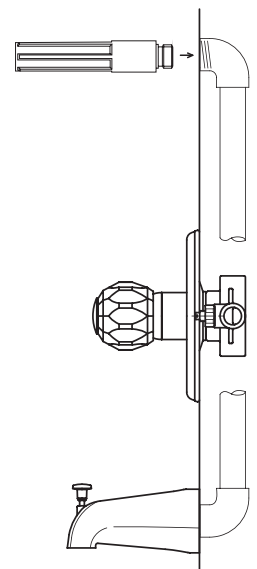
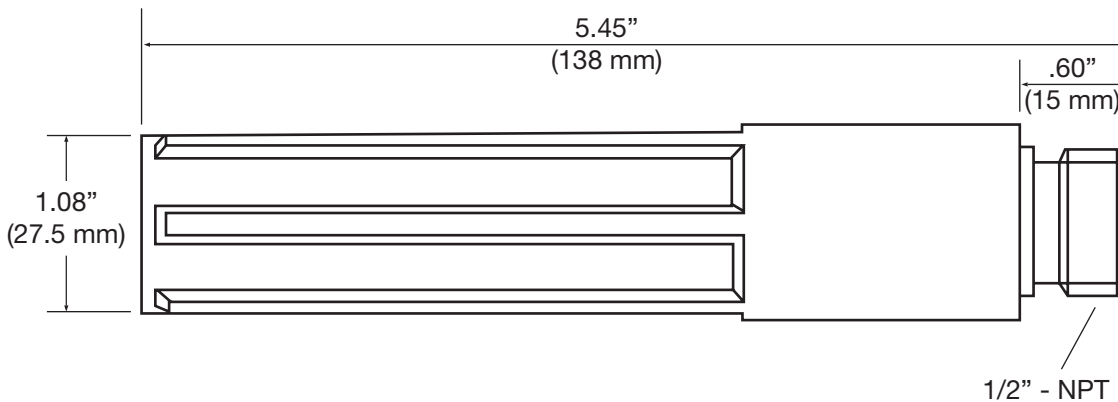
- Water test only up to 200 psi
- 1/2" NPT male connection with gasket
- Can be installed by hand - reusable
- Threads into drop-eared elbow for testing
- No thread sealant required
- Polypropylene construction

Model Number	Description
PFTPD	1/2" Test Plug with Gasket



PFTPD

Product Specifications



Warranty and Codes

This PROFLO product carries a 1-year limited warranty.

Distributed Exclusively by Ferguson and Wolseley Canada