

## Hot Mop Adapter **E208**

### Features:

- Attaches to 3 Bolt cast iron drains
- Made of high temp resin
- Use with hot mop waterproofing
- Makes 3 bolt cast iron drains work with Ebbe drain covers

### Codes & Applicable Standards:

- ASME A112.18.2/CSA B125.2
- ICC

### Specified Model

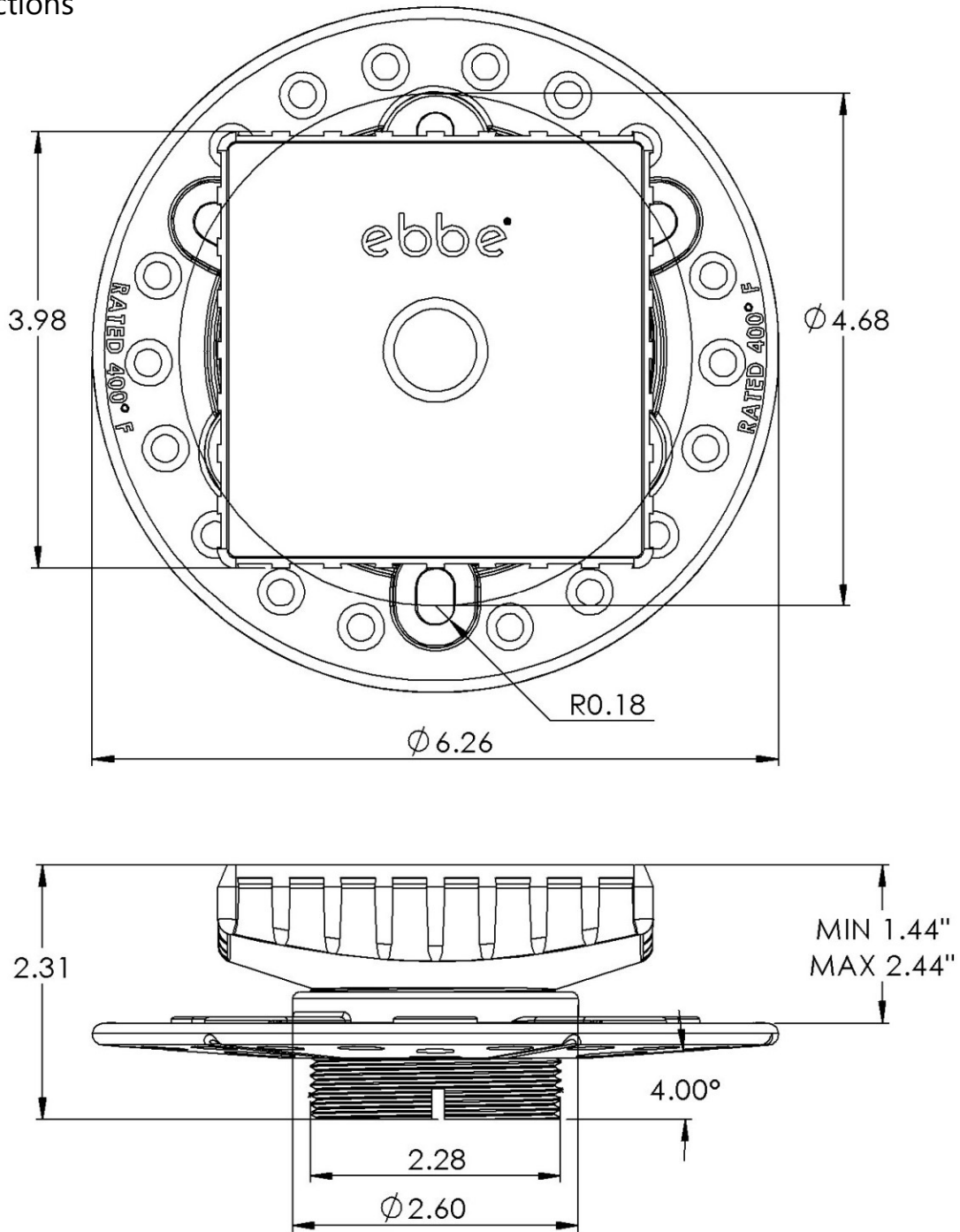
Component	Description
Clamping Plate	Clamping plate for 3 bolt cast iron drains
Modified Riser	Modified Ebbe E4400 riser
Hair Trap	Ebbe standard Hair trap
Weep Shields	Ebbe fast weep mesh

### Product Specification

The Hot Mop Adapter shall be made of PA66 20GF construction. The Hot mop adapter will withstand temperatures to 400F. The Hot Mop adapter shall be model E208

## Installation Notes

Install this product according to the installation instructions



E208 Product Diagram