

Submitted Model No.: \_\_\_\_\_  
 Specific Features: \_\_\_\_\_

# BRIZO®

## ROMAN TUB/ WHIRLPOOL FAUCET TRIM

- Baliza® Bath Collection
- Two-Handle Roman Tub Valve Trim
- Three Hole Installation (T67305-LHP)
- Four Hole Installation (T67405-LHP)
- Rough-In Kit Must Also be Ordered to Complete Installation (R62707 for Three Hole or R64707 for Four Hole)

### TRIM STANDARD SPECIFICATIONS:

- Trim only for two handle roman tub faucet for concealed mounting
- LHP - Less Handle Program. See handle options below
- Temperature and volume controlled with handles
- Rough-In kit must also be ordered to complete installation (R62707 for three hole or R64707 for four hole). There are separate specification sheets on each rough-in kit if more details are required.
- Handshower includes double check valves for backflow prevention (T67405-LHP)
- Handshower maximum 1.75 gpm @ 80 psi, 6.6 L/min @ 550 kPa

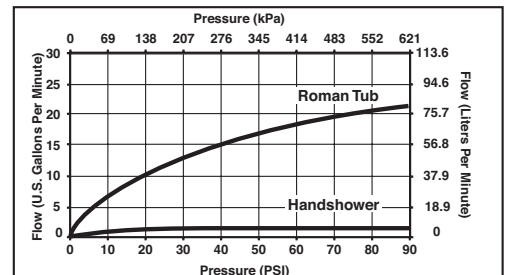
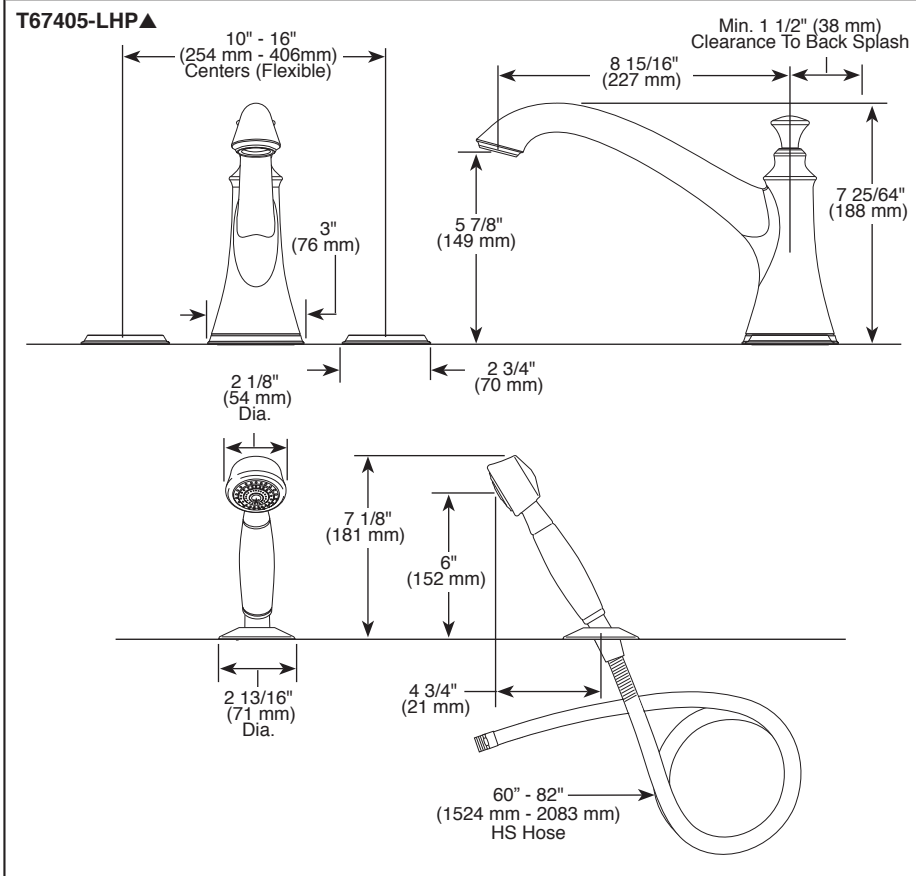
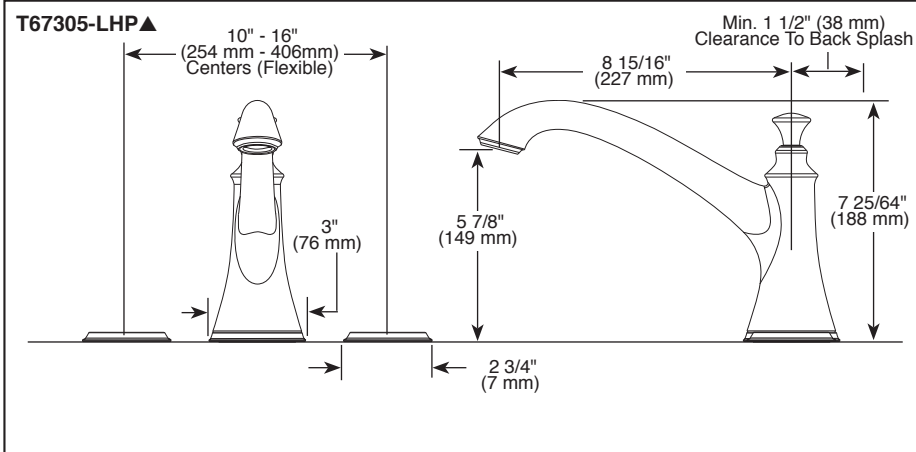
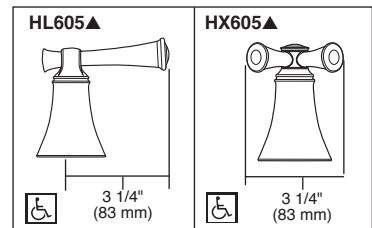
### WARRANTY

- Parts and Finish - Lifetime limited warranty; or for commercial purchasers, 10 years for multi-family residential (apartments and condominiums) and 5 years for all other commercial uses, in each case from the date of purchase.
- Electronic Parts and Batteries (if applicable) - 5 years from the date of purchase; or for commercial purchasers, 1 year from the date of purchase. No warranty is provided on batteries.



### COMPLIES WITH:

- ASME A112.18.1 / CSA B125.1
- Indicates compliance to ICC/ANSI A117.1 - Valve control only
- EPA WaterSense® - Applies to handshower only - RP34696\*



▲ Designate Proper Finish Suffix

Brizo Kitchen & Bath Company reserves the right (1) to make changes in specifications and materials, and (2) to change or discontinue models, both without notice or obligation. Dimensions are for reference only. See current full-line price book or www.brizo.com for finish options and product availability.

BSP-B-T67305-LHP Rev. H

**Brizo Kitchen & Bath Company**

55 E. 111th Street, Indianapolis, IN 46280  
 350 South Edgeware Road, St. Thomas, ON N5P 4L1  
 © 2019 Brizo Kitchen & Bath Company