

# WINGITS®

## Rectangular Permanent Rear Mount Tub Bench with SKIS

Model:  
**WBTRS**

**Part Numbers:**

**WBTRS290150PW**      **WBTRS290185PW**  
29" x 15" Tub Bench      29" x 18.5" Tub Bench  
White Phenolic Finish      White Phenolic Finish

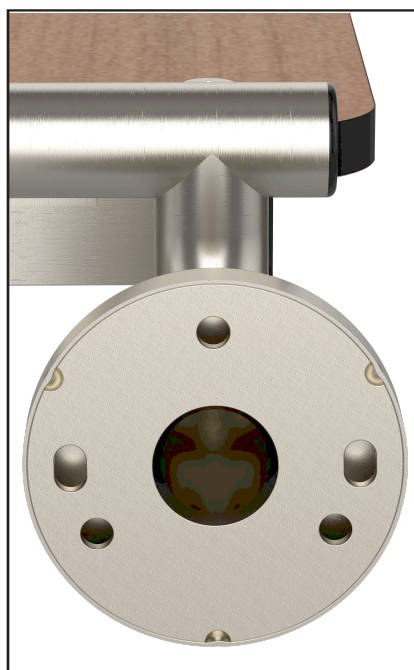
**WBTRS290150PT**      **WBTRS290185PT**  
29" x 15" Tub Bench      29" x 18.5" Tub Bench  
Teak Phenolic Finish      Teak Phenolic Finish

**WBTRS290150NW**      **WBTRS290185NW**  
29" x 15" Tub Bench      29" x 18.5" Tub Bench  
White Padded      White Padded  
Naugahyde      Naugahyde



**Features:**

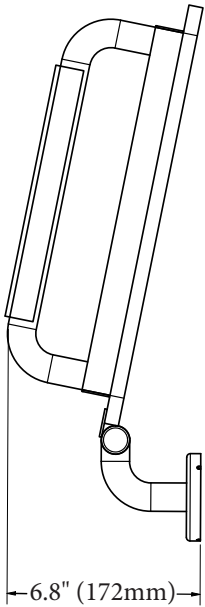
- Comfort and Safety
- Physical Support - helps those who have limited mobility
- Available in 1-Piece Phenolic material, Phenolic Slats or Padded Naugahyde
- 18-8 (304) Stainless Steel Frame with 3" Skis
- Exceeds 250 lb load rating



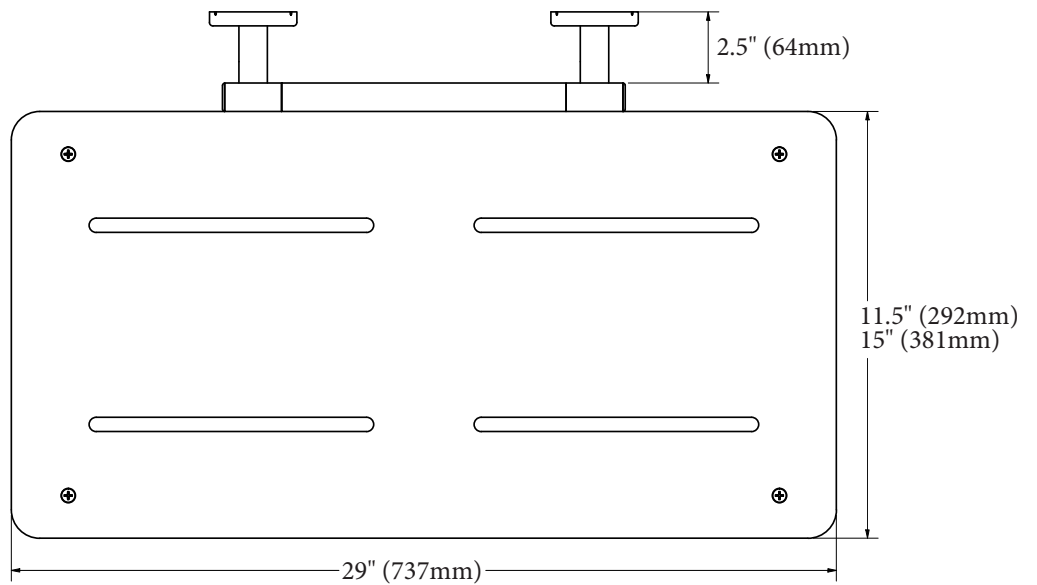
2" from center to center Flanges are 3" in diameter  
Holes are 0.25" in diameter

<b>MECHANICAL DATA</b>	
Height: 4.5" (115mm)	
Length: 29" (737mm)	
Depth: see part number	
<b>COMPOSITION</b>	
18-8 (304) Stainless Steel frame with Phenolic Top or Padded Naugahyde	
<b>MODALITY</b>	
Use: Wall Installation	Load Capacity: 800 lb
<b>INSTALLATION</b>	
WINGITS® Floating Tub Benches are designed to hold live loads and <b>must be installed into Adequate Structural Blocking</b> or with WINGITS® Fasteners (GBW40) when blocking is not available. The reinforcement should extend adequately past the overall height and width of the unit being installed.	
<b>RECOMMENDED INTEGRATION</b>	
Install into <b>Adequate Structural Blocking</b> or with WINGITS® Fasteners (GBW40).	

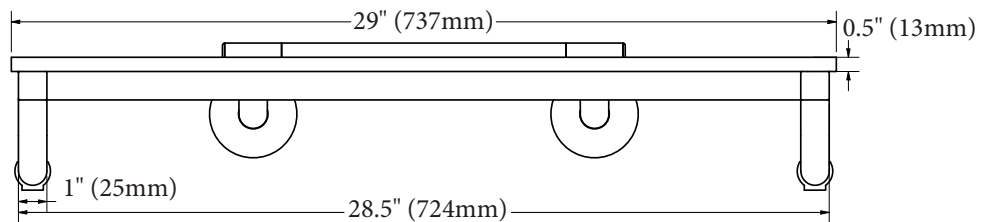
**Side  
(Folded Up)**



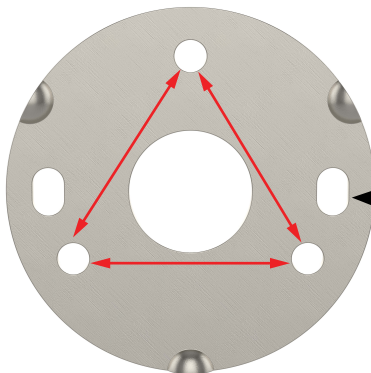
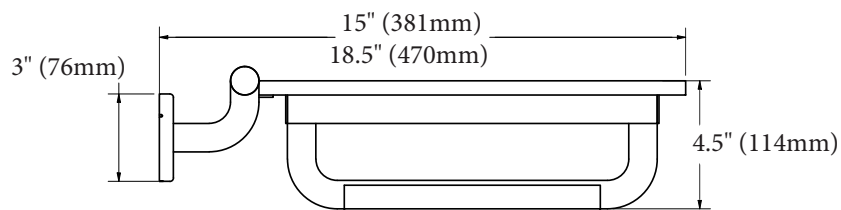
**Top**



**Front**



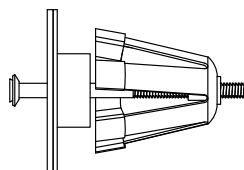
**Side**



**Slots for Speed Installation into WingIts® Fastener (GBW40)**

3 Circular holes for installation into Adequate Structural Blocking

**Optional Hardware**



WINGITS® Grab Bar Fastener (GBW40)  
(2)