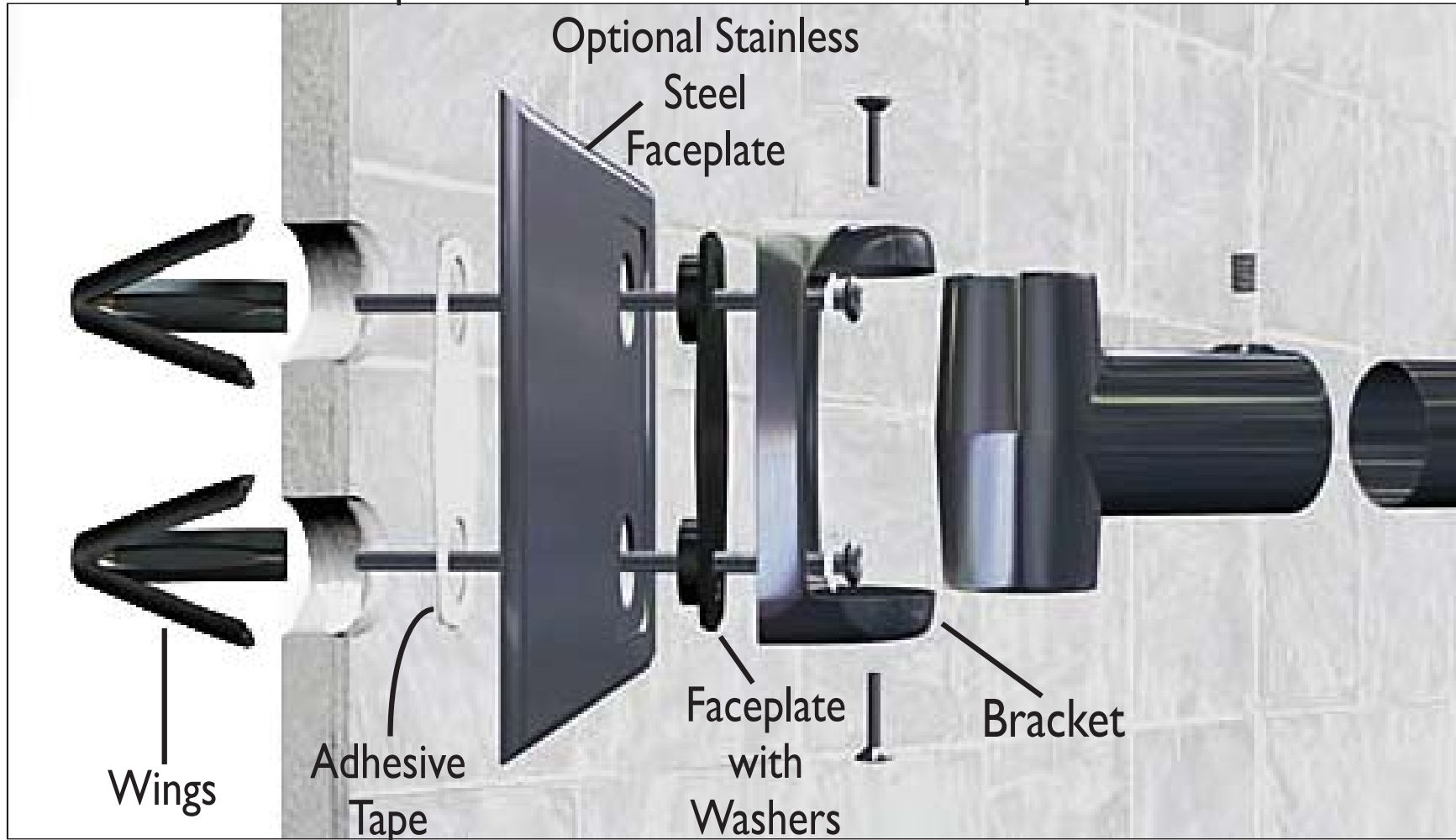


WINGITS' CURVED SHOWER ROD INSTALLATION GUIDE

expanded view with stainless steel faceplate



Each BAW30 Package contains:

- (4) 3" Stainless Steel Screws • (4) Wings
- (2) Faceplates with washers • (2) Waterproof Adhesive Tape

Wingits • Phone: 877-894-6448 • www.wingits.com

WINGITS' CURVED SHOWER ROD INSTALLATION GUIDE

1. Separate the pieces of the bracket and place the adhesive tape over the hole locations. Drill 3/4" holes in the proper locations matching the holes in the tape. For ceramic walls, use our **Industrial Carbide APACHE 200** 3/4" drill bit. (Rated up to 200 holes)
2. Assemble the Bath Accessory Winglt onto the bracket. If using the Stainless Steel Cover Plate, apply it prior to assembling the wings onto the screws.
3. Using a screw-gun, insert the Winglt into the drilled holes. Pushing wings through the wall will activate them and the faceplate will adhere to the wall. Hold the mounting bracket away from the wall and tighten screws.
4. Assemble the curved shower rod.