

### PRODUCT SPECIFICATIONS

Sensor Scrub/Handwash Wall Mount Faucet. Faucet has a flow rate of 2.0 GPM, and is made of Chrome Plated Brass material, with a Electronic Control Module valve. Faucet requires 1 faucet holes.

<b>Mounting Type:</b>	Wall Mount
<b>Special Features:</b>	Solid Brass Construction Hands free Sensor activated
<b>Finish:</b>	Chrome (CR)
<b>Handle Type:</b>	Sensor Operated (Hands Free)
<b>Deck Clearance:</b>	6-5/8"
<b>Spout Reach:</b>	7-1/2"
<b>Spout Height:</b>	10-7/8"
<b>Hole Drillings:</b>	1
<b>Material:</b>	Chrome Plated Brass
<b>Valve Type:</b>	Electronic Control Module
<b>Flow Rate:</b>	2.0 GPM
<b>Spout Swing Rotation:</b>	0°
<b>Spout Type:</b>	Fixed Spout

**Special Note:** in-line filter with clean out trap and flexible supply hose.



Chrome  
(CR)



**Included with Product:** AC plug-in and batter holder with four AA batteries

AMERICAN PRIDE. A LIFETIME TRADITION.

Like your family, the Elkay family has values and traditions that endure. For almost a century, Elkay has been a family-owned and operated company, providing thousands of jobs that support our families and communities.



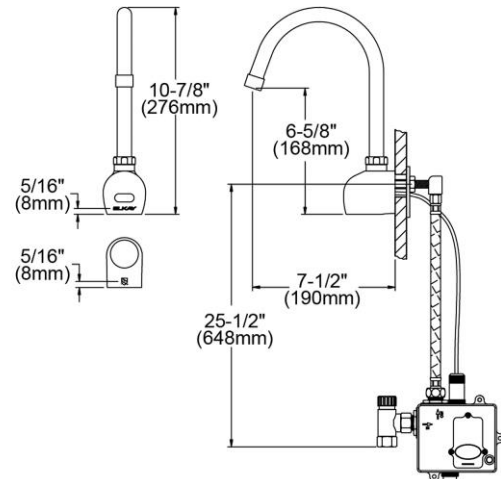
**Product Compliance:**

ADA & ICC A117.1  
ASME A112.18.1/CSA B125.1  
NSF 61  
NSF 372 (lead free)

[Clean and Care Manual \(PDF\)](#)

[Installation Instructions \(PDF\)](#)

[Limited Warranty \(PDF\)](#)



PART: \_\_\_\_\_ QTY: \_\_\_\_\_

PROJECT: \_\_\_\_\_

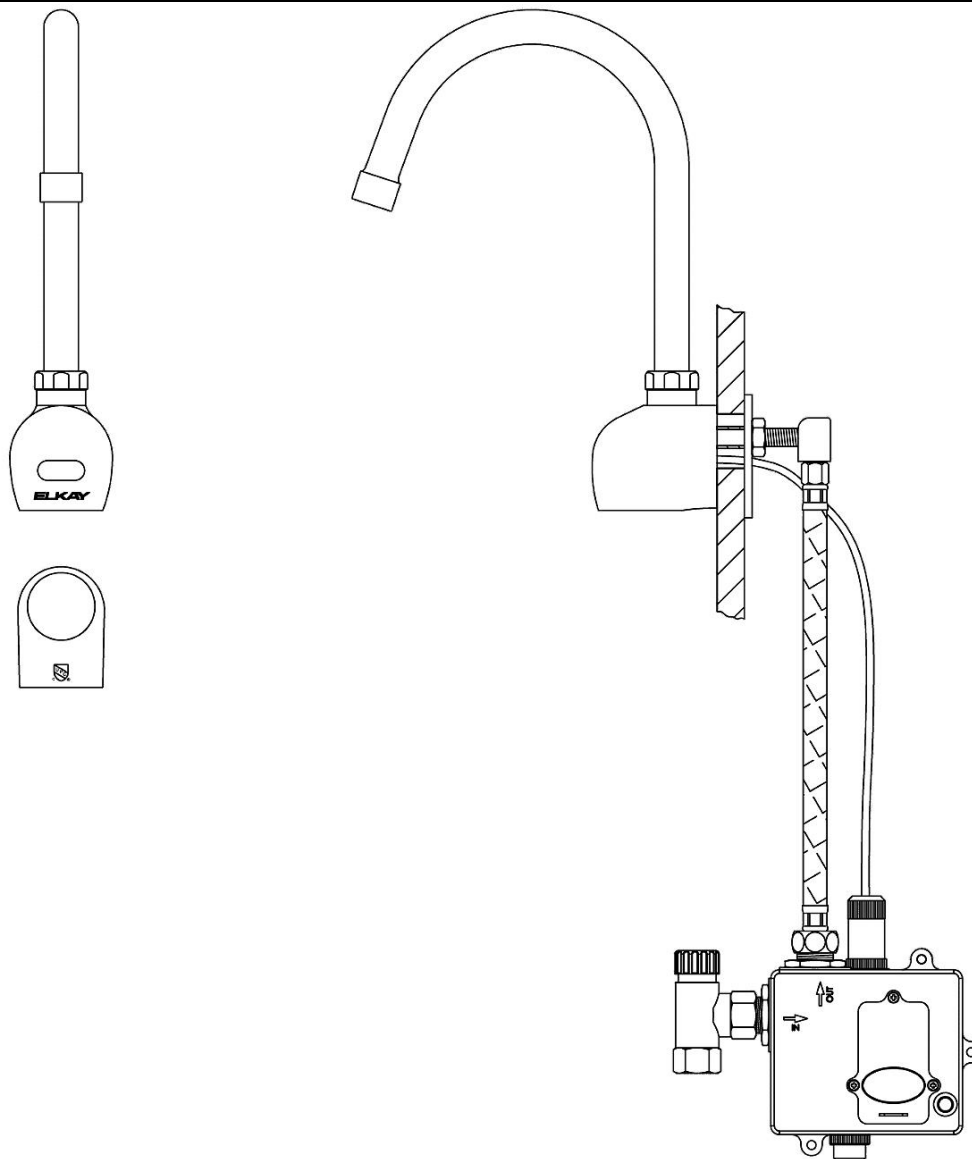
CONTACT: \_\_\_\_\_

DATE: \_\_\_\_\_

NOTES: \_\_\_\_\_

APPROVAL: \_\_\_\_\_

*In keeping with our policy of continuing product improvement, Elkay reserves the right to change product specifications without notice. Please visit [elkay.com](http://elkay.com) for the most current version of Elkay product specification sheets. This specification describes an Elkay product with design, quality, and functional benefits to the user. When making a comparison of other producers' offerings, be certain these features are not overlooked.*



PART NUMBER	NUMBER REQUIRED	PART DESCRIPTION
98539C	1	SOLENOID ASSEMBLY
98540C	1	PCB BOARD & SENSOR PLUG ASSEMBLY
98541C	1	SENSOR ASSEMBLY
98542C	1	AERATOR ASSEMBLY

*In keeping with our policy of continuing product improvement, Elkay reserves the right to change product specifications without notice. Please visit [elkay.com](http://elkay.com) for the most current version of Elkay product specification sheets. This specification describes an Elkay product with design, quality, and functional benefits to the user. When making a comparison of other producers' offerings, be certain these features are not overlooked.*