

# TurboVent™

» Air Admittance Valve



## Installation Savings

More cost-effective than the typical mix of fittings, hangers, pipe, and flashings when venting through the roof.

## Self-Cleaning

Actuator spins with each activation to clean the sealing surface.

## Engineered Performance

Positively seals with 13 PSIG of back pressure.

Single sealing surface reduces risk of inadequate seal.

## Tested & Certified

ASSE 1050 and 1051; IAPMO classified listing.

Supply

Drainage

Support

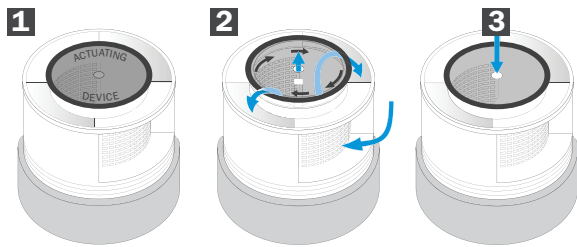
Specialties

[www.siouxchief.com](http://www.siouxchief.com)

TAKE THE FIELD.

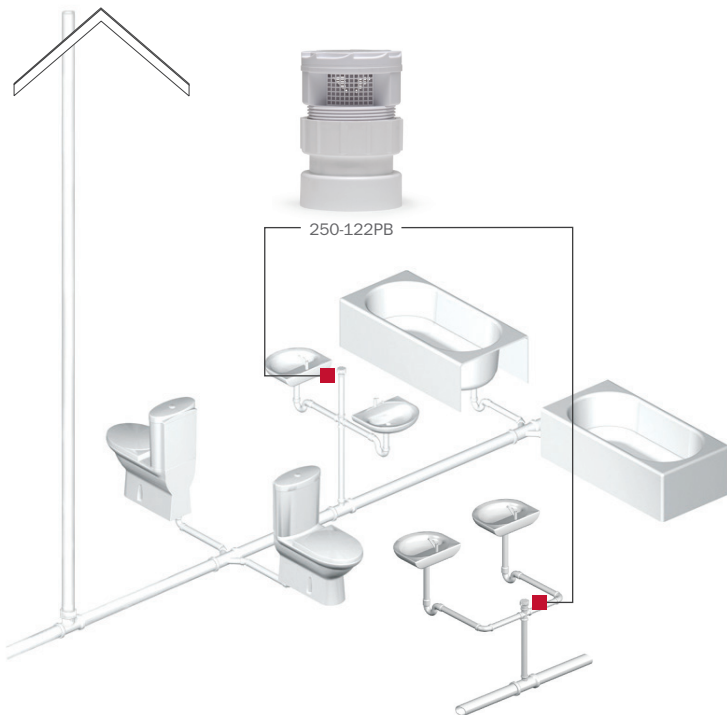


# How It Works

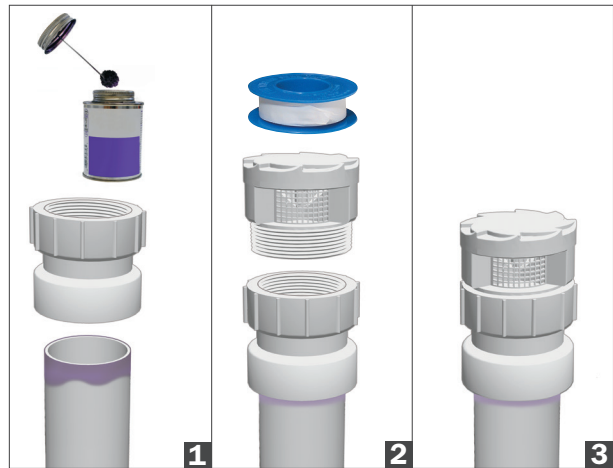


The TurboVent™ AAV is designed to allow air into the DWV system without allowing harmful sewer gas into a building, while also preventing siphonage of the trap seal.

1. Valve is normally closed, preventing the escape of sewer gas from the DWV system.
2. When waste water drains, it creates negative pressure in the DWV system, which lifts open the actuator within the AAV and allows air to enter the system. As the actuator is lifted, its turbine fins spin the device clockwise, cleaning the sealing surface upon each activation.
3. After the water has drained completely, the valve closes, preventing sewer gas from entering the living area.



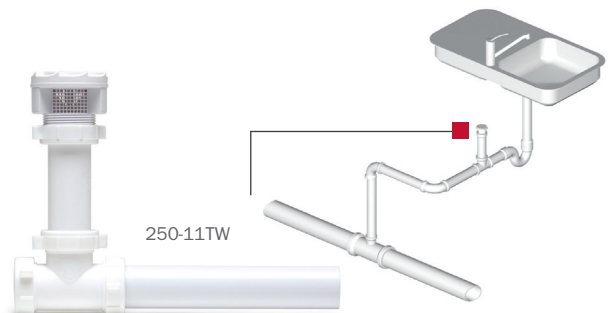
# Installation



1. Glue adapter to pipe.
2. Apply PTFE tape to threads.
3. Thread TurboVent™ into adapter.

## Installation Tips:

- Install in an area with adequate ventilation.
- Install in the upright position, not exceeding 15 degrees from vertical.
- Install in an accessible location for inspection and maintenance.
- Do not install outdoors.
- Do not subject AAV units to temperatures below -40° F or above 150° F.
- Install TurboVent™ at least 4" above the trap arm.
- Install TurboVent™ 6" above insulation for attic applications.
- Remove protective debris cover before first use and activation.
- Always use with at least one primary vent stack to the atmosphere.
- Use TurboVent™ on the same floor as the fixtures being vented. Connect to the horizontal drain line.



# Sizing & Technical

## » Drainage Fixture Unit (DFU) Value as Load Factors for Common Appliances

Automatic Clothes Washer	3 (Commercial) 2 (Residential)
Bathroom Group: Water closet (1.6 GPF), lavatory, bathtub or shower on the same floor level	5 6 (for 1.6+ GPF)
Dental Lavatory	1
Dish Washing Machine	2 (Residential)
Drinking Fountain	0.5
Bathtub with or without Shower	2
Kitchen Sink & Food Grinder	2
Laundry Tray (1 or 2 compartments)	2
Lavatory	1
Shower (5.7 GPM or less)	2
Sink or Service Sink	2
Urinal (1 GPF or less)	2
1-1/4" Trap Size	1
1-1/2" Trap Size	2
2" Trap Size	3
3" Trap Size	5
4" Trap Size	6

Source: 2018 IPC, Table 709.1 & Table 709.2  
See Code for proper Drain & Vent Computation of fixtures with intermittent flow.

## Sizing

TurboVent™ AAVs are sized to accommodate common **Drainage Fixture Unit (DFU)** requirements as marked on the top of each unit and listed on our buying information table. The TurboVent™ can be used in branch or stack venting applications.

Be sure to verify that the application is consistent with minimum standards for piping installations and drainage output of the appliance or fixture to be vented. Consult all local codes prior to installation.



1-1/2" CONNECTION



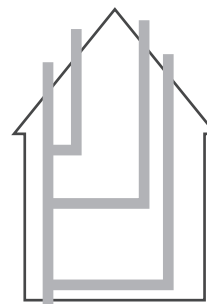
2" CONNECTION

## » Maximum Number of DFUs

Drain, Branch or Stack Size	Max. DFUs on Branch	Max. DFUs on Stack
1-1/2"	3	8
2"	6	24
3"	20	72
4"	160	500

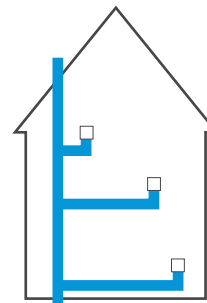
Source: 2018 IPC Table 710.1(2) "Horizontal Fixture Branches & Stacks."

## Traditional Venting vs. TurboVenting



Traditional Venting

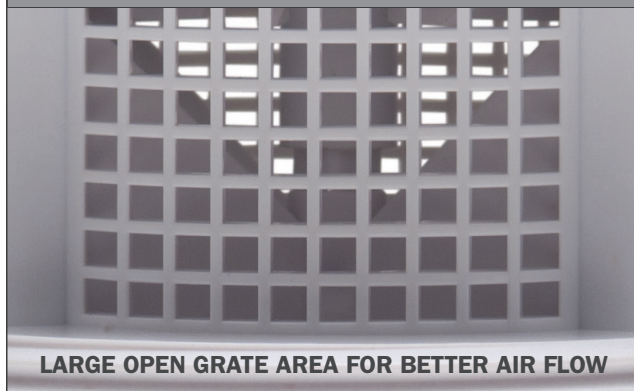
Traditionally, a network of DWV pipes, fittings and hangers have been used to vent every fixture or group of fixtures throughout a building. The vertical pipes penetrate through the roof in multiple locations to maintain trap seals, prevent pressure fluctuations and ensure the safety of the residents of the building.

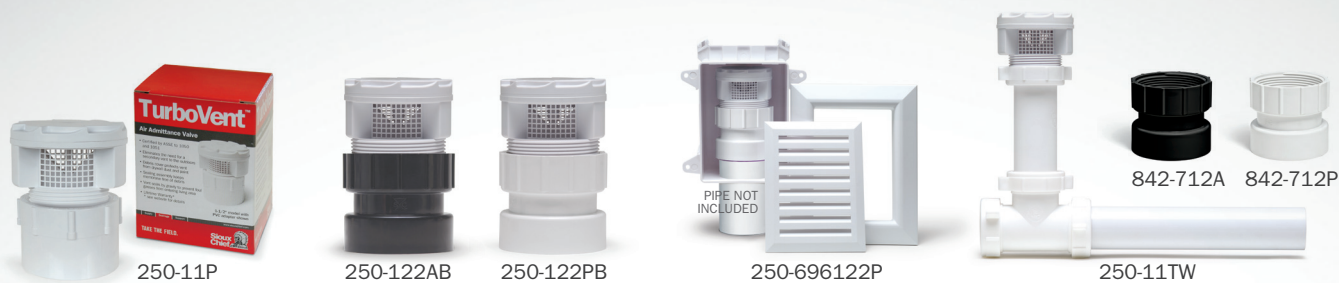


TurboVent™ Venting

Using a TurboVent™ on individual fixtures or groups of fixtures saves on costly labor and extra materials, with no sacrifice to the functioning of the drain, waste and venting system.

## » Fast Drainage





## Buying Information

ITEM NO.	DESCRIPTION	CONNECTION	MAX DFUs		MIN. QTY.	CASE QTY.
			STACK VENT	HORIZONTAL BRANCH		
<b>TurboVent™ LESS ADAPTER - MIP THREAD CONNECTION</b>						
250-11	TurboVent™ – Contractor Pack 6/Bag	1-1/2"	8	20	1	4
250-12	TurboVent™ – Contractor Pack 6/Bag	2"	24	160	1	4
<b>TurboVent™ with ABS SCH. 40 HUB ADAPTER</b>						
250-11A	TurboVent™ – Individually Boxed	1-1/2"	8	20	1	6
250-11AC	TurboVent™ – Contractor Pack 6/Bag	1-1/2"	8	20	1	8
250-12A	TurboVent™ – Individually Boxed	2"	24	160	1	6
250-12AC	TurboVent™ – Contractor Pack 6/Bag	2"	24	160	1	8
250-122AB	TurboVent™ with Dual-Fit Adapter – Bulk	1-1/2" x 2"	8/24 <sup>1</sup>	20/160 <sup>2</sup>	50	50
250-122AC	TurboVent™ with Dual-Fit Adapter – Contractor Pack 6/Bag	1-1/2" x 2"	8/24 <sup>1</sup>	20/160 <sup>2</sup>	1	8
250-11TB	TurboVent™ with Tubular Waste Arm Extension	1-1/2"	8	20	1	6
250-696122A	TurboVent™ with Dual-Fit Adapter & OxBox™ Kit <sup>3</sup>	1-1/2" x 2"	8/24 <sup>1</sup>	20/160 <sup>2</sup>	1	6
250-696R122A	TurboVent™ with Dual-Fit Adapter & Fire-Rated OxBox™ Kit <sup>3</sup>	1-1/2" x 2"	8/24 <sup>1</sup>	20/160 <sup>2</sup>	1	6
696-11A	TurboVent™ with OxBox™ Kit <sup>3</sup>	1-1/2"	8	20	1	6
696-12A	TurboVent™ with OxBox™ Kit <sup>3</sup>	2"	24	160	1	6
<b>TurboVent™ with PVC SCH. 40 HUB ADAPTER</b>						
250-11P	TurboVent™ Individually Boxed	1-1/2"	8	20	1	6
250-11PC	TurboVent™ Contractor Pack 6/Bag	1-1/2"	8	20	1	8
250-11TW	TurboVent™ with Tubular Waste Arm Extension	1-1/2"	8	20	1	6
250-12P	TurboVent™ Individually Boxed	2"	24	160	1	6
250-12PC	TurboVent™ Contractor Pack 6/Bag	2"	24	160	1	6
250-122P	TurboVent™ with Dual-Fit Adapter – Individually Boxed	1-1/2" x 2"	8/24 <sup>1</sup>	20/160 <sup>2</sup>	1	6
250-122PB	TurboVent™ with Dual-Fit Adapter – Bulk	1-1/2" x 2"	8/24 <sup>1</sup>	20/160 <sup>2</sup>	50	50
250-122PC	TurboVent™ with Dual-Fit Adapter – Contractor Pack 6/Bag	1-1/2" x 2"	8/24 <sup>1</sup>	20/160 <sup>2</sup>	1	8
250-696122P	TurboVent™ with OxBox™ Kit <sup>3</sup>	1-1/2" x 2"	8/24 <sup>1</sup>	20/160 <sup>2</sup>	1	6
250-696R122P	TurboVent™ with Dual-Fit Adapter & Fire Rated OxBox™ Kit <sup>3</sup>	1-1/2" x 2"	8/24 <sup>1</sup>	20/160 <sup>2</sup>	1	6
696-11P	TurboVent™ with OxBox™ Kit <sup>3</sup>	1-1/2"	8	20	1	6
696-12P	TurboVent™ with OxBox™ Kit <sup>3</sup>	2"	24	160	1	6
<b>ACCESSORIES</b>						
696-7	OxBox™ – Single Box with Hole For 2" Sch. 40 Pipe	–	–	–	10	10
696-1F	Single Frame For OxBox™	–	–	–	10	10
696-LC	Louvered Cover for OxBox™	–	–	–	10	10
842-712A	ABS 1-1/2" – 2" Hub X 2" FIP Dual-Fit Adapter	1-1/2" x 2"	–	–	10	10
842-712P	PVC 1-1/2" – 2" Hub X 2" FIP Dual-Fit Adapter	1-1/2" x 2"	–	–	10	10

<sup>1</sup> 8 DFU when on 1-1/2" pipe, 24 DFU when on 2" pipe

<sup>2</sup> 20 DFU when on 1-1/2" pipe, 160 DFU when on 2" pipe

<sup>3</sup> Kit includes OxBox™, frame and louvered cover

