

LAVATORY CARRIER



520 SERIES

CONCEALED ARM CARRIER WITH PIPE UPRIGHTS
WELDED BASE FEET & SUPPORT HARDWARE.

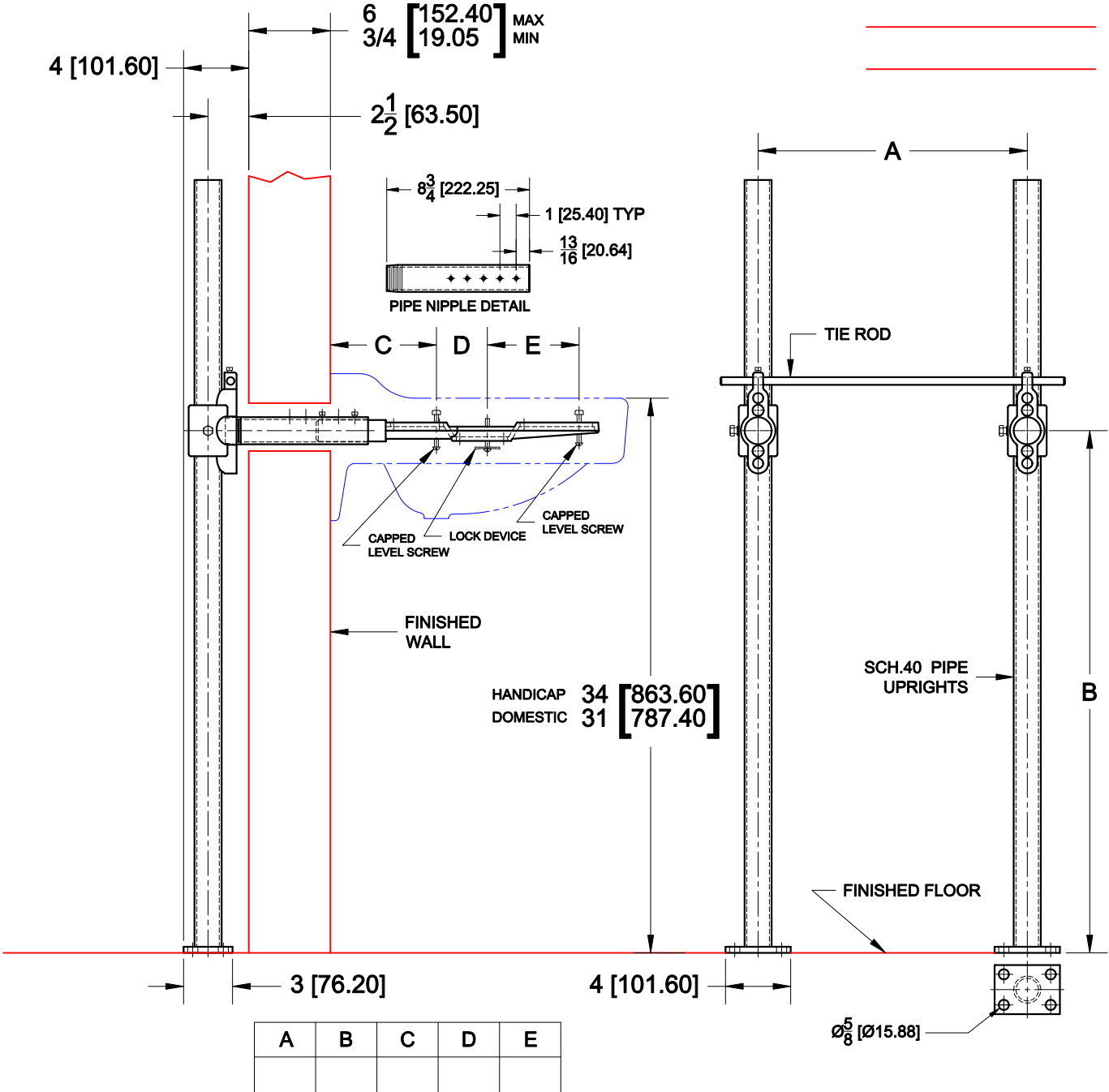
PIPE NIPPLE MAY REQUIRE FIELD CUT
FOR MINIMUM WALL THICKNESS.

FIXTURE

Manufacturer _____

Name _____ No. _____

Style _____



LETTER DIMENSIONS VARY ACCORDING TO FIXTURE USED

OPTIONS

Cat. No.	Type	Wt. Lbs.	Suffix	Description
<input type="checkbox"/> 520-07	Single	36.0	<input type="checkbox"/> M25	EXTRA LONG REAR LEVELING SCREWS
<input type="checkbox"/> 520-08	Single	36.0	<input type="checkbox"/> M36	RECTANGULAR STEEL UPRIGHTS
<input type="checkbox"/> 520-09	Single	36.0		

AutoCad.dwg