

# FIGURE 7012 HANGERS



## FELT LINED ADJUSTABLE SWIVEL RING HANGER

### FEATURES

- Color: Zinc
- Finish: Epoxy Plated
- Hanger body: Carbon Steel ASTM A36
- NFPA Rod: Sizes 1/2" to 4"\*
- UL Approved: Sizes 1/2" to 4"
- FM Approved: Sizes 3/4" to 4"

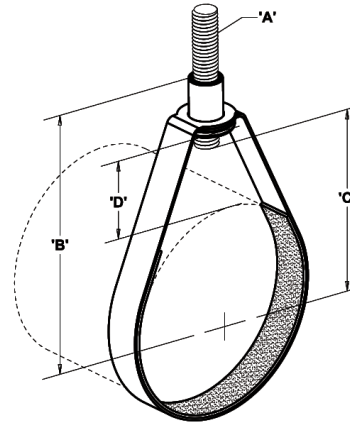
### PRODUCT SPECIFICATIONS

#### Standards

- Design: MSS SP-58, Type 10
- Federal Specification: WW-H-171, Type 10
- NFPA 13

\* For 2-1/2" to 4" hangers with NFPA rod sizes, use figure number 7012N

**Note:** A - Rod size (hanger rod not included), B - Center of pipe to top of knurled hanger rod nut, C - Rod take out (center of pipe to bottom of hanger rod), D - Top of pipe to bottom of hanger rod nut



### DIMENSIONS

Catalog Number	Pipe Size		A Rod Size	B		C		D		Design Load		Weight
	in.	mm		in.	mm	in.	mm	in.	mm	lbs	kN	lbs
FNW7012EP0050	1/2	21.3	3/8-16UNC	2-7/32	56.36	25/32	19.8	7/8	22.2	300	1.33	0.089
FNW7012EP0075	3/4	26.6	3/8-16UNC	2-7/16	61.91	1-1/32	26.2	1-3/32	27.8	300	1.33	0.095
FNW7012EP0100	1	33.4	3/8-16UNC	2-5/8	66.68	1-7/32	31.0	1-3/16	30.2	300	1.33	0.100
FNW7012EP0125	1-1/4	42.1	3/8-16UNC	2-25/32	70.64	1-3/8	34.9	1-5/32	29.4	300	1.33	0.112
FNW7012EP0150	1-1/2	48.2	3/8-16UNC	2-7/8	73.03	1-7/16	36.5	1-3/32	27.8	300	1.33	0.121
FNW7012EP0200	2	60.3	3/8-16UNC	3-1/32	76.99	1-19/32	40.5	1-1/32	26.2	300	1.33	0.130
FNW7012EP0250	2-1/2	73	1/2-13UNC	3-31/32	100.81	2-9/16	65.1	1-23/32	43.7	1000	2.34	0.323
FNW7012EP0300	3	88.9	1/2-13UNC	4-15/32	113.51	3-1/16	77.8	1-15/16	49.2	1000	2.34	0.359
FNW7012EP0400	4	114.3	5/8-11UNC	5-9/32	134.14	3-27/32	97.6	2-3/16	55.6	1100	2.89	0.474
FNW7012NEP0250*	2-1/2	73	3/8-16UNC	3-31/32	100.81	2-9/16	65.1	1-23/32	43.7	525	2.34	0.323
FNW7012NEP0300*	3	88.9	3/8-16UNC	4-15/32	113.51	3-1/16	77.8	1-15/16	49.2	525	2.34	0.359
FNW7012NEP0400*	4	114.3	3/8-16UNC	5-9/32	134.14	3-27/32	97.6	2-3/16	55.6	650	2.89	0.474