

76-100 SERIES

STAINLESS STEEL BALL VALVE W/ MOUNTING PAD
1/4" - 1"



Female NPT Thread, 2000 CWP (psig). Cold Non-Shock. (See referenced P/T chart)
150 psig Saturated Steam.
Vacuum Service to 29 inches Hg.
MSS SP-110 Compliant.

FEATURES

- Investment cast components
- Reinforced seats
- Mounting pad for easy actuator mounting
- Blowout-proof stem design
- Adjustable packing gland
- Stainless steel lever and nut

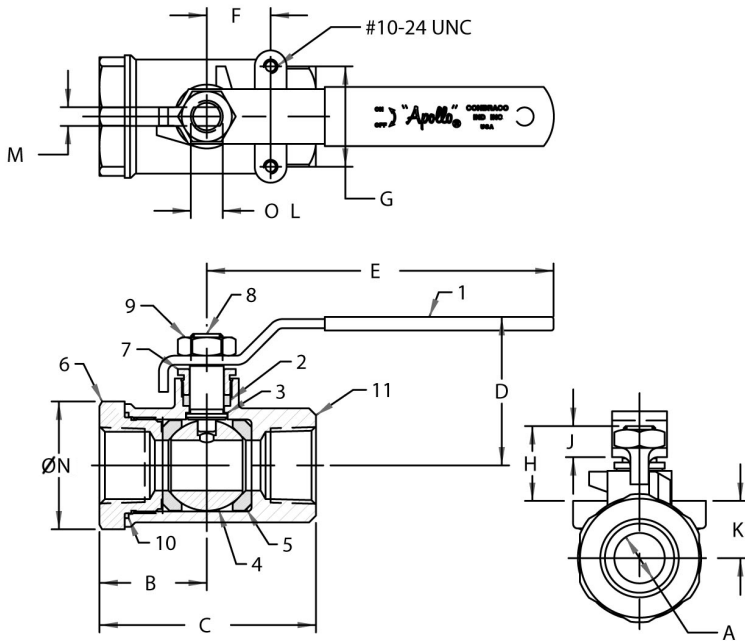
- Fire safe to API 607 (requires -24 suffix)
- Meets NACE MR0175 (2000) & MR0103 (2012)
- CSA CGA 3.16-M88 (Requires "GS" suffix)
- NSF/ANSI/CAN 61 Section 8, Annex G
- NSF/ANSI 372 - Drinking Water System Components - Lead Content

OPTIONS AVAILABLE

(MORE INFORMATION IN SECTION J)

- Minimum quantities apply
- To specify an option, replace the "01" standard suffix with the suffix of the option.
- To specify multiple options, replace the "01" suffix with the desired suffixes in the numerical order shown below. NOTE: Not all suffixes can be combined together.

(SUFFIX)	OPTION	SIZES
-01	Standard Configuration	All
-P-01	BSPP (Parallel) Thread Connection	All
-T-01	BSPT (Tapered) Thread Connection	All
-02-	Stem Grounded	All
-04-	2-1/4" Stem Extension (Carbon Steel, Zinc Plated)	All
-07-	Steel Tee Handle	All
-08-	90° Reversed Stem	All
-14-	Side Vented Ball (Uni-Directional)	All
-15-	Wheel Handle, Steel	All
-16-	Chain Lever - Vertical	3/4" to 2"
-19-	Lock Plate	All
-21-	UHMWPE Trim (Non-PTFE)	All
-24-	Graphite Packing, PTFE Body Seal, RPTFE Bearing (API 607, 6th Edition, ISO 10497:2010)	All
-27-	SS Latch-Lock Lever & Nut	All
-30-	Cam-Lock and Grounded	All
-32-	SS Tee Handle & Nut	All
-35-	PTFE Trim	All
-39-	SS Hi-Rise Locking Wheel Handle, SS Nut	All
-40-	Cyl-Loc and Grounded	All
-44-	Seal Welded	All
-45-	Less Lever & Nut	All
-46-	Latch Lock Lever - Lock in Closed Position Only	All
-47-	SS Latch Lock Oval Handle	All
-48-	SS Oval Handle (No Latch) & Nut	All
-49-	No Lubrication. Assembled Dry.	All
-50-	2-1/4" CS Locking Stem Extension	All
-57-	Oxygen Cleaned	All
-58-	Chain Lever - Horizontal	3/4" to 2"
-60-	Static Grounded Ball & Stem	All
-64-	250# Steam Trim (MPTFE Seats & Packing)	All
-GS-	CSA CGA 3.16	All
-UA-	AIS (American Iron & Steel) Compliant	All



STANDARD MATERIAL LIST

PART	MATERIAL	
1	Lever and grip	304 SS w/vinyl
2	Stem packing	MPTFE
3	Stem bearing	RPTFE
4	Ball	A276-316 Stainless Steel
5	Seat (2)	RPTFE
6	Retainer	A351-CF8M SS or A276-316 SS
7	Gland nut	A276-316 Stainless Steel
8	Stem	A276-316 Stainless Steel
9	Lever nut	18-8 Stainless Steel
10	Body seal	PTFE
11	Body	A351-CF8M Stainless Steel

DIMENSIONS

PART NO.	SIZE	A	B	C	D	E	F	G	H	J	K	L	M	N	WT.
76-101-01A	1/4"	0.37	1.02	2.05	1.71	3.85	0.50	1.12	0.88	0.34	0.53	0.375	0.234	1.16	0.58
76-102-01A	3/8"	0.37	1.02	2.05	1.71	3.85	0.50	1.12	0.88	0.34	0.53	0.375	0.234	1.16	0.55
76-103-01A	1/2"	0.50	1.12	2.23	1.79	3.85	0.50	1.12	0.90	0.34	0.59	0.375	0.234	1.38	0.63
76-104-01A	3/4"	0.68	1.47	2.96	2.03	4.75	0.87	1.37	1.02	0.42	0.78	0.437	0.256	1.75	1.30
76-105-01A	1"	0.87	1.67	3.34	2.16	4.75	0.87	1.37	1.02	0.42	0.91	0.437	0.256	1.94	1.60

Pressure/Temperature Ratings - Page M-14, Graph No. 14

*LEAD FREE: The wetted surfaces of this product shall contain no more than 0.25% lead by weighted average. Complies with Federal Public Law 111-380. ANSI 3rd party approved and listed.
REV. 18JUL19