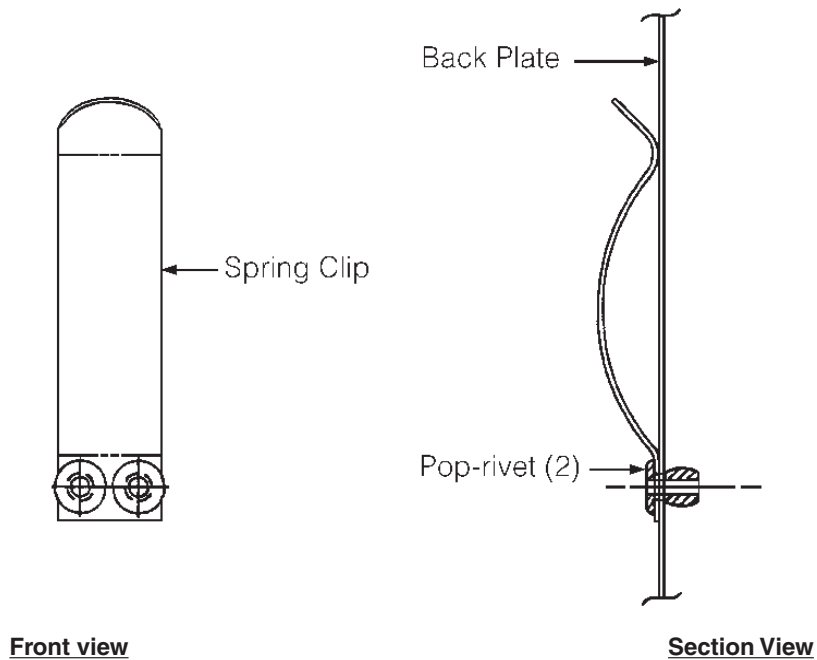


INSTALLATION INSTRUCTIONS

BOBRICK SPRING CLIP REPLACEMENT KIT, PART NO. 43944-42



1. Locate the new spring clip with two holes in the same position and orientation as the spring clip which came off of the back plate. The location should be visibly identifiable by noting spotweld dimples. The two holes in the clip should be in the same general location as the spotweld dimples.
 2. Mark the location of the two holes on the back plate with a pencil using the new spring clip as a template.
 3. Drill (2) holes per spring clip being replaced, #30 bit, .130" (3.3mm) dia., where the locations are marked.
 4. Attach the spring clip to the back plate with the two pop-rivets provided, using a pop-rivet tool.
- NOTE:** A small clearance hole may be needed behind the unit to clear the tip of the pop-rivet protrusions.

