

# MITSUBISHI ELECTRIC OPTIONAL PARTS 2-BRANCH PIPE(JOINT) (MSDD-50AR-E)



Applicable model
MXZ-8A/8B Series(R410A type)

※In case of 2 branch box connection for flare connection

## 1 The kit contains following

①Manual	②Liquid pipe (small:φ9.52)	③Gas pipe (large:φ15.88)	④Heat-insulation cover(small)	⑤Heat-insulation cover(large)
This one-sheet manual	X1	X1	X1	X1

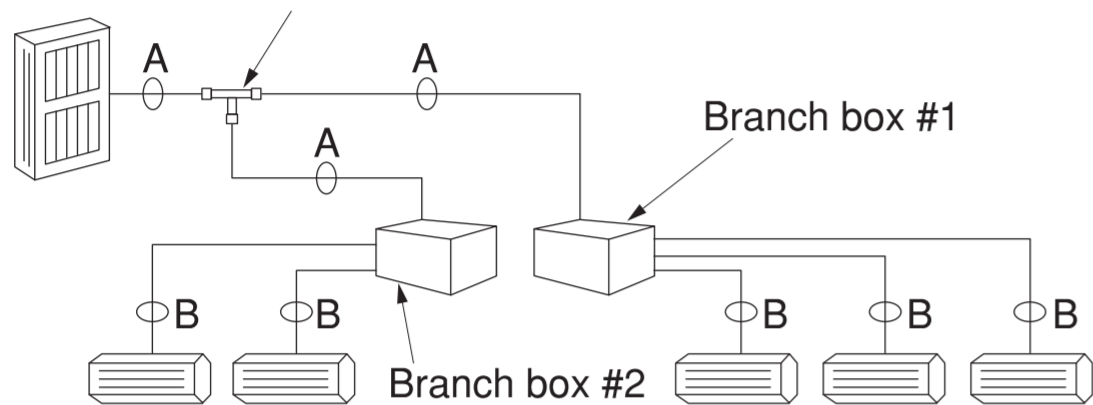
Note: Besides these, please procure the following locally:  
(1)Tape for sealing the heat insulation covers.  
(2)Extension pipes for the refrigerant system.

## 2 During installation, be careful about the following

- Note the limit length of the refrigerant pipe refer to the installation manual of outdoor unit and branch box.
- Note the limits for installing the indoor units refer to the installation manual of outdoor unit and branch box.
- In connecting pipes, take care not to let any dirt or other foreign matter enter any pipe.
- Put a heat insulator into every refrigerant pipe.

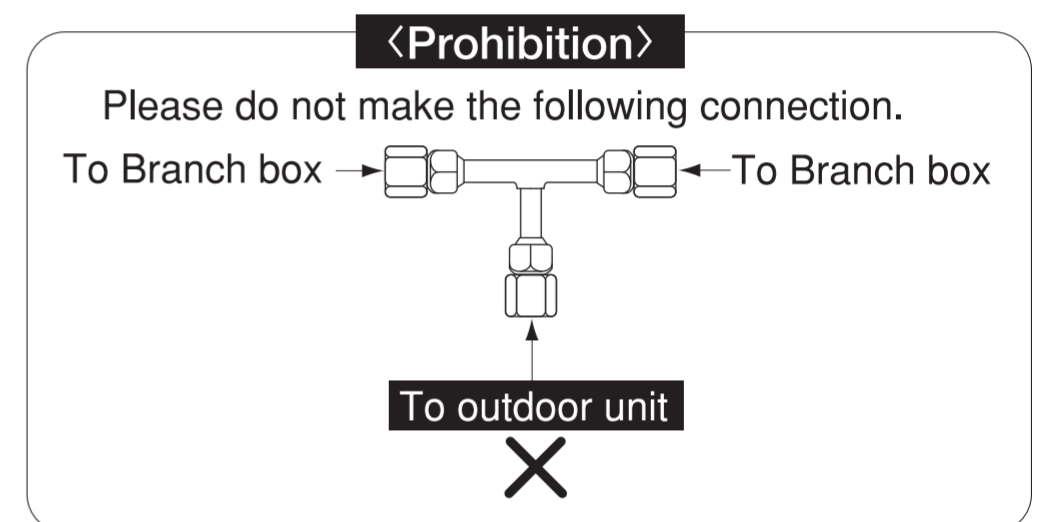
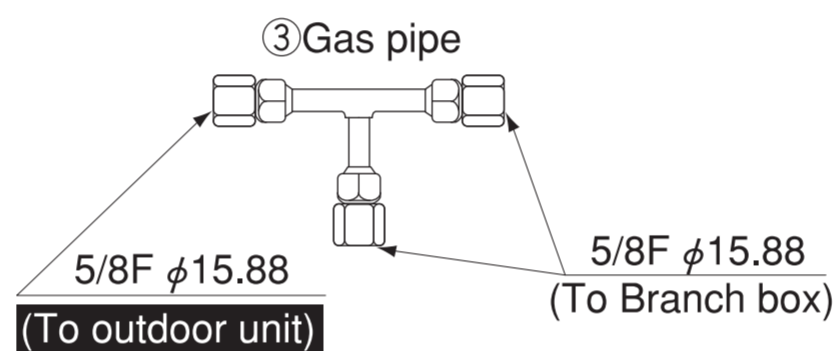
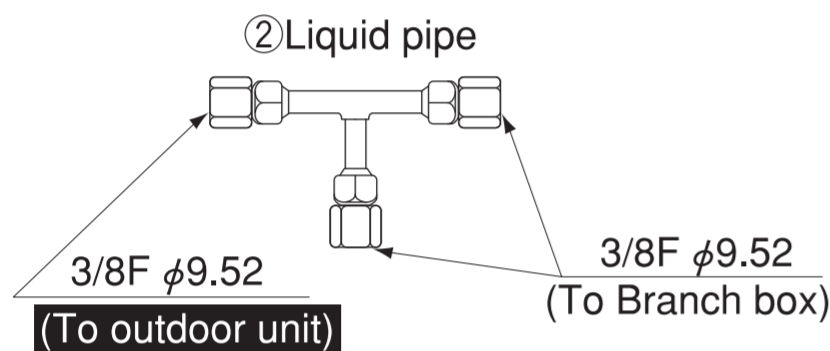
## 3 Outline of system and pipe size

Outdoor unit 2branches pipe(joint):optional part explained by this manual

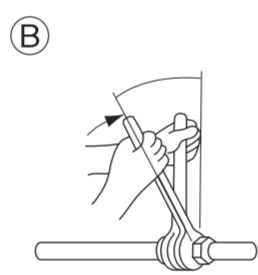
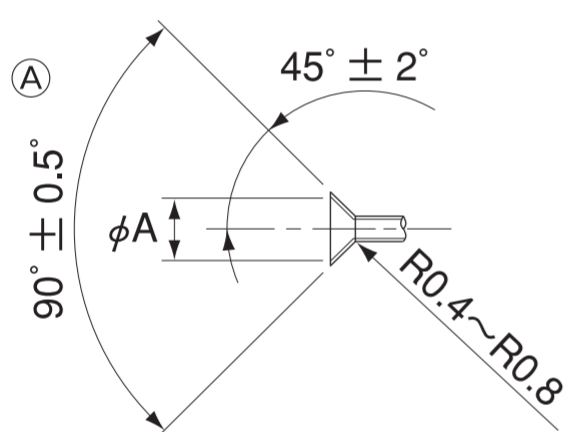


	A	B
Liquid(mm)	φ9.52	Refer to installation manual of outdoor unit and branch box
Gas(mm)	φ15.88	

## 4 See the following for the specifications of liquid pipe②, and gas pipe③



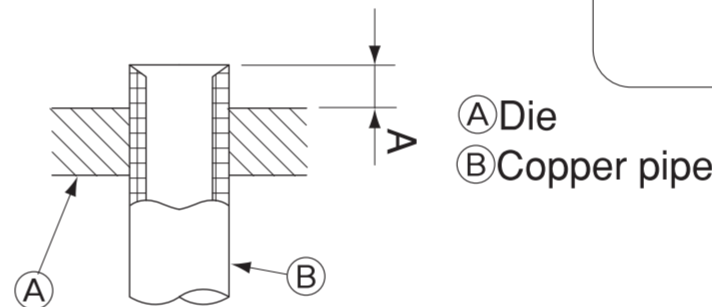
## 5 Installing the refrigerant piping



- (A) Flare cutting dimensions  
(B) Flare nut tightening torque

Copper pipe O.D. (mm)	Flare dimensions φA dimensions (mm)
φ9.52	12.8-13.2
φ15.88	19.3-19.7

Copper pipe O.D. (mm)	Flare nut O.D. (mm)	Tightening torque (N·m)
φ9.52	22	34-32
φ15.88	29	68-82



- When bending the pipes, be careful not to break them. Bend radii of 100mm to 150mm are sufficient.
- Make sure the pipes do not contact the compressor. Abnormal noise or vibration may result.

- Pipes must be connected starting from the indoor unit. Flare units must be tightened with a torque wrench.
- Flare the liquid pipes and gas pipes and apply a thin layer of refrigeration oil (Applied on site).
  - When usual pipe sealing is used, refer to Table 1 for flaring of R410A refrigerant pipes.
  - The size adjustment gauge can be used to confirm A measurements.

Table 1

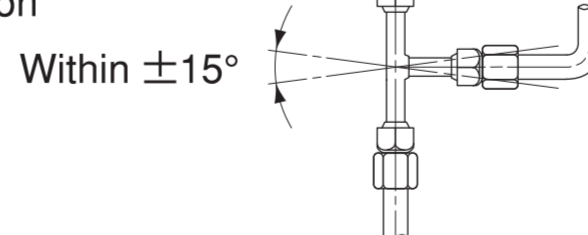
Copper pipe O.D. (mm)	A (mm)	
	Flare tool for R410A	Flare tool for R22-R407C
φ9.52(3/8")	Clutch type	
φ9.52(3/8")	0-0.5	1.0-1.5
φ15.88(5/8")	0-0.5	1.0-1.5

## 6 Installation direction of joint

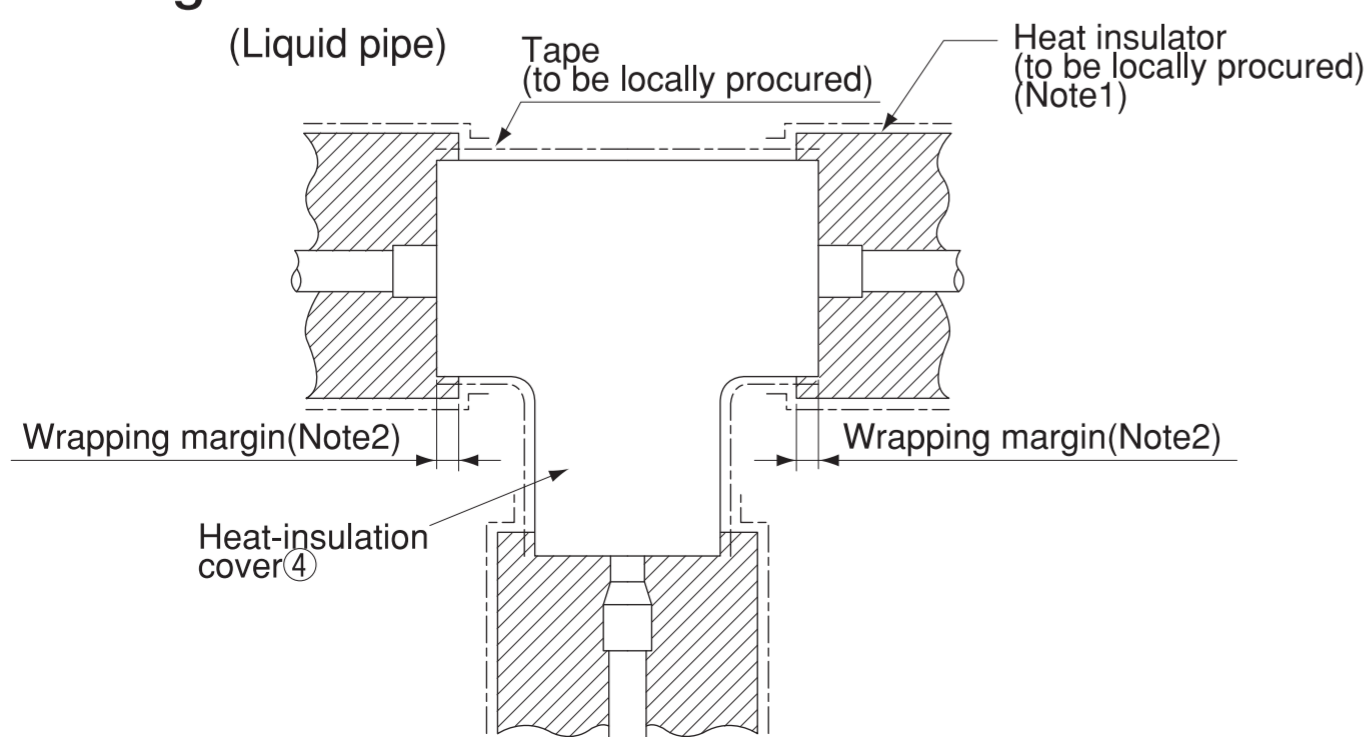
Horizontal direction



Vertical direction



## 7 Installing Heat Insulation Cover and Heat Insulators



- The liquid pipe (small:φ9.52) ②Make it fit the heat-insulation cover(small)④. Seal the mating of the heat-insulation cover ④with the tape for sealing heat insulators (to be locally procured).

- Do the same with the gas pipe (large:φ15.88) ③, using the heat-insulation cover⑤ (large), as with the liquid pipe (small).

Note 1 : Install a heat insulator on every part of the refrigerant pipes (to be locally procured).  
If you want to use commercially-available heat insulators, use heat-resistant heat insulators (at least 15mm thick).

Note 2 : The pipe covers shrink a little under high heat.  
Therefore, allow for some wrapping margin in the heat insulators.