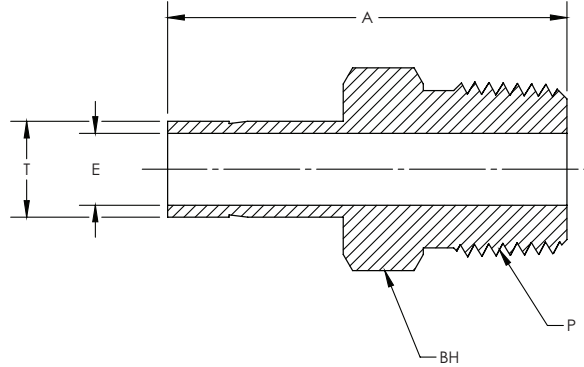
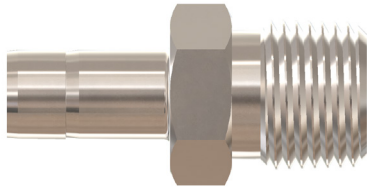


DATPM/SATPM

Adapter Tube to Male Pipe



CBC PART NUMBER	INTERCHANGES WITH	CS PART NUMBER	INTERCHANGES WITH	T TUBE O.D.	P PIPE END NPT	A	E THRU HOLE	BH BODY HEX	
2-DATPM-2	2-TA-1-2	2MA2N	2-SATPM-2	2-2 T2HF	1/8	1/8	1.16	0.08	7/16
2-DATPM-4	2-TA-1-4	2MA4N	2-SATPM-4	2-4 T2HF	1/8	1/4	1.37	0.08	9/16
4-DATPM-2	4-TA-1-2	4MA2N	4-SATPM-2	4-2 T2HF	1/4	1/8	1.25	0.17	7/16
4-DATPM-4	4-TA-1-4	4MA4N	4-SATPM-4	4-4 T2HF	1/4	1/4	1.46	0.17	9/16
4-DATPM-6	4-TA-1-6	4MA6N	4-SATPM-6	4-6 T2HF	1/4	3/8	1.49	0.17	11/16
4-DATPM-8	4-TA-1-8	4MA8N	4-SATPM-8	4-8 T2HF	1/4	1/2	1.71	0.17	7/8
5-DATPM-4	5-TA-1-4	5MA4N	5-SATPM-4	5-4 T2HF	5/8	1/4	1.50	0.22	9/16
6-DATPM-2	6-TA-1-2	6MA2N	6-SATPM-2	6-2 T2HF	3/8	1/8	1.32	0.19	7/16
6-DATPM-4	6-TA-1-4	6MA4N	6-SATPM-4	6-4 T2HF	3/8	1/4	1.55	0.27	9/16
6-DATPM-6	6-TA-1-6	6MA6N	6-SATPM-6	6-6 T2HF	3/8	3/8	1.56	0.27	11/16
6-DATPM-8	6-TA-1-8	6MA8N	6-SATPM-8	6-8 T2HF	3/8	1/2	1.78	0.27	7/8
8-DATPM-4	8-TA-1-4	8MA4N	8-SATPM-4	8-4 T2HF	1/2	1/4	1.75	0.28	9/16
8-DATPM-6	8-TA-1-6	8MA6N	8-SATPM-6	8-6 T2HF	1/2	3/8	1.78	0.38	11/16
8-DATPM-8	8-TA-1-8	8MA8N	8-SATPM-8	8-8 T2HF	1/2	1/2	2.00	0.38	7/8
8-DATPM-12	8-TA-1-12	-	8-SATPM-12	8-12 T2HF	1/2	3/4	2.00	0.38	1 1/16
10-DATPM-6	-	-	10-SATPM-6	-	5/8	3/8	1.84	0.38	11/16
10-DATPM-8	10-TA-1-8	10MA8N	10-SATPM-8	10-8 T2HF	5/8	1/2	2.06	0.47	7/8
12-DATPM-8	12-TA-1-8	12MA8N	12-SATPM-8	12-8 T2HF	3/4	1/2	2.06	0.47	7/8
12-DATPM-12	12-TA-1-12	12MA12N	12-SATPM-12	12-12 T2HF	3/4	3/4	2.06	0.58	1 1/16
12-DATPM-16	12-TA-1-16	12MA16N	12-SATPM-16	12-16 T2HF	3/4	1	2.32	0.58	1 3/8
14-DATPM-8	-	-	14-SATPM-8	-	7/8	1/2	2.13	0.47	15/16
16-DATPM-12	16-TA-1-12	16MA12N	16-SATPM-12	16-12 T2HF	1	3/4	2.31	0.63	1 1/16
16-DATPM-16	16-TA-1-16	16MA16N	16-SATPM-16	16-16 T2HF	1	1	2.60	0.80	1 3/8

NOTE: Dimensions subject to change, to be used for reference only.