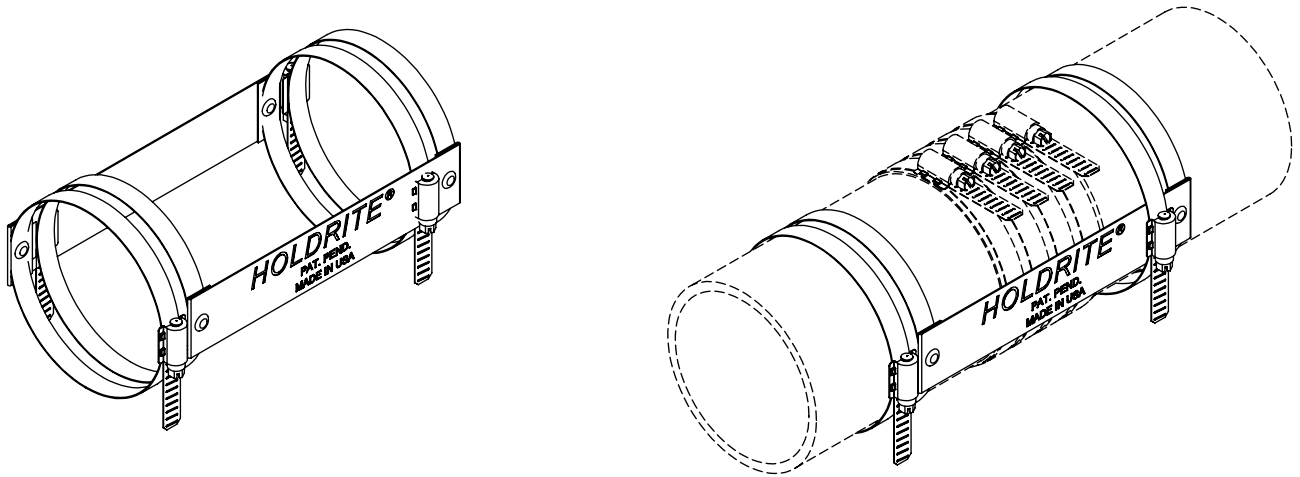


# PRODUCT SPECIFICATION DRAWING

## HOLDRITE® #117-S Series No-Hub Fitting Restraints



#117-4S Shown

THE HOLDRITE® #117 Series No-Hub Fitting Restraints are designed to reinforce no-hub cast iron installations in accordance with the installation instructions of U.S. cast iron soil pipe manufacturers and the 2006 CISPI Installation Handbook. The #117-3S thru #117-8S (3" - 8" pipe size) restraints retain a straight coupling joint. All four stainless steel bands must be tightened to 60 in/lbs minimum. When installed correctly, these restraint brackets achieve a safe thrust pressure rating equal to 50' head of water pressure.

**NOTE:**

While these restraint kits aid in compliance with the 2006 CISPI Handbook, they are not intended to suggest that no-hub pipe and fittings should be subjected to pressures in excess of the pipe manufacturers' recommendations.

**Product Information:**

- Material:
  - Strap: 24GA, CRS, Galvanized Steel
  - Bands: Stainless steel body, band & screw
- Torque: 60 in/lbs. minimum on bands
- Patent pending
- Thrust force restraint test data available upon request

THIS INFORMATION IS PROPRIETARY TO HOLDRITE AND IS SUBJECT TO CHANGE WITHOUT NOTICE. IT MAY NOT BE REPRODUCED IN PART OR WHOLE WITHOUT WRITTEN AUTHORIZATION.



CONVERTING MAKESHIFT METHODS INTO ENGINEERED SOLUTIONS<sup>SM</sup>  
 800-321-0316 OR 760-744-6944 / FAX: 760-744-0507 / WWW.HOLDRITE.COM  
 spec\_117-S\_Series\_RevD

Product Submittal	
Job Name:	
Date:	
Part Number:	Qty:
Architect / Owner:	
Contractor:	
Notes:	