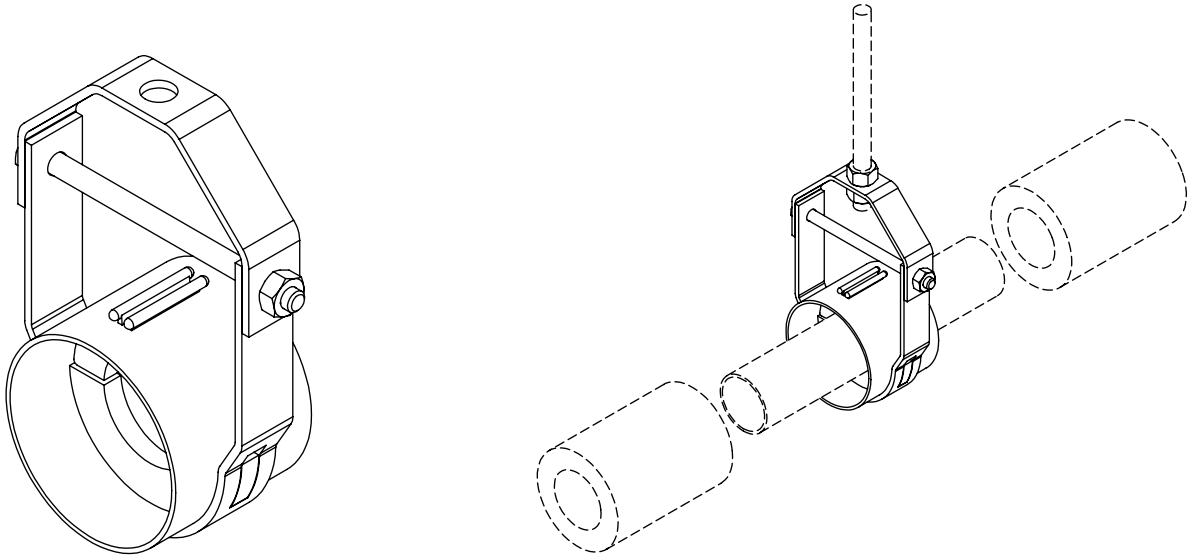


# PRODUCT SPECIFICATION DRAWING

## HOLDRITE® Insulation Coupling Clevis System



**THE HOLDRITE® Insulation Coupling Clevis System Hanger provides ideal support for insulated pipe lines. These clevis hangers allow insulation to but up to each side of the insert and eliminate the need for rigid insulation inserts or insulation shields.**

### Product Information:

- Installation time is greatly reduced
- Complete vapor barrier at suspension points by gluing or taping the butt joint
- Dramatically improves finished appearance of insulated tube runs
- Eliminates insulation compression at suspension points
- Currently available for 5/8" to 4-1/8" O.D. tube and 1/2" or 1" wall insulation thickness
- Plenum rated per UL 2043
- Temperature range (safe range): -45°F to 275°F



THIS INFORMATION IS PROPRIETARY TO HOLDRITE AND IS SUBJECT TO CHANGE WITHOUT NOTICE. IT MAY NOT BE REPRODUCED IN PART OR WHOLE WITHOUT WRITTEN AUTHORIZATION.



CONVERTING MAKESHIFT METHODS INTO ENGINEERED SOLUTIONS<sup>SM</sup>  
 800-321-0316 OR 760-744-6944 / FAX: 760-744-0507 / WWW.HOLDRITE.COM  
 spec\_Insulation Coupling\_Clevis System\_RevC

Product Submittal	
Job Name:	
Date:	
Part Number:	Qty:
Architect / Owner:	
Contractor:	
Notes:	