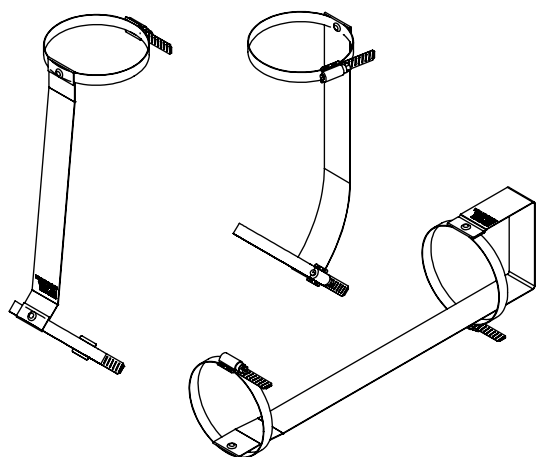
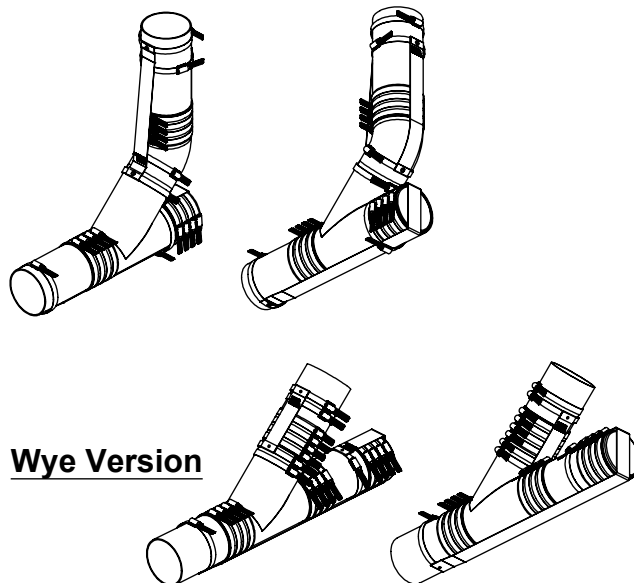


# PRODUCT SPECIFICATION DRAWING

## HOLDRITE® #117-3CE thru -8X6CE Series No-Hub Fitting Restraints



#117-3CE through -8X6CE



THE HOLDRITE® #117-CE Series No-Hub Fitting Restraints are designed to reinforce no-hub cast iron installations in accordance with the installation instructions of U.S. cast iron soil pipe manufacturers, CISPI Designation 310-11 and the 2006 CISPI Installation Handbook. The #117-3CE thru #117-8X6CE retains the Combo or Wye onto the adjoining piping when positioned at the end of the line and when either a blind plug or a cleanout is installed. All stainless steel bands must be torqued to 60 in/lbs minimum. When installed correctly, these restraint brackets achieve a safe thrust pressure rating equal to 50' head of water pressure.

**NOTE:**

While these restraint kits aid in compliance with the 2006 CISPI Handbook, they are not intended to suggest that no-hub pipe and fittings should be subjected to pressures in excess of the pipe manufacturers' recommendations.

**Product Information:**

- Material:
  - Strap: 24GA, CRS, galvanized
  - Bands: Stainless steel body, band & screw
- Torque: 60 in/lbs. minimum on band
- Patent pending
- Thrust force restraint test data available upon request
- Refer to installation instructions at [www.holdrite.com](http://www.holdrite.com)

THIS INFORMATION IS PROPRIETARY TO HOLDRITE AND IS SUBJECT TO CHANGE WITHOUT NOTICE. IT MAY NOT BE REPRODUCED IN PART OR WHOLE WITHOUT WRITTEN AUTHORIZATION.



Product Submittal	
Job Name:	
Date:	
Part Number:	Qty:
Architect / Owner:	
Contractor:	
Notes:	