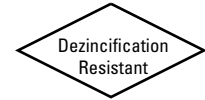


Bronze Ball Valves

Two-Piece Body • Full Port 1/4"-1" • Conventional Port 1 1/4"-3" •
Bronze Trim • Blowout-Proof Stem • UL listed



250 PSI/17.2 Bar Non-Shock LP Gas per UL842

CONFORMS TO MSS SP-110

CSA CERTIFIED TO ANSI/ASME B 16.33 AND CGA 3.16
FOR NATURAL AND PROPANE GAS TO 125 PSIG (1/4"-1")

MATERIAL LIST

| PART | SPECIFICATION |
|------------------------|---|
| 1. Handle Nut | Zinc Plated Steel |
| 2. Handle | Zinc Plated Steel Clear Chromate Plastisol Coated |
| 3. Threaded Pack Gland | Brass ASTM B 16 Alloy C36000 |
| 4. Packing | PTFE |
| 5. Stem | Silicon Bronze ASTM B 371 Alloy C69430 or ASTM B 99 Alloy C65100 |
| 6. Thrust Washer | Reinforced PTFE |
| 7. Ball | Brass ASTM B 124 Alloy C37700 or ASTM B16 Alloy C36000 EACH with Hard Chrome Plate |
| 8. Seat Ring (2) | Reinforced PTFE |
| 9. Body | Bronze ASTM B 584 Alloy C84400 |
| 10. Body End Piece | Bronze ASTM B 584 Alloy C84400 |



T-585-70-UL

1/4"-1" Full Port CSA
Threaded



T-580-70-UL

1 1/4"-3" Conventional Port
Threaded
UL Only



UL Listed For:

YSDT LP gas shut-off
YQNZ Compressed gas shut-off
YRPV Gas shut-off
YRBX Flammable liquid shut-off
MHKZ Manual valves

Service

A - Air or non-toxic, non-flammable gas
G - City gas supplied by public utilities
GA - Gasoline
LP - Liquefied petroleum gas, 250 PSI max.
02 - No. 1 and 2 fuel oil
04 - No. 4 fuel oil
05 - No. 5 fuel oil
06 - No. 6 fuel oil

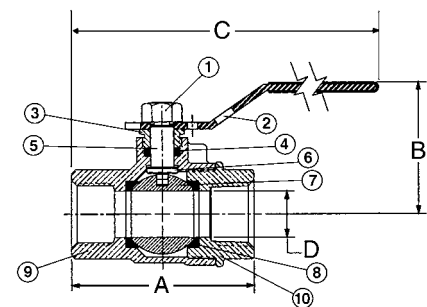
CUL Listed For:

YSDT7 LP gas shut-off for Canada

DIMENSIONS—WEIGHTS—QUANTITIES

| Size | Dimensions | | | | T-585-70-UL | | D | T-580-70-UL | Master | | | |
|-------|------------|------|-----|------|-------------|-------|-----|-------------|--------|-------|------|-----|
| | A | B | C | D | Lbs. | Kg. | | | | | | |
| †1/4 | 8 | 2.00 | 51 | 1.75 | 44 | 5.00 | 127 | .38 | 10 | .45 | .21 | 100 |
| †3/8 | 10 | 2.00 | 51 | 1.75 | 44 | 5.00 | 127 | .38 | 10 | .45 | .20 | 100 |
| †1/2 | 15 | 2.44 | 62 | 1.88 | 48 | 5.19 | 132 | .50 | 13 | .64 | .29 | 100 |
| †3/4 | 20 | 2.94 | 75 | 2.25 | 57 | 6.25 | 159 | .75 | 19 | 1.33 | .60 | 50 |
| †1 | 25 | 3.34 | 85 | 2.38 | 60 | 6.44 | 164 | 1.00 | 25 | 1.79 | .81 | 40 |
| 1 1/4 | 32 | 3.94 | 100 | 2.63 | 67 | 6.75 | 171 | 1.00 | 25 | 2.17 | .98 | 20 |
| 1 1/2 | 40 | 4.31 | 109 | 3.00 | 76 | 8.88 | 226 | 1.25 | 32 | 3.27 | 1.48 | 20 |
| 2 | 50 | 4.63 | 118 | 3.16 | 80 | 9.06 | 230 | 1.50 | 38 | 5.09 | 2.31 | 10 |
| 2 1/2 | 65 | 5.84 | 148 | 3.50 | 89 | 9.66 | 245 | 2.00 | 51 | 8.25 | 3.74 | 6 |
| 3 | 80 | 7.09 | 180 | 4.41 | 112 | 11.53 | 293 | 2.50 | 64 | 15.65 | 7.10 | 4 |

† NIBCO supplies full port T-585-70-UL on this size.



T-585-70-UL
T-580-70-UL
NPT x NPT

Visit our website for the most current information.