

FIGURE 200A STAINLESS STEEL BALL VALVES



2 PC FULL PORT 1000 CWP

FEATURES

- 1000 PSI CWP non-shock
- 150 PSI WSP
- Threaded NPT ends
- Full port
- Blowout-proof stem
- Adjustable packing
- Investment cast body
- Stainless steel handle
- Locking lever
- RTFE seats
- Vented ball
- Stocked configurations:
 - Standard locking lever (1/4"-2")
 - Oval handle (1/4"-2")
- Manufactured silicone-free
- Replacement locking handle kits available
- Optional stem extension kit (uses existing valve handle) (1/4"-2")
- Optional oval handle kit (1/4"-2")



ACCESSORIES



Replacement Locking Handle Kits (1/4"-2")



Stem Extension Kits (1/4"-2")

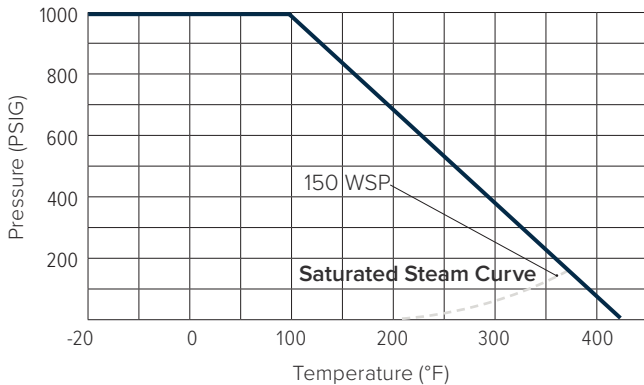


Oval Handle Kits (1/4"-2")

PRODUCT SPECIFICATIONS

Standards

- Design: MSS SP-110
- End Connections: ASME B1.20.1
- Seat/Shell Test: MSS SP-110
- Corrosion Resistance: NACE MR0103 and MR0175



TORQUE (IN-LBS)

Size /ΔP	75 psig	300 psig	1000 psig
	5 Bar	20 Bar	63 Bar
1/4, 3/8	57	57	57
1/2	57	57	57
3/4	69	69	69
1	114	126	126
1-1/4	150	173	218
1-1/2	218	254	299
2	334	368	437
2-1/2	517	564	679
3	828	932	1162
4	1265	1404	1703

Note: 30% safety factor is recommended when sizing actuator.

FIGURE NUMBER MATRIX

FNW 200A		
Handle Code	Size Code	
Standard Handle = Blank	1/4" = B	1" = G
Oval Handle = OL	3/8" = C	1-1/4" = H
	1/2" = D	1-1/2" = J
	3/4" = F	2" = K

HANDLE KIT CODES (ORDER SEPARATELY)

FNW 310A	
Kit Type	Size Code
Locking Handle = LHK	1/4"-1/2" = BD
Stem Extension = SEK	3/4" = F
Oval Handle = OH	1"-1-1/4" = GH
	1-1/2"-2" = JK

Note: The figure 200A uses the same accessories as the 310A.

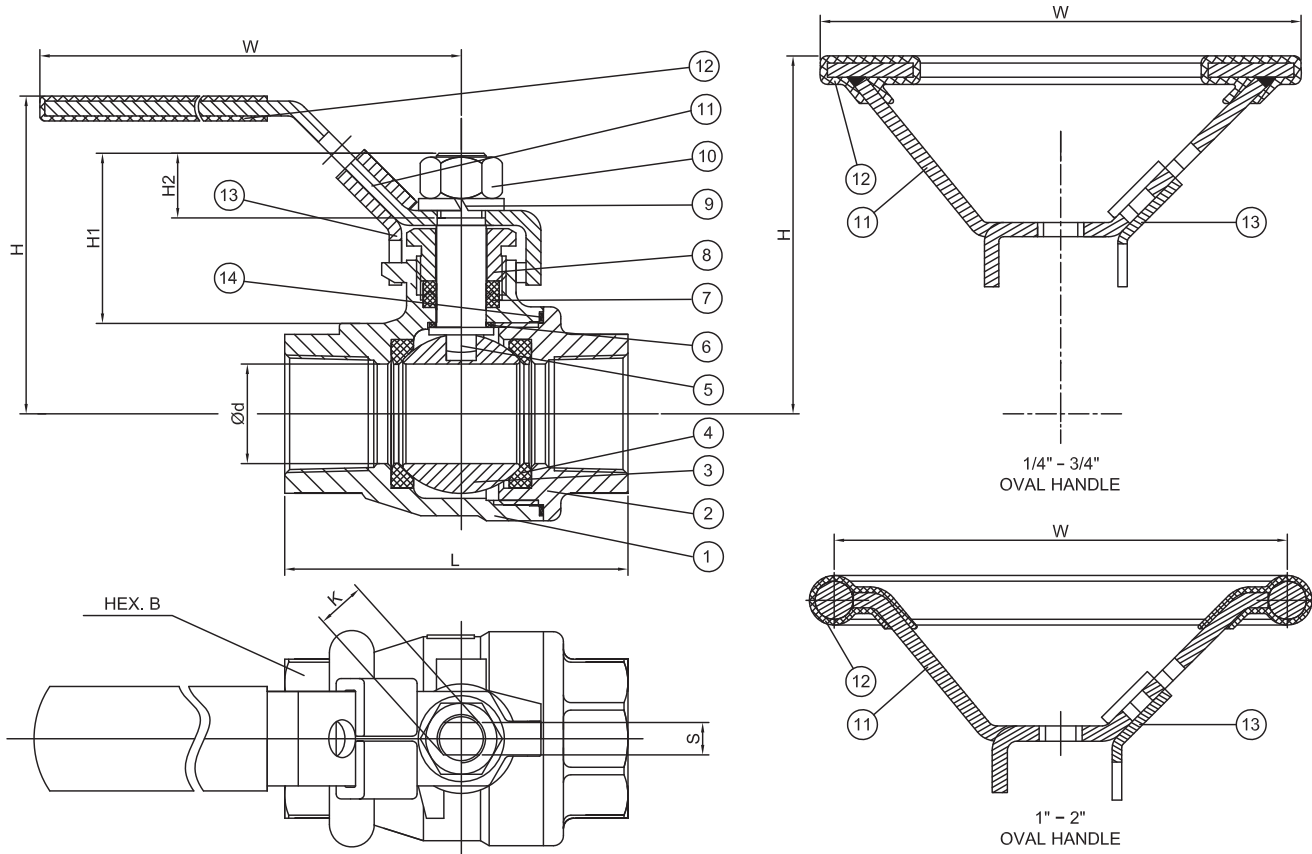
CV & WEIGHT

Size	Cv	Wt (lbs)
1/4	16	0.73
3/8	16	0.68
1/2	30	0.75
3/4	55	1.14
1	96	1.94
1-1/4	170	2.82
1-1/2	270	4.12
2	470	6.48

FIGURE 200A STAINLESS STEEL BALL VALVES



2 PC FULL PORT 1000 CWP



DIMENSIONS (INCHES)

SIZE	Ød	L	H1	H2	Straight Lever		Oval Handle		K (UNC)	S	B
					H	W	H	W			
1/4	0.42	2.28	1.13	0.43	2.28	3.94	2.50	3.97	5/16-18	0.197	0.93
3/8	0.47	2.28	1.13	0.43	2.28	3.94	2.50	3.97	5/16-18	0.197	0.93
1/2	0.59	2.44	1.05	0.38	2.28	3.94	2.50	3.97	5/16-18	0.197	0.98
3/4	0.79	2.85	1.35	0.49	2.52	5.08	2.96	5.20	3/8-16	0.256	1.26
1	0.98	3.35	1.51	0.62	3.03	6.14	3.03	5.20	7/16-14	0.314	1.61
1-1/4	1.26	3.70	1.46	0.55	3.27	6.14	3.22	5.20	7/16-14	0.314	1.97
1-1/2	1.50	4.13	1.96	0.89	3.78	7.19	3.80	5.63	5/8-11	0.394	2.20
2	1.97	4.92	1.91	0.89	4.02	7.19	4.02	5.63	5/8-11	0.394	2.76

STANDARD MATERIALS

Ref. No.	Description	Material	Qty
1	Body	ASTM A351 Gr. CF8M Stainless	1
2	End Cap	ASTM A351 Gr. CF8M Stainless	1
3	Ball	316SS Stainless	1
4	Seat	RTFE	2
5	Stem	316SS Stainless	1
6	Thrust Washer	PTFE	1
7	V-Ring Packing	PTFE	1 Set
8	Gland Nut	304SS Stainless	1
9	Stem Washer	304SS Stainless	1
10	Stem Nut	ASTM A194-8 Stainless	1
11	Handle	304SS Stainless	1
	1"-2" Oval Handle	304SS+CF8	1
12	Handle Sleeve	Vinyl Plastic	1
13	Locking Device	304SS Stainless	1
14	Body Gasket	PTFE	1