

## Features

- Brass construction.
- Brass valve bodies.
- Quarter-turn washerless ceramic disc valves.
- Lower flow aerator options are available (refer to the Kohler Price Book).
- Variety of handle style options.
- For 8" (203 mm) centers.
- 8-1/8" (206 mm) swing spout.
- Less drain.
- 2.0 gal/min (7.6 l/min) maximum flow rate [max at 60 psi (4.14 bar)].

## Required Accessories

K- 16012-2 Standard Handles for Widespread Base Faucet

or

K- 16012-3 Cross Handles for Widespread Base Faucet

or

K- 16012-4 Lever Handles for Widespread Base Faucet

or

K- 16012-5 Wristblade Handles for Widespread Base Faucet

## Optional Accessories

77619 Deep Rough-in Kit

1011402 SD Spray Deep Rough-in Kit

1160595 .35 gpm Aerator, Medium



**ADA**

## Codes/Standards

ASME A112.18.1/CSA B125.1

NSF 61

NSF 372

DOE - Energy Policy Act 1992

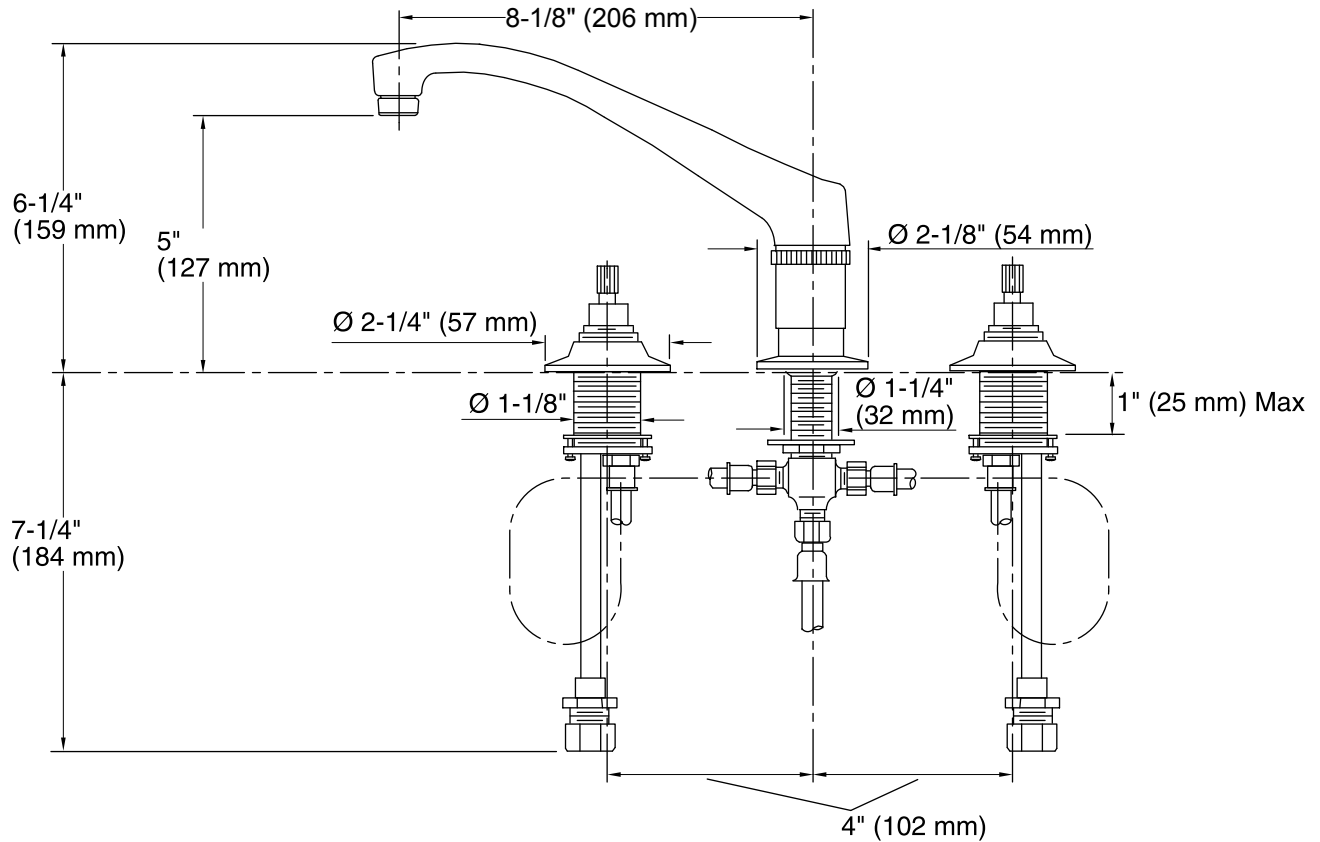
ADA

ICC/ANSI A117.1

All applicable US Federal and State material regulations

## KOHLER® Faucet Lifetime Limited Warranty

See website for detailed warranty information.



### Technical Information

All product dimensions are nominal.

Spout reach: 8-1/8" (206 mm)

### Faucet:

Flow rate: 2.2 gal/min (8.3 l/min)

Pressure: 60 psi (4.1 bar)

### Notes

Install this product according to the installation guide.

ADA compliant when installed to the specific requirements of these regulations.