

INSTALLATION INSTRUCTIONS

BEFORE YOU BEGIN

A. HOW TO USE THESE INSTRUCTIONS

Please read these instructions carefully to familiarize yourself with the required tools, materials, and installation sequences. Follow the sections that pertain to your particular installation. This will help you avoid costly mistakes. In addition to proper installation, read all operating and safety instructions.

All information in this manual is based upon the latest product information available at the time of publication. Kohler Co. reserves the right to make changes in product characteristics, packaging, or availability at any time without notice.

B. PRODUCT NOTES

- All information is based on the latest product information available at the time of publication. Kohler Co. reserves the right to make changes in product characteristics, packaging, or availability at any time without notice.
- Please leave these instructions for the consumer. They contain important maintenance information.
- Observe all local plumbing and building codes.

- Shut off the hot and cold water supplies.
- Inspect waste and supply tubing; replace if necessary.

For new installations: Assemble faucet to sink before installing sink.

C. REQUIRED TOOLS AND MATERIALS

- Plumbers putty
- Assorted screwdrivers
- Adjustable or open-end wrench
- Thread sealant
- Tubing cutter

D. OPTIONAL TOOLS AND MATERIALS

- Shut-off valves

ROUGHING-IN INFORMATION

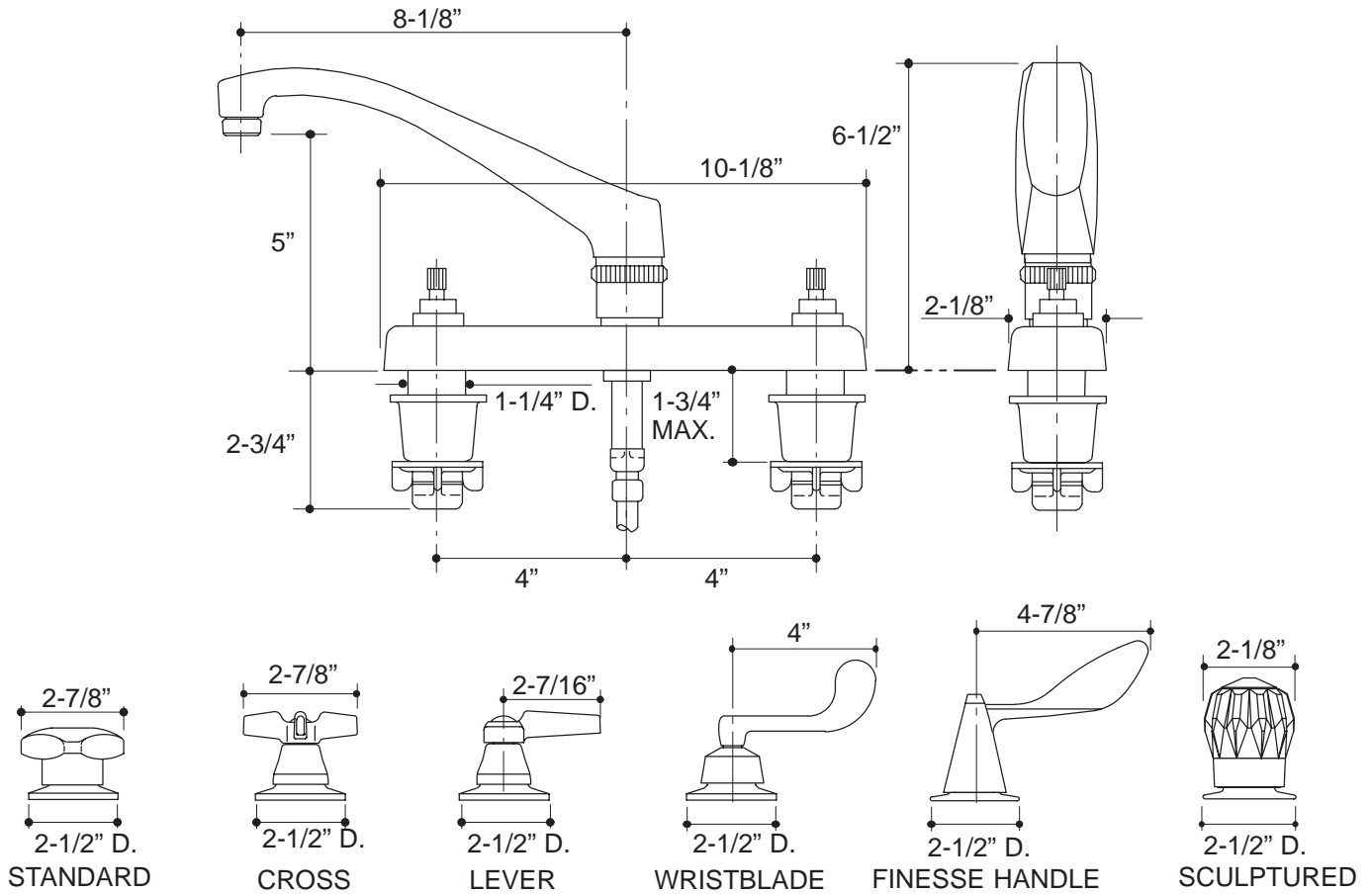


Fig. #1

INSTALLATION

For faucets with a spray unit, apply plumbers putty or other sealant to the spray guide assembly according to the putty manufacturer's instructions. Install the spray guide into the far right hole of the sink. From the underside of the sink, thread the locknut to the spray guide assembly, and tighten with a wrench. Remove any excess plumbers putty.

Insert the hose through the top of the spray guide. Feed the hose up through the second hole from the left on the sink. Apply thread sealant to the hose fitting, and secure the hose to the faucet. Carefully wrench tighten.

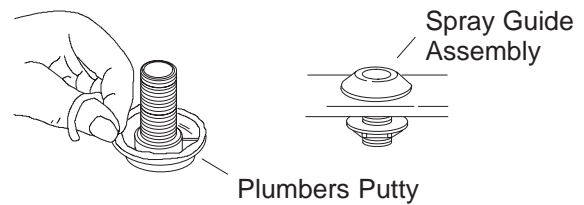


Fig. #2

Apply a ring of plumbers putty or other sealant around the underside of the faucet body according to the putty manufacturer's instructions. Insert the faucet into the sink holes.

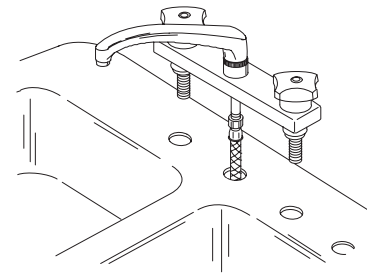


Fig. #3

Center and align the faucet. From the underside of the sink, install the spacers and plastic locknuts. Hand tighten the plastic locknuts. Do not wrench tighten.

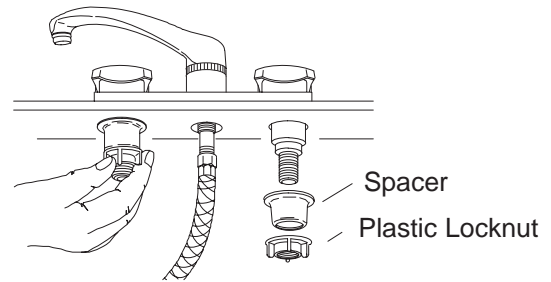


Fig. #4

NOTE: If the supply tubes need to be cut, allow for required penetration of the tube into the shut-off valve.

Cut the supply tubes to allow for required penetration of the tubes into the shut-off valves. Deburr all tubing cuts. Slip the coupling nuts onto the supply tubes. Carefully position the round end of the supply tube (either flared end or ferrule) squarely into the valve body inlet. Hand tighten the coupling nuts.

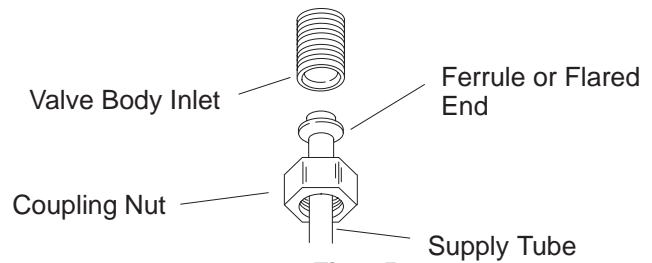


Fig. #5

Carefully bend the supply tubes to align with the supply stops. Slide the coupling nuts and ferrule from the stops onto the supply tubes. Insert the supply tubes into the outlets of the shut-off valves. Tighten the coupling nuts on the shut-off valves.

Turn on the water supply.

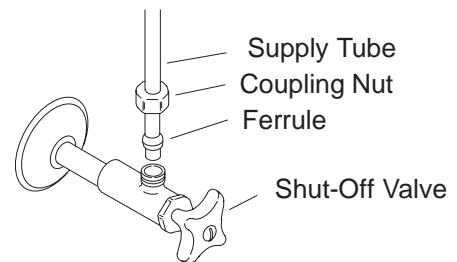


Fig. #6

Remove the aerator, and flush hot and cold water through the faucet for about one minute.

Check for leakage, and repair as needed.

