

# ADJUSTABLE FLOOR DRAIN WITH DECK FLANGE

## 822 series

## Finish Line Halo Drain™

### SPECIFICATION

Sioux Chief 822 series adjustable floor drain shall be used where necessary in drainage systems. Floor drain shall allow adjustment of 1" after the concrete pour. Floor drain shall have a Sch. 40 hub connection. Deck Flange shall be 18 gauge stainless steel and attach to deck with screws or nails. Strainer shall be heel-proof and meet all applicable load requirements for intended use. Trap primer port shall be threaded 1/2" FIP for knockout connection. Designed in accordance with ASME A112.6.3-2001

### MATERIALS

ring/strainer: nickel-bronze, 304 stainless steel  
 head adapter, coring sleeve: ABS  
 coring plug: high-impact polymer  
 deck flange: 18 GA. 430 stainless steel  
 base adapter: ABS, PVC

### STRAINER LOAD RATING

nickel-bronze: 1,000 lbs. (light duty, pedestrian traffic)  
 304 stainless steel: 2,000 lbs. (light duty, pedestrian traffic)

### STRAINER FREE AREA

round: 7.5 in<sup>2</sup> (22.75 GPM)\*  
 square: 12.75 in<sup>2</sup> (39 GPM)\*

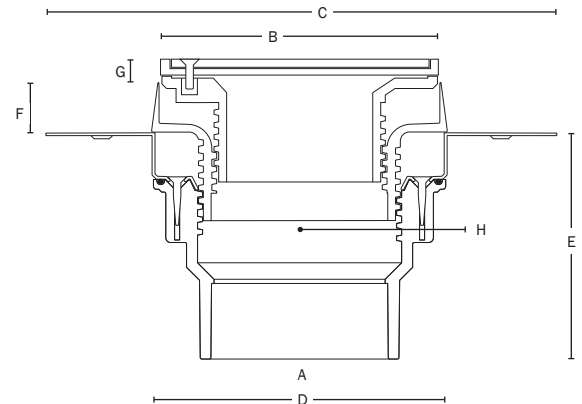
### DIMENSIONS

A: connection size	2" x 3" or 3" x 4" Sch. 40 hub**
B: ring/strainer diameter	
round / square	5 1/2" / 5 7/8"
C: flange diameter	9 1/2"
D: body diameter	5 7/8"
E: body height	4 3/8"
F: sleeve height	1"
G: adjustable finish height	
round / square	0"-1" / 5/16"-1"
H: trap primer port	1/2" FIP thread for knockout connection

\* Indicates flow rate of the strainer (not necessarily of the fixture) at 1/2" head.

\*\* Adapters fit over 2"/inside 3" pipe, or over 3"/inside 4" pipe.

Item # Submitted	_____
Job Name	_____
Location	_____
Engineer	_____
Contractor	_____
PO#	_____ TAG _____



Create Item Number

## 822-ABCD

e.g. 822-F3PSQ = Finish Line Halo drain with 3" PVC hub connection, and 304 square stainless steel ring and strainer

### A CLAMPING COLLAR

- (skip if no collar is necessary)  
 M Clamping collar kit included  
 (No collar is standard unless otherwise specified)

### B CONNECTION

- F2A 2" ABS Sch. 40 hub  
 F2P 2" PVC Sch. 40 hub  
 F3A 3" ABS Sch. 40 hub  
 F3P 3" PVC Sch. 40 hub

### C RING & STRAINER

- NR round cast nickel-bronze  
 NQ square cast nickel-bronze  
 SR round cast stainless steel  
 SQ square cast stainless steel

### D Options

- V Vandal-resistant strainer screws  
 B Complies with Buy American Act<sup>1</sup>  
 1 Available only on round nickel-bronze ring & strainer

### ACCESSORIES

- 822-EX3 Extension nipple<sup>2</sup>  
 863-FN 4" nickel-bronze funnel  
 863-FA 4" aluminum funnel  
 832-S3 shim kit  
 2 Fits between body and sleeve - extends sleeve 2-1/8" (min) to 3-3/4" (max) above deck flange