

# SPECIFICATIONS

## FIGURE 7310 CONDUIT/PIPE CLAMPS



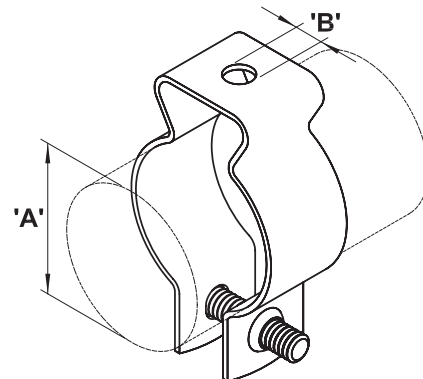
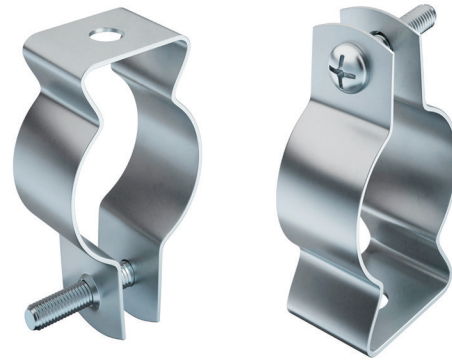
### RIGID/EMT CLAMP

#### FEATURES

- Finish: Zinc
- Material: Steel

**Notes:**

Sizes 0050 to 0200 have embossed threading for clamp screw.  
 Sizes 0250 & 0300 use nut and bolt.  
 Sizes 0250 & 0300 have an embossment around hole 'B'.



#### REFERENCE CHART

Catalog Number	Finish	Size (in.)		Design Load (lbs)	Dimensions (in.)		Gauge
		Rigid	EMT		A	B	
FNW7310Z0050	Zinc	3/8", 1/2"	1/2"	200	0.8	0.28	18
FNW7310Z075	Zinc	3/4"	3/4"	200	1	0.28	18
FNW7310Z0100	Zinc	1"	1"	200	1.2	0.28	18
FNW7310Z0125E	Zinc	—	1-1/4"	200	1.5	0.28	18
FNW7310Z0125E	Zinc	1-1/4"	1-1/2"	200	1.7	0.28	18
FNW7310Z0150	Zinc	1-1/2"	—	200	1.87	0.34	18
FNW7310Z0200	Zinc	2"	2"	350	2.25	0.34	18
FNW7310Z0250	Zinc	2-1/2"	2-1/2"	350	3	0.41	14
FNW7310Z0300	Zinc	3"	3"	350	3.5	0.41	14