

SPECIFICATIONS

FIGURE 7311

CONDUIT/PIPE CLAMPS



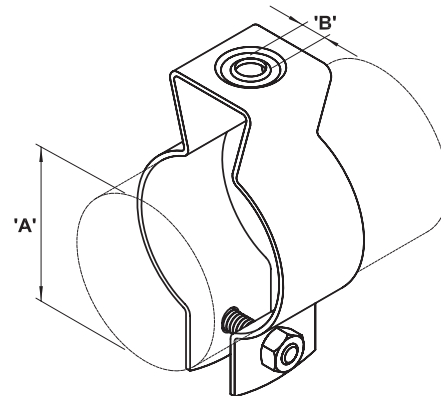
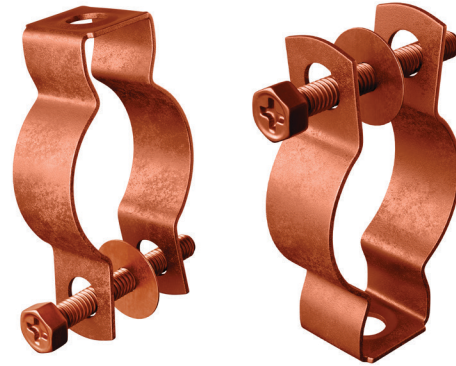
COPPER PIPE CLAMP

FEATURES

- Finish: Copper
- Material: Steel

Notes:

Copper plating is for identification purposes only.
All sizes use nut and bolt.
All sizes have an embossment around hole 'B'.



REFERENCE CHART

Catalog Number	Finish	Size (in.)	Design Load (lbs)	Dimensions (in.)		Gauge
				A	B	
FNW7311C0050	Copper	1/2"	200	0.65	0.28	19
FNW7311C0075	Copper	3/4"	200	0.87	0.28	18
FNW7311C0100	Copper	1"	200	1.2	0.28	18
FNW7311C0125	Copper	1-1/4"	200	1.38	0.28	18
FNW7311C0150	Copper	1-1/2"	200	1.7	0.34	16
FNW7311C0200	Copper	2"	200	2.13	0.34	16