

FIGURE 7250

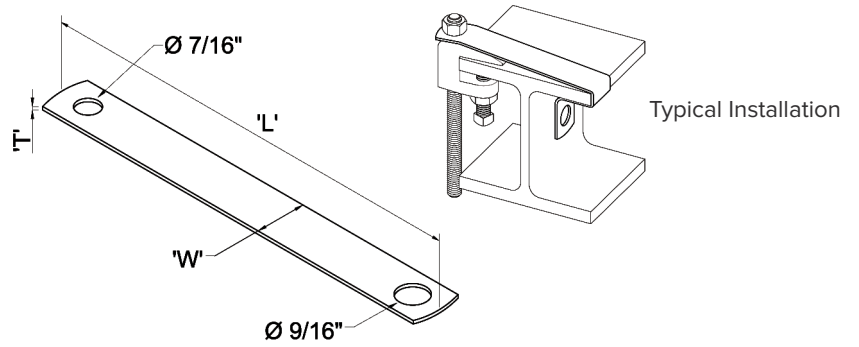
BEAM CLAMPS



BEAM CLAMP RETAINING STRAP

FEATURES

- Finish: G90 Galvanized Coating
- Material: Carbon Steel, ASTM A653 Type B
- UL Approved



DIMENSIONS

Catalog Number	T	Beam Size	W	L
FNW7250Z0600	16 ga.	6"	0.95"	8.00"
FNW7250Z0800	16 ga.	8"	0.95"	10.00"
FNW7250Z1000	16 ga.	10"	0.95"	12.00"
FNW7250Z1200	16 ga.	12"	0.95"	14.00"
FNW7250Z1400	16 ga.	14"	0.95"	16.00"