

FIGURE 7250

BEAM CLAMPS



BEAM CLAMP RETAINING STRAP

The FNW 7250 beam clamp retaining strap is used to secure beam clamps and threaded rod to an I-beam to eliminate potential movement caused by vibration.

FEATURES

- UL Approved
- The retaining strap shall wrap around the beam flange no less than 1 in. (25mm)
- Made in the USA

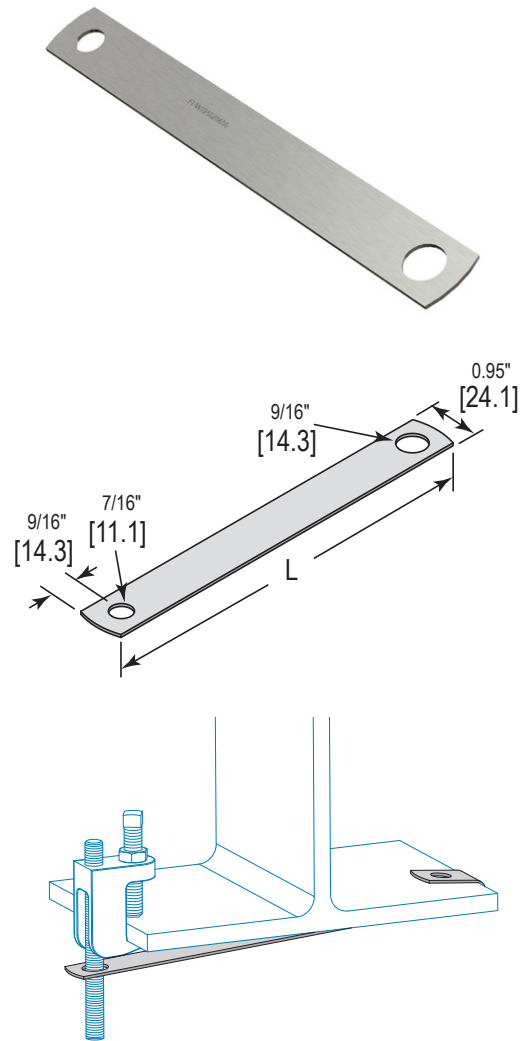
PRODUCT SPECIFICATIONS

Material

- Carbon steel – ASTM A1011-00 SS GR 33 or ASTM A1011-00CS Type B

Finish

- Z – ASTM A653 G-90 Pre-galvanized zinc (standard finish) is produced by continuously rolling steel coils or sheets through molten zinc at the mills. The coils or sheets are slit to size and fabricated by forming, shearing or punching to produce the finished product. During fabrication cut edges are not generally zinc coated; however, the zinc near the uncoated metal becomes a sacrificial anode to protect the bare areas.



DIMENSIONS

Catalog Number	Gauge	Beam Size		Length		Weight	
		in.	mm	in.	mm	lbs	kg
FNW7250Z0600	16 ga	6	152	8	203	0.122	0.055
FNW7250Z0800	16 ga	8	203	10	254	0.157	0.071
FNW7250Z1000	16 ga	10	254	12	305	0.191	0.087
FNW7250Z1200	16 ga	12	305	14	356	0.226	0.103
FNW7250Z1400	16 ga	14	356	16	406	0.260	0.118