



# RPNL

Parts List  
02-September-2014



*This parts list is current as of the above revision date.  
See <http://www.rheempartslists.net/92-42800-RPNL.pdf> for the current revision.*

Heat Pumps

# Table of Contents

Model Explanation .....	Page 3
<b>Parts Numbers</b>	
Panels - Miscellaneous (Granite-Steel Gray) .....	Page 4
Panels - Miscellaneous (Neutra Green) .....	Page 5
Electrical Group (J Voltage) (1).....	Page 6
Electrical Group (J Voltage) (2).....	Page 7
Electrical Group (C D Y Voltages) .....	Page 8
Fan Group.....	Page 9
Coil Parts .....	Page 10
Compressor Group (1).....	Page 11
Compressor Group (2).....	Page 12
Accessories .....	Page 13
<b>Drawings/Photographs</b>	
Exploded View .....	Page 14
Control Box Assembly (JAZ JBZ).....	Page 15
Control Box Assembly (JEZ) .....	Page 16
Control Box Assembly (CAZ DAZ YAZ).....	Page 17
Notes/Disclaimer .....	Page 18

**MODEL NUMBER EXPLANATION**

<b>R</b>	<b>P</b>	<b>N</b>	<b>L</b>	<b>-</b>	<b>0</b>	<b>2</b>	<b>4</b>	<b>J</b>	<b>E</b>	<b>Z</b>
<b>(1)</b>	<b>(2)</b>	<b>(3)</b>	<b>(4)</b>			<b>(5)</b>		<b>(6)</b>	<b>(7)</b>	<b>(8)</b>

- |   |   |
|---|---|
| <p><b>(1) TRADEBRAND IDENTIFICATION</b></p> <p><b>(2) MODEL</b><br/>P= HEAT PUMP</p> <p><b>(3) TYPE</b></p> <p><b>(4) DESIGN SERIES / VARIATION</b><br/>L= DESIGN SERIES (R-410A)</p> <p><b>(5) COOLING CAPACITY</b><br/>018= 18,000 BTU/HR<br/>024= 24,000 BTU/HR<br/>030= 30,000 BTU/HR<br/>031= 30,000 BTU/HR<br/>036= 36,000 BTU/HR<br/>037= 36,000 BTU/HR<br/>042= 42,000 BTU/HR<br/>043= 42,000 BTU/HR<br/>048= 48,000 BTU/HR<br/>049= 48,000 BTU/HR<br/>060= 60,000 BTU/HR</p> | <p><b>(6) ELECTRICAL DESIGNATION</b><br/>J= 208-230/1/60<br/>C= 208-230/3/60<br/>D= 208-230/1/60<br/>Y= 208-230/1/60</p> <p><b>(7) VARIATIONS</b><br/>A= FULL FEATURED<br/>B= COMPETITIVE<br/>E= ELECTRONIC MODEL</p> <p><b>(8) COMPRESSOR</b><br/>Z= SWEAT W/ SCROLL</p> |
|---|---|

**SERIAL NUMBER EXPLANATION**

<b>7</b>	<b>4</b>	<b>7</b>	<b>4</b>	<b>M</b>	<b>2</b>	<b>7</b>	<b>0</b>	<b>4</b>	<b>9</b>	<b>9</b>	<b>9</b>	<b>9</b>	<b>9</b>
	<b>(1)</b>			<b>(2)</b>		<b>(3)</b>		<b>(4)</b>			<b>(5)</b>		

- (1) COMPRESSOR IDENTIFICATION NUMBER**
- (2) PRODUCTION LOCATION**
- (3) WEEK OF PRODUCTION**
- (4) YEAR OF PRODUCTION**
- (5) PRODUCTION NUMBER**

No.	Notes	MODEL COOLING CAPACITY VARIATION	RPNL	RPNL	RPNL	RPNL	RPNL	RPNL
			-018 JAZ	-024 JAZ/JEZ	-030 JAZ/JEZ	-031 ALL	-036 ALL	-037 ALL
<b>SHEET METAL PARTS, MISCELLANEOUS (Granite/Steel Gray, After Date Code 4811)</b>								
1		Base Pan	AE-58426-82	AE-58426-82	N/A	AE-58426-83	AE-58426-83	AE-58426-83
2		Button Plug	45-22980-07	45-22980-07	N/A	45-22980-07	45-22980-07	45-22980-07
3		Cabinet	AE-100609-83	AE-100609-83	N/A	AE-100609-84	AE-100609-87	AE-100609-88
4		Top Panel	AE-100618-82	AE-100618-82	N/A	AE-100618-85	AE-100618-85	AE-100618-85
5		Grille	95-100906-02	95-100906-02	N/A	95-100906-04	95-100906-04	95-100906-04
6		Control Box (All models except JEZ)	AE-100633-01	AE-100633-01	N/A	AE-100633-01	AE-100633-01	AE-100633-01
6	3	Control Box (JEZ models)	N/A	10-102307-07	N/A	10-102307-07	10-102307-07	10-102307-07
		Control Box - Dust Cover Assembly (JEZ models)	N/A	10-102360-01	N/A	10-102360-01	10-102360-01	10-102360-01
6a		Capacitor Adapter Plate (2 in. round capacitor)	AE-54609-01	AE-54609-01	N/A	AE-54609-01	AE-54609-01	AE-54609-01
6a		Capacitor Adapter Plate (2 in. X 1-1/4 in. oval capacitor)	AE-54609-02	AE-54609-02	N/A	AE-54609-02	AE-54609-02	AE-54609-02
6b		Capacitor Strap - Start Capacitor	AE-50892-51	AE-50892-51	N/A	AE-50892-51	AE-50892-51	AE-50892-51
7		Access Panel	AE-100617-83	AE-100617-83	N/A	AE-100617-84	AE-100617-87	AE-100617-88
8		Service Valve - Suction	61-21368-15	61-21368-15	N/A	61-21368-15	61-21368-21	61-21368-15
9		Service Valve - Liquid	61-21368-13	61-21368-13	N/A	61-21368-13	61-21368-13	61-21368-13
		Touch-up Paint - Granite/Steel Gray (Aerosol)	PD523018	PD523018	N/A	PD523018	PD523018	PD523018
		Touch-up Paint - Granite/Steel Gray (Paint Pens)	PD523019	PD523019	N/A	PD523019	PD523019	PD523019

No.	Notes	MODEL COOLING CAPACITY VARIATION	RPNL	RPNL	RPNL	RPNL	RPNL	
			-042 ALL	-043 ALL	-048 ALL	-049 ALL	-060 ALL	
<b>SHEET METAL PARTS, MISCELLANEOUS (Granite/Steel Gray, After Date Code 4811)</b>								
1		Base Pan	N/A	AE-58426-83	N/A	AE-58426-83	AE-58426-83	
2		Button Plug	N/A	45-22980-07	N/A	45-22980-07	45-22980-07	
3		Cabinet	N/A	AE-100609-88	N/A	AE-100609-88	AE-100609-87	
4		Top Panel	N/A	AE-100618-85	N/A	AE-100618-85	AE-100618-85	
5		Grille	N/A	95-100906-04	N/A	95-100906-04	95-100906-04	
6		Control Box (All models except JEZ)	N/A	AE-100633-01	N/A	AE-100633-01	AE-100633-01	
6	3	Control Box (JEZ models) - After Date Code 2310	N/A	10-102307-07	N/A	10-102307-07	10-102307-07	
		Control Box - Dust Cover Assembly (JEZ models)	N/A	10-102360-01	N/A	10-102360-01	10-102360-01	
6a		Capacitor Adapter Plate (2 in. round capacitor)	N/A	AE-54609-01	N/A	AE-54609-01	AE-54609-01	
6a		Capacitor Adapter Plate (2 in. X 1-1/4 in. oval capacitor)	N/A	AE-54609-02	N/A	AE-54609-02	AE-54609-02	
6b		Capacitor Strap - Start Capacitor	N/A	AE-50892-51	N/A	AE-50892-51	AE-50892-51	
7		Access Panel	N/A	AE-100617-88	N/A	AE-100617-88	AE-100617-87	
8		Service Valve - Suction	N/A	61-21368-16	N/A	61-21368-16	61-21368-16	
9		Service Valve - Liquid	N/A	61-21368-13	N/A	61-21368-13	61-21368-13	
		Touch-up Paint - Granite/Steel Gray (Aerosol)	N/A	PD523018	N/A	PD523018	PD523018	
		Touch-up Paint - Granite/Steel Gray (Paint Pens)	N/A	PD523019	N/A	PD523019	PD523019	

No.	Notes	MODEL COOLING CAPACITY VARIATION	RPNL -018 JAZ/JBZ	RPNL -024 JAZ/JBZ/JEZ	RPNL -030 JAZ/JBZ/JEZ	RPNL -031 ALL	RPNL -036 ALL	RPNL -037 ALL
<b>SHEET METAL PARTS, MISCELLANEOUS (Neutra Green, Before Date Code 4811)</b>								
1		Base Pan	AE-58426-02	AE-58426-02	AE-58426-03	AE-58426-03	AE-58426-03	AE-58426-03
2		Button Plug	45-22980-07	45-22980-07	45-22980-07	45-22980-07	45-22980-07	45-22980-07
3		Cabinet	AE-100609-03	AE-100609-03	AE-100609-08	AE-100609-04	AE-100609-07	AE-100609-08
4		Top Panel	AE-100618-02	AE-100618-02	AE-100618-04	AE-100618-05	AE-100618-05	AE-100618-05
5		Grille	95-100906-02	95-100906-02	95-101742-03	95-100906-04	95-100906-04	95-100906-04
6		Control Box (All models except JEZ)	AE-100633-01	AE-100633-01	AE-100633-01	AE-100633-01	AE-100633-01	AE-100633-01
6	3	Control Box (JEZ models) - Before Date Code 2310	N/A	10-102307-04	10-102307-04	10-102307-04	10-102307-04	N/A
6	3	Control Box (JEZ models) - After Date Code 2310	N/A	10-102307-07	10-102307-04	10-102307-07	10-102307-07	10-102307-07
		Control Box - Dust Cover Assembly (JEZ models)	N/A	10-102360-01	10-102360-01	10-102360-01	10-102360-01	10-102360-01
6a		Capacitor Adapter Plate (2 in. round capacitor)	AE-54609-01	AE-54609-01	AE-54609-01	AE-54609-01	AE-54609-01	AE-54609-01
6a		Capacitor Adapter Plate (2 in. X 1-1/4 in. oval capacitor)	AE-54609-02	AE-54609-02	AE-54609-02	AE-54609-02	AE-54609-02	AE-54609-02
6b		Capacitor Strap - Start Capacitor	AE-50892-51	AE-50892-51	AE-50892-51	AE-50892-51	AE-50892-51	AE-50892-51
7		Access Panel	AE-100617-03	AE-100617-03	AE-100617-08	AE-100617-04	AE-100617-07	AE-100617-08
8		Service Valve - Suction	61-21368-15	61-21368-15	61-21368-15	61-21368-15	61-21368-21	61-21368-15
9		Service Valve - Liquid	61-21368-13	61-21368-13	61-21368-13	61-21368-13	61-21368-13	61-21368-13
		Touch-up Paint (Aerosol)	52-18662-48	52-18662-48	52-18662-48	52-18662-48	52-18662-48	52-18662-48
		Touch-up Paint (Paint Pens)	523010	523010	523010	523010	523010	523010

No.	Notes	MODEL COOLING CAPACITY VARIATION	RPNL -042 ALL	RPNL -043 ALL	RPNL -048 ALL	RPNL -049 ALL	RPNL -060 ALL	
<b>SHEET METAL PARTS, MISCELLANEOUS (Neutra Green, Before Date Code 4811)</b>								
1		Base Pan	AE-58426-03	AE-58426-03	AE-58426-03	AE-58426-03	AE-58426-03	
2		Button Plug	45-22980-07	45-22980-07	45-22980-07	45-22980-07	45-22980-07	
3		Cabinet	AE-100609-07	AE-100609-08	AE-100609-07	AE-100609-08	AE-100609-07	
4		Top Panel	AE-100618-05	AE-100618-05	AE-100618-05	AE-100618-05	AE-100618-05	
5		Grille	95-100906-04	95-100906-04	95-100906-04	95-100906-04	95-100906-04	
6		Control Box (All models except JEZ)	AE-100633-01	AE-100633-01	AE-100633-01	AE-100633-01	AE-100633-01	
6	3	Control Box (JEZ models) - Before Date Code 2310	10-102307-04	10-102307-04	10-102307-04	10-102307-04	10-102307-04	
6	3	Control Box (JEZ models) - After Date Code 2310	10-102307-04	10-102307-07	10-102307-04	10-102307-07	10-102307-07	
		Control Box - Dust Cover Assembly (JEZ models)	10-102360-01	10-102360-01	10-102360-01	10-102360-01	10-102360-01	
6a		Capacitor Adapter Plate (2 in. round capacitor)	AE-54609-01	AE-54609-01	AE-54609-01	AE-54609-01	AE-54609-01	
6a		Capacitor Adapter Plate (2 in. X 1-1/4 in. oval capacitor)	AE-54609-02	AE-54609-02	AE-54609-02	AE-54609-02	AE-54609-02	
6b		Capacitor Strap - Start Capacitor	AE-50892-51	AE-50892-51	AE-50892-51	AE-50892-51	AE-50892-51	
7		Access Panel	AE-100617-07	AE-100617-08	AE-100617-07	AE-100617-08	AE-100617-07	
8		Service Valve - Suction	61-21368-16	61-21368-16	61-21368-16	61-21368-16	61-21368-16	
9		Service Valve - Liquid	61-21368-13	61-21368-13	61-21368-13	61-21368-13	61-21368-13	
		Touch-up Paint (Aerosol)	52-18662-48	52-18662-48	52-18662-48	52-18662-48	52-18662-48	
		Touch-up Paint (Paint Pens)	523010	523010	523010	523010	523010	

No.	Notes	MODEL COOLING CAPACITY VARIATION	RPNL	RPNL	RPNL	RPNL	RPNL	RPNL
			-018 JAZ/JBZ	-024 JAZ/JBZ	-030 JAZ/JBZ	-031 JAZ	-036 JAZ/JBZ	-037 JAZ
<b>ELECTRICAL GROUP</b>								
CONTROL BOX COMPONENTS:								
10	Stk	Defrost Control Board - JAZ models	47-21517-22	47-21517-22	47-21517-22	47-102685-02	47-21517-22	47-102684-08
10	Stk	Defrost Control Board - JBZ models	47-21517-16	47-21517-16	47-21517-16	N/A	47-21517-16	N/A
11	Stk	Contactora	42-42478-03	42-42478-03	42-42478-03	42-42478-03	42-42478-03	42-103377-01
12		Capacitor - Compressor Run	See Compressor Group					
13		Start Relay	See Compressor Group					
14		Capacitor - Compressor Start	See Compressor Group					
		Wiring Harness - Fan Motor	See Fan Group					
		Wiring Harness - Compressor Molded Plug	See Compressor Group					

No.	Notes	MODEL COOLING CAPACITY VARIATION	RPNL	RPNL	RPNL	RPNL	RPNL	RPNL
			-042 JAZ/JBZ	-043 JAZ	-048 JAZ/JBZ	-049 JAZ	-060 JAZ/JBZ	
<b>ELECTRICAL GROUP</b>								
CONTROL BOX COMPONENTS:								
10	Stk	Defrost Control Board - JAZ models	47-21517-22	47-102685-02	47-21517-22	47-102685-02	47-21517-22	
10	Stk	Defrost Control Board - JBZ models	47-21517-16	N/A	47-21517-16	N/A	47-21517-16	
11	Stk	Contactora	42-42478-03	42-42478-03	42-42478-03	42-42478-03	42-42478-02	
12		Capacitor - Compressor Run	See Compressor Group					
13		Start Relay	See Compressor Group					
14		Capacitor - Compressor Start	See Compressor Group					
		Wiring Harness - Fan Motor	See Fan Group					
		Wiring Harness - Compressor Molded Plug	See Compressor Group					

No.	Notes	MODEL COOLING CAPACITY VARIATION	RPNL	RPNL	RPNL	RPNL	RPNL	RPNL
			-024 JEZ	-030 JEZ	-031 JEZ	-036 JEZ	-037 JEZ	-042 JEZ
<b>ELECTRICAL GROUP</b>								
CONTROL BOX COMPONENTS:								
10	Stk,6	Defrost Control Board - Before Date Code 1709 (See Note 6)	47-21517-16	47-21517-16	47-102685-02	47-21517-16	N/A	47-21517-16
10	Stk,6	Defrost Control Board - Date Code 1709 - 2010 (See Note 6)	47-21517-16	47-21517-16	47-102684-01	47-21517-16	N/A	47-21517-16
15	Stk	Control Board - Before Date Code 2310	47-102090-03	47-102090-03	47-102090-03	47-102090-03	N/A	47-102090-03
15	Stk	Control Board - After Date Code 2310	47-102090-06	47-102090-03	47-102090-06	47-102090-06	47-102090-06	47-102090-03
	Stk,6	Ambient Sensor - After Date Code 2310 (See Note 6)	47-102709-01	N/A	47-102709-01	47-102709-01	47-102709-01	N/A
	Stk,6	Defrost Sensor - After Date Code 2310 (See Note 6)	47-102710-01	N/A	47-102710-01	47-102710-01	47-102710-01	N/A
12		Capacitor - Compressor Run	See Compressor Group					
13		Start Relay	See Compressor Group					
14		Capacitor - Compressor Start	See Compressor Group					
20	Stk	Defrost Relay - Before Date Code 2310	42-23114-06	42-23114-06	42-23114-06	42-23114-06	N/A	42-23114-06
20	Stk	Defrost Relay - After Date Code 2310	N/A	42-23114-06	N/A	N/A	N/A	42-23114-06
	3	Wiring Harness - After Date Code 2310 (7 pin to 6 Stripped Leads)	45-102134-10	N/A	45-102134-10	45-102134-10	45-102134-10	N/A
	3	Wiring Harness - After Date Code 2310 (8 pin to 6 Quick Connects)	45-102180-02	N/A	45-102180-02	45-102180-02	45-102180-02	N/A
		Terminal Block (2) - After Date Code 2310	45-102124-01	N/A	45-102124-01	45-102124-01	45-102124-01	N/A
		Bushing - Strain Relief (After Date Code 2310)	45-17055-18	N/A	45-17055-18	45-17055-18	45-17055-18	N/A
	3	Wiring Harness - Fan Motor (See Note 3)	See Fan Group					
	3	Wiring Harness - Compressor Molded Plug (See Note 3)	See Compressor Group					
	3	Wiring Harnesses	See Note 3					

No.	Notes	MODEL COOLING CAPACITY VARIATION	RPNL -043 JEZ	RPNL -048 JEZ	RPNL -049 JEZ	RPNL -060 JEZ
<b>ELECTRICAL GROUP</b>						
CONTROL BOX COMPONENTS:						
10	Stk,6	Defrost Control Board - Before Date Code 1709 (See Note 6)	47-102685-02	47-21517-16	47-102685-02	47-21517-16
10	Stk,6	Defrost Control Board - Date Code 1709 - 2010 (See Note 6)	47-102684-01	47-21517-16	47-102684-01	47-21517-16
15	Stk	Control Board - Before Date Code 2310	47-102090-03	47-102090-03	47-102090-03	47-102090-03
15	Stk	Control Board - After Date Code 2310	47-102090-06	47-102090-03	47-102090-06	47-102090-06
	Stk,6	Ambient Sensor - After Date Code 2310 (See Note 6)	47-102709-01	N/A	47-102709-01	47-102709-01
	Stk,6	Defrost Sensor - After Date Code 2310 (See Note 6)	47-102710-01	N/A	47-102710-01	47-102710-01
12		Capacitor - Compressor Run	See Compressor Group			
13		Start Relay	See Compressor Group			
14		Capacitor - Compressor Start	See Compressor Group			
20	Stk	Defrost Relay - Before Date Code 2310	42-23114-06	42-23114-06	42-23114-06	42-23114-06
20	Stk	Defrost Relay - After Date Code 2310	N/A	42-23114-06	N/A	N/A
	3	Wiring Harness - After Date Code 2310 (7 pin to 6 Stripped Leads)	45-102134-10	N/A	45-102134-10	45-102134-10
	3	Wiring Harness - After Date Code 2310 (8 pin to 6 Quick Connects)	45-102180-02	N/A	45-102180-02	45-102180-02
		Terminal Block (2) - After Date Code 2310	45-102124-01	N/A	45-102124-01	45-102124-01
		Bushing - Strain Relief (After Date Code 2310)	45-17055-18	N/A	45-17055-18	45-17055-18
	3	Wiring Harness - Fan Motor (See Note 3)	See Fan Group			
	3	Wiring Harness - Compressor Molded Plug (See Note 3)	See Compressor Group			
	3	Wiring Harnesses	See Note 3			

No.	Notes	MODEL COOLING CAPACITY VARIATION	RPNL -036 CAZ	RPNL -037 CAZ	RPNL -042 CAZ	RPNL -043 CAZ	RPNL -048 CAZ	RPNL -049 CAZ	RPNL -060 CAZ
<b>ELECTRICAL GROUP</b>									
CONTROL BOX COMPONENTS:									
10	Stk	Defrost Control Board	47-21517-22	47-102684-08	47-21517-22	47-102685-02	47-21517-22	47-102685-02	47-21517-22
11	Stk	Contactora	42-22464-01	42-102664-08	42-22464-01	42-22464-01	42-22464-01	42-22464-01	42-22464-03
		Wiring Harness - Fan Motor	See Fan Group						
		Wiring Harness - Compressor Molded Plug	See Compressor Group						

No.	Notes	MODEL COOLING CAPACITY VARIATION	RPNL -036 DAZ	RPNL -037 DAZ	RPNL -042 DAZ	RPNL -043 DAZ	RPNL -048 DAZ	RPNL -049 DAZ	RPNL -060 DAZ
<b>ELECTRICAL GROUP</b>									
CONTROL BOX COMPONENTS:									
10	Stk	Defrost Control Board	47-21517-22	47-102684-08	47-21517-22	47-102685-02	47-21517-22	47-102685-02	47-21517-22
11	Stk	Contactora	42-22464-01	42-102664-08	42-22464-01	42-22464-01	42-22464-01	42-22464-01	42-22464-03
20	Stk	Defrost Relay	42-19736-02	42-19736-02	42-19736-02	42-19736-02	42-19736-02	42-19736-02	42-19736-02
		Wiring Harness - Fan Motor	See Fan Group						
		Wiring Harness - Compressor Molded Plug	See Compressor Group						

No.	Notes	MODEL COOLING CAPACITY VARIATION	RPNL -048 YAZ	RPNL -049 YAZ	RPNL -060 YAZ				
<b>ELECTRICAL GROUP</b>									
CONTROL BOX COMPONENTS:									
10	Stk	Defrost Control Board	47-21517-22	47-102685-02	47-21517-22				
11	Stk	Contactora	42-22464-01	42-22464-01	42-22464-03				
20	Stk	Defrost Relay	42-19736-02	42-19736-02	42-19736-02				
		Wiring Harness - Fan Motor	See Fan Group						
		Wiring Harness - Compressor Molded Plug	See Compressor Group						



No.	Notes	MODEL COOLING CAPACITY ELECTRICAL DESIGNATION	RPNL -018 J	RPNL -024 J	RPNL -030 J	RPNL -031 J			
<b>FAN GROUP</b>									
15	Stk	Fan Motor	See Below		51-101774-02	51-101774-02			
12		Capacitor - Fan Motor	See Compressor Group						
16	Stk	Fan Blade	See Below		70-102011-07	70-102011-09			
	3	Wiring Harness - Fan Motor (JEZ models) - See Note 3	See Below		45-102120-01	45-102120-01			

No.	Notes	MODEL COOLING CAPACITY ELECTRICAL DESIGNATION	RPNL -018 J	RPNL -024 J					
<b>FAN GROUP (before Date Code 1413)</b>									
15	Stk	Fan Motor	51-101774-04	51-101774-04					
12	Stk	Capacitor - Compressor/Fan (2 inch diameter, 35/5/370)	43-26261-40	N/A					
12	Stk	Capacitor - Compressor/Fan (2 inch diameter, 40/5/370)	N/A	43-26261-09					
16	Stk	Fan Blade (3 blade)	70-102011-06	70-102011-06					
	3	Wiring Harness - Fan Motor (JEZ models) - See Note 3	N/A	45-102120-01					

**FAN GROUP (On or After Date Code 1413)**  
**After this date, different fan, motor and capacitor combinations may have been used interchangeably in production. If replacement of any component is required, all three parts should be replaced. For further information - See Note 7**

15	Stk,7	Fan Motor	51-104691-01	51-104691-01					
12	7	Capacitor - Compressor/Fan (2 inch diameter, 30/3/370)	43-101665-03	N/A					
12	7	Capacitor - Compressor/Fan (2 inch diameter, 40/3/370)	N/A	43-101665-07					
16	Stk,7	Fan Blade (2 blade)	70-101323-02	70-104698-01					

No.	Notes	MODEL COOLING CAPACITY ELECTRICAL DESIGNATION	RPNL -036 J	RPNL -037 J	RPNL -042 J	RPNL -043 J	RPNL -048 J	RPNL -049 J	RPNL -060 J
<b>FAN GROUP</b>									
15	Stk	Fan Motor	51-101774-03	51-102008-07	51-101774-03	51-101774-03	51-101774-03	51-101774-03	51-101774-03
12		Capacitor - Fan Motor	See Compressor Group						
16	Stk,2	Fan Blade - See Note 2	70-100580-04	70-100580-04	70-100580-04	70-100580-04	70-100580-04	70-100580-04	70-100580-04
16	2	Fan Blade - See Note 2	70-102011-04	70-102011-10	70-102011-04	70-102011-10	70-102011-04	70-102011-10	70-102011-10
	3	Wiring Harness - Fan Motor (JEZ models) - See Note 3	45-102120-01	45-102120-01	45-102120-01	45-102120-01	45-102120-01	45-102120-01	45-102120-01

No.	Notes	MODEL COOLING CAPACITY ELECTRICAL DESIGNATION	RPNL -036 C	RPNL -037 C	RPNL -042 C	RPNL -043 C	RPNL -048 C	RPNL -049 C	RPNL -060 C
<b>FAN GROUP</b>									
15	Stk	Fan Motor	51-101774-03	51-102008-07	51-101774-03	51-102008-07	51-101774-03	51-102008-07	51-101774-03
12	Stk	Capacitor - Fan Motor	43-100496-12	43-100496-12	43-100496-12	43-100496-12	43-100496-12	43-100496-12	43-100496-12
16	Stk,2	Fan Blade - See Note 2	70-100580-04	70-100580-04	70-100580-04	70-100580-04	70-100580-04	70-100580-04	70-100580-04
16	2	Fan Blade - See Note 2	70-102011-04	70-102011-10	70-102011-04	70-102011-10	70-102011-04	70-102011-10	70-102011-04

No.	Notes	MODEL COOLING CAPACITY VARIATION	RPNL -036 D	RPNL -037 D	RPNL -042 D	RPNL -043 D	RPNL -048 D	RPNL -049 D	RPNL -060 D
<b>FAN GROUP</b>									
15	Stk	Fan Motor	51-101774-05	51-102008-05	51-101774-05	51-101774-05	51-101774-05	51-101774-05	51-101774-05
12	Stk	Capacitor - Fan Motor	43-100496-04	43-100496-04	43-100496-04	43-100496-04	43-100496-04	43-100496-04	43-100496-04
16	Stk,2	Fan Blade - See Note 2	70-100580-04	70-100580-04	70-100580-04	70-100580-04	70-100580-04	70-100580-04	70-100580-04
16	2	Fan Blade - See Note 2	70-102011-04	70-102011-10	70-102011-04	70-102011-10	70-102011-04	70-102011-10	70-102011-04

No.	Notes	MODEL COOLING CAPACITY VARIATION	RPNL -048 Y	RPNL -049 Y	RPNL -060 Y				
<b>FAN GROUP</b>									
15	Stk	Fan Motor	51-101774-10	51-101774-10	51-101774-10				
12	Stk	Capacitor - Fan Motor	43-100496-04	43-100496-04	43-100496-04				
16	Stk,2	Fan Blade - See Note 2	70-100580-04	70-100580-04	70-100580-04				
16	2	Fan Blade - See Note 2	70-102011-04	70-102011-10	70-102011-04				

No.	Notes	MODEL COOLING CAPACITY	RPNL -018	RPNL -024	RPNL -030	RPNL -031	RPNL -036	RPNL -037
<b>COIL GROUP</b>								
8		Service Valve - Suction	See Panels - Miscellaneous					
9		Service Valve - Liquid	See Panels - Miscellaneous					
17	Stk	Condenser Coil	AS-102094-03	AS-102229-03	AS-102019-03	AS-101863-03	AS-101974-03	AS-102019-03
		Distributor - 2 way (5/8 in. to 3/8 in.) - w/o Header Tubes	83-17467-03	83-17467-03	N/A	83-17467-03	N/A	N/A
		Distributor w/Strainer	83-102186-01	83-102186-01	83-102186-02	83-102186-01	83-102186-02	83-102186-02
	Stk	Filter Drier	83-41719-02	83-41719-02	83-41719-02	83-41719-02	83-41719-02	83-41719-02
	Stk	High Pressure Control (90 Deg Elbow with 5/16 inch connection) - before W0311	47-26184-02	47-26184-02	47-26184-02	47-26184-02	47-26184-02	47-26184-02
	Stk	High Pressure Control (90 Deg Elbow with 1/4 inch connection) - after W0311	47-103669-01	47-103669-01	47-103669-01	47-103669-01	47-103669-01	47-103669-01
	Stk	Low Pressure Control (90 Deg Elbow with 5/16 inch connection) - before W0311	47-101529-07	47-101529-07	47-101529-07	47-101529-07	47-101529-07	47-101529-07
	Stk	Low Pressure Control (90 Deg Elbow with 1/4 inch connection) - after W0311	47-103670-03	47-103670-03	47-103670-03	47-103670-03	47-103670-03	47-103670-03
	Stk	Muffler	83-26251-01	83-26251-01	83-26251-01	83-26251-01	83-26251-01	83-26251-01
	Stk,4	Reversing Valve - See Note 4	61-102498-04	61-102498-04	61-102498-09	61-102331-04	61-102498-09	61-102498-09
	Stk	Solenoid Coil - Reversing Valve Kit	61-101713-92	61-101713-92	61-101713-92	61-101713-92	61-101713-92	61-101713-92
		Wiring Harness - Reversing Valve (JAZ, JBZ, CAZ, DAZ, YAZ models)	61-26149-04	61-26149-04	61-26149-04	61-26149-04	61-26149-04	61-26149-04
	3	Wiring Harness - Reversing Valve (JEZ models) - See Note 3	N/A	61-26149-03	61-26149-03	61-26149-03	61-26149-03	61-26149-03
		Charge Compensator	N/A	N/A	N/A	N/A	83-25361-01	83-25361-02
	Stk, 1	TXV - Emerson (See Note 1)	61-26196-19	61-26196-16	61-26196-20	61-26196-20	61-26196-16	N/A
	Stk, 1	TXV - Sporlan (See Note 1)	61-102321-01	61-102321-01	61-102321-06	N/A	61-102321-07	61-102321-19
		Bulb Strainer (3/8 in. X 1/2 in.)	83-26020-07	83-26020-07	83-26020-07	N/A	83-26020-07	N/A
		Bulb Strainer (3/8 in. X 3/8 in.)	83-26020-04	83-26020-04	83-26020-04	83-26020-02	83-26020-04	83-26020-02

No.	Notes	MODEL COOLING CAPACITY	RPNL -042	RPNL -043	RPNL -048	RPNL -049	RPNL -060
<b>COIL GROUP</b>							
8		Service Valve - Suction	See Panels - Miscellaneous				
9		Service Valve - Liquid	See Panels - Miscellaneous				
17	Stk	Condenser Coil	AS-102137-03	AS-102825-03	AS-102137-03	AS-102825-03	AS-102137-03
		Distributor w/Strainer	83-102186-02	83-102186-02	83-102186-02	83-102186-02	83-102186-02
	Stk	Filter Drier	83-41719-02	83-41719-02	83-41719-02	83-41719-02	83-41719-02
	Stk	High Pressure Control (90 Deg Elbow with 5/16 inch connection) - before W0311	47-26184-02	47-26184-02	47-26184-02	47-26184-02	47-26184-02
	Stk	High Pressure Control (90 Deg Elbow with 1/4 inch connection) - after W0311	47-103669-01	47-103669-01	47-103669-01	47-103669-01	47-103669-01
	Stk	Low Pressure Control (90 Deg Elbow with 5/16 inch connection) - before W0311	47-101529-07	47-101529-07	47-101529-07	47-101529-07	47-101529-07
	Stk	Low Pressure Control (90 Deg Elbow with 1/4 inch connection) - after W0311	47-103670-03	47-103670-03	47-103670-03	47-103670-03	47-103670-03
	Stk	Muffler	83-26251-01	83-26251-01	83-26251-01	83-26251-01	83-26251-01
	Stk,4	Reversing Valve - See Note 4	61-101684-06	61-101684-06	61-101684-06	61-101684-06	N/A
	Stk	Reversing Valve - Before Date Code W2812	N/A	N/A	N/A	N/A	61-101684-03
	Stk	Reversing Valve - After Date Code W2812	N/A	N/A	N/A	N/A	61-102498-06
	Stk	Solenoid Coil - Reversing Valve Kit	61-101713-92	61-101713-92	61-101713-92	61-101713-92	61-101713-92
		Wiring Harness - Reversing Valve (JAZ, JBZ, CAZ, DAZ, YAZ models)	61-26149-04	61-26149-04	61-26149-04	61-26149-04	61-26149-04
	3	Wiring Harness - Reversing Valve (JEZ models) - See Note 3	61-26149-03	61-26149-03	61-26149-03	61-26149-03	61-26149-03
		Charge Compensator	N/A	N/A	N/A	N/A	83-25361-09
	Stk, 1	TXV - Emerson (See Note 1)	61-26196-17	61-26196-17	61-26196-17	61-26196-17	61-26196-18
	Stk, 1	TXV - Sporlan (See Note 1)	61-102321-03	N/A	61-102321-08	N/A	61-102321-05
		Bulb Strainer (3/8 in. X 1/2 in.)	83-26020-07	N/A	83-26020-07	N/A	N/A
		Bulb Strainer (3/8 in. X 3/8 in.)	83-26020-04	83-26020-02	83-26020-04	83-26020-02	83-26020-02

No.	Notes	MODEL COOLING CAPACITY ELECTRICAL DESIGNATION	RPNL -018 J	RPNL -024 J	RPNL -030 J	RPNL -031 J	RPNL -036 J	RPNL -037 J
<b>COMPRESSOR GROUP</b>								
		<b>Compressor ID:</b>	<b>7474</b>	<b>7475</b>	<b>7476</b>	<b>7856</b>	<b>7477</b>	<b>7857</b>
18	Stk	Compressor	55-102045-14S	55-102045-01S	55-102045-02S	55-102045-02S	55-102045-15S	55-102045-03S
	Stk	Compressor Wiring Harness (Molded Plug) - JAZ/JBZ	45-100834-80	45-100834-80	45-100834-80	45-100834-80	45-100834-80	45-100834-80
	Stk,3	Compressor Wiring Harness (Molded Plug) - JEZ (See Note 3)	N/A	45-100834-07	45-100834-07	45-100834-07	45-100834-07	45-100834-07
12	Stk,8	Capacitor - Compressor/Fan (2 inch diameter)	See Note 8		43-26261-09	43-101665-09	43-26271-48	43-26271-48
12	Stk	Capacitor - Compressor/Fan (2-1/2 inch diameter)	N/A	N/A	N/A	N/A	43-101665-48	43-101665-48
13	Stk	Start Relay	42-18282-09	42-18282-09	42-18282-09	42-100491-09	42-18282-09	42-18282-09
14	Stk	Start Capacitor	43-17075-04	43-17075-04	43-17075-04	43-17075-04	43-17075-04	43-17075-04

No.	Notes	MODEL COOLING CAPACITY ELECTRICAL DESIGNATION	RPNL -042 J	RPNL -043 J	RPNL -048 J	RPNL -049 J	RPNL -060 J	
<b>COMPRESSOR GROUP</b>								
		<b>Compressor ID:</b>	<b>7478</b>	<b>7858</b>	<b>7479</b>	<b>7859 / 7866 (See Note 5)</b>	<b>7480</b>	
18	Stk	Compressor	55-102045-17S	55-102045-17S	55-102045-09S	55-102045-09S	55-102045-13S	
	Stk	Compressor Wiring Harness (Molded Plug) - JAZ/JBZ	45-100834-80	45-100834-80	45-100834-80	45-100834-80	45-100834-80	
	Stk,3	Compressor Wiring Harness (Molded Plug) - JEZ (See Note 3)	45-100834-07	45-100834-07	45-100834-08	45-100834-07	45-100834-08	
12	Stk	Capacitor - Compressor/Fan (2 inch diameter)	43-26261-48	43-26271-48	N/A	N/A	N/A	
12	Stk	Capacitor - Compressor/Fan (2-1/2 inch diameter)	43-101665-48	43-101665-48	43-26261-47	43-26271-47	43-26271-30	
13	Stk	Start Relay	42-18282-09	42-100491-09	42-18282-09	42-100491-09	42-18282-09	
14	Stk	Start Capacitor	43-17075-04	43-17075-04	43-17075-04	43-17075-04	43-17075-04	

No.	Notes	MODEL COOLING CAPACITY ELECTRICAL DESIGNATION	RPNL -036 C	RPNL -037 C	RPNL -042 C	RPNL -043 C	RPNL -048 C	RPNL -049 C
<b>COMPRESSOR GROUP</b>								
		<b>Compressor ID:</b>	<b>7481</b>	<b>7860</b>	<b>7482</b>	<b>7862</b>	<b>7483</b>	<b>7864</b>
18	Stk	Compressor	55-102045-19S	55-102045-05S	55-102045-21S	55-102045-21S	55-102045-11S	55-102045-11S
	Stk	Compressor Wiring Harness (Molded Plug)	45-100834-80	45-100834-80	45-100834-80	45-100834-80	45-100834-80	45-100834-80

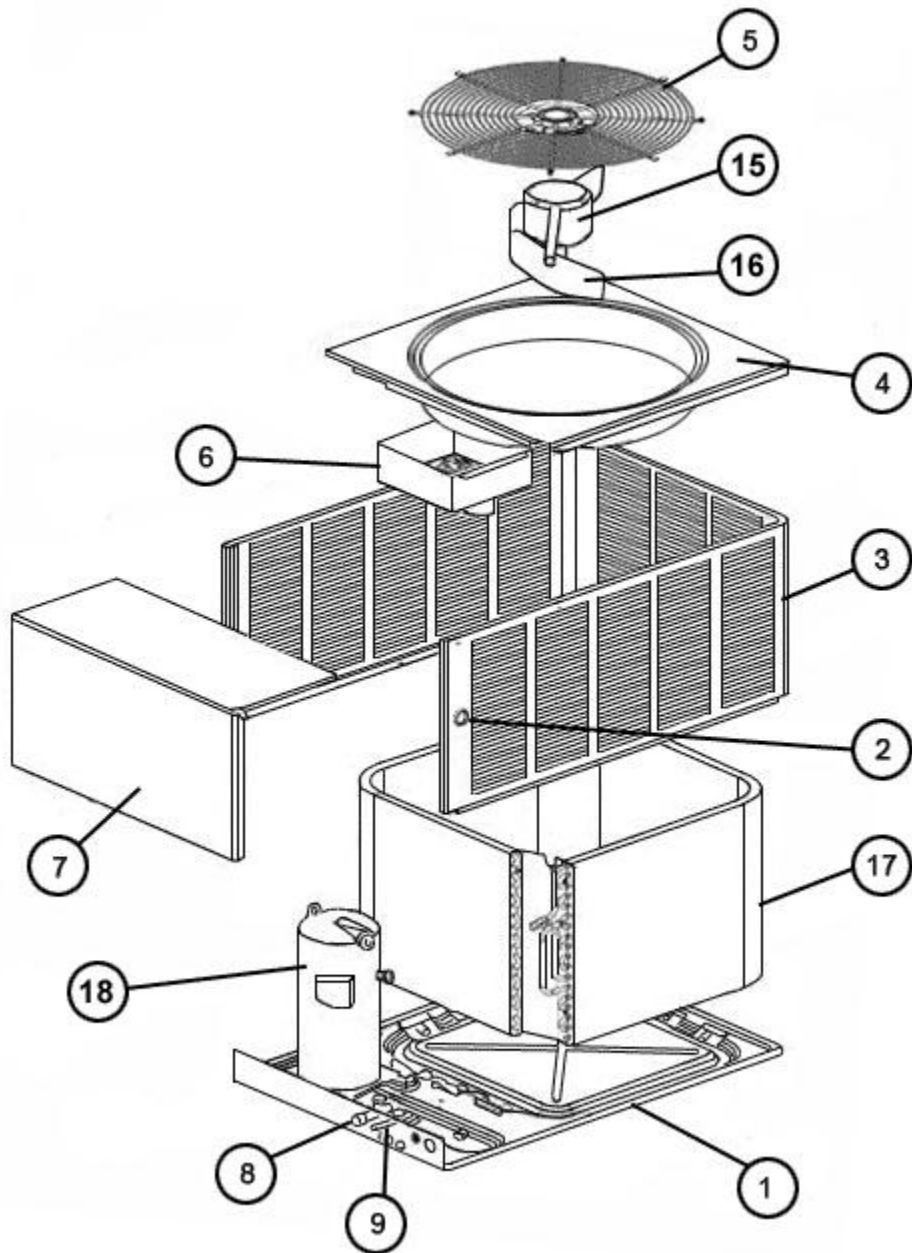
No.	Notes	MODEL COOLING CAPACITY ELECTRICAL DESIGNATION	RPNL -060 C					
<b>COMPRESSOR GROUP</b>								
		<b>Compressor ID:</b>	<b>7484</b>					
18	Stk	Compressor	55-102045-22S					
	Stk	Compressor Wiring Harness (Molded Plug)	45-100834-80					

No.	Notes	MODEL COOLING CAPACITY ELECTRICAL DESIGNATION	RPNL -036 D	RPNL -037 D	RPNL -042 D	RPNL -043 D	RPNL -048 D	RPNL -049 D
<b>COMPRESSOR GROUP</b>								
		Compressor ID:	7485	7861	7486	7863	7487	7865
18	Stk	Compressor	55-102045-18S	55-102045-04S	55-102045-20S	55-102045-20S	55-102045-10S	55-102045-10S
	Stk	Compressor Wiring Harness (Molded Plug)	45-100834-80	45-100834-80	45-100834-80	45-100834-80	45-100834-80	45-100834-80

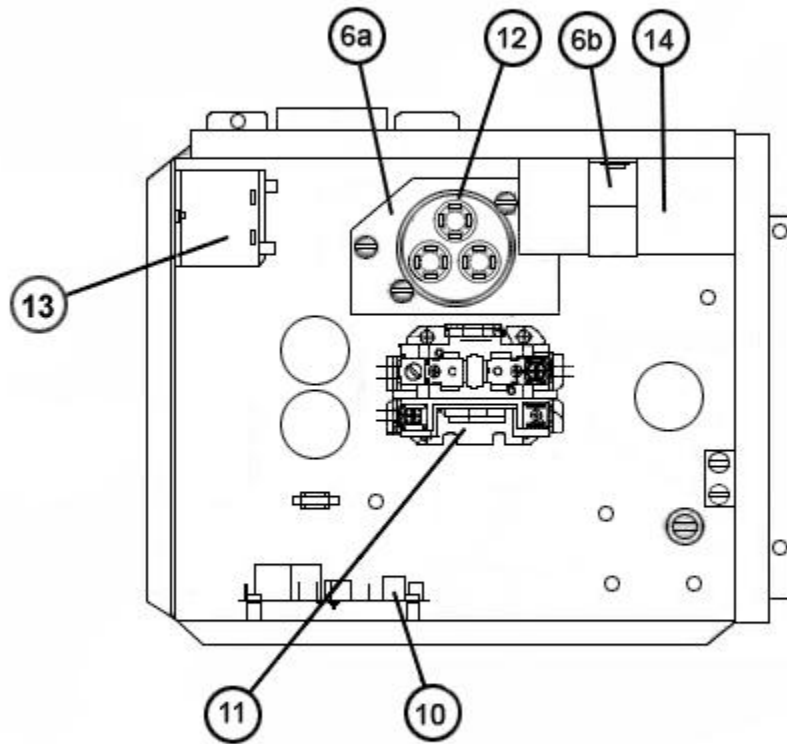
No.	Notes	MODEL COOLING CAPACITY ELECTRICAL DESIGNATION	RPNL -060 D					
<b>COMPRESSOR GROUP</b>								
		Compressor ID:	7488					
18	Stk	Compressor	55-102045-23S					
	Stk	Compressor Wiring Harness (Molded Plug)	45-100834-80					

No.	Notes	MODEL COOLING CAPACITY ELECTRICAL DESIGNATION	RPNL -048 Y	RPNL -049 Y	RPNL -060 Y			
<b>COMPRESSOR GROUP</b>								
		Compressor ID:	7489	7866 (See Note 5)	7490			
18	Stk	Compressor	55-102045-29S	55-102045-29S	55-102045-30S			
	Stk	Compressor Wiring Harness (Molded Plug)	45-100834-80	45-100834-80	45-100834-80			

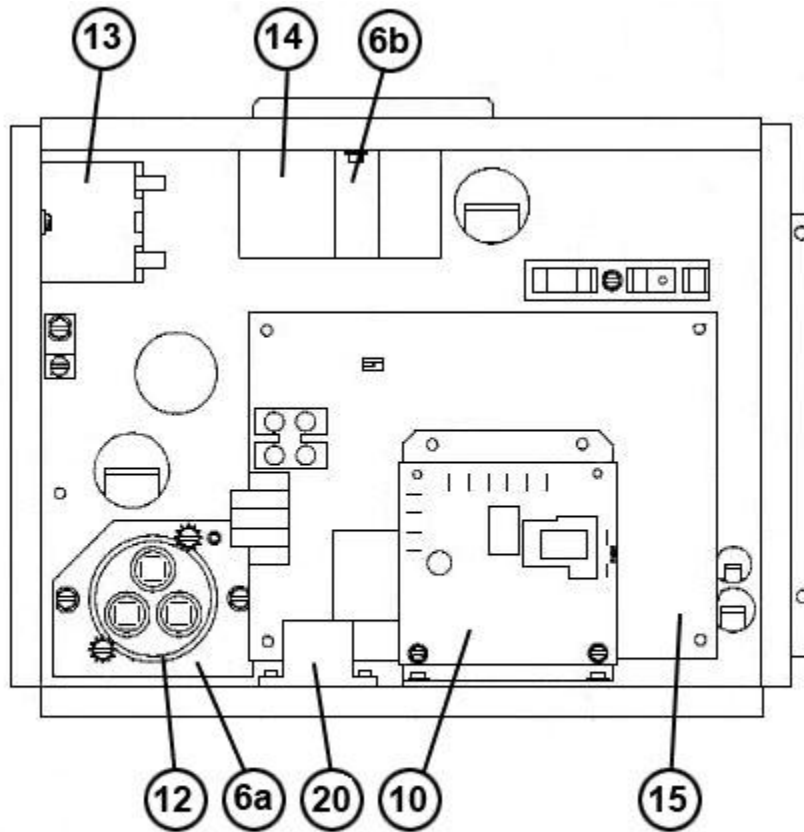
No.	Notes	MODEL VARIATIONS	RPNL ALL
<b>ACCESSORIES</b>			
		Low Ambient Control	RXAD-A08
		Outdoor Thermostat (One Thermostat w/box)	RXPT-A01
		Outdoor Thermostat (One Thermostat w/o box)	RXPT-A02
		Outdoor Thermostat (One w/Heat Relay and box)	RXPT-A03
		Outdoor Thermostat (Two Thermostats w/Heat and box)	RXPT-A04
		Blower Time Delay Control	RXMD-C04



Exploded View

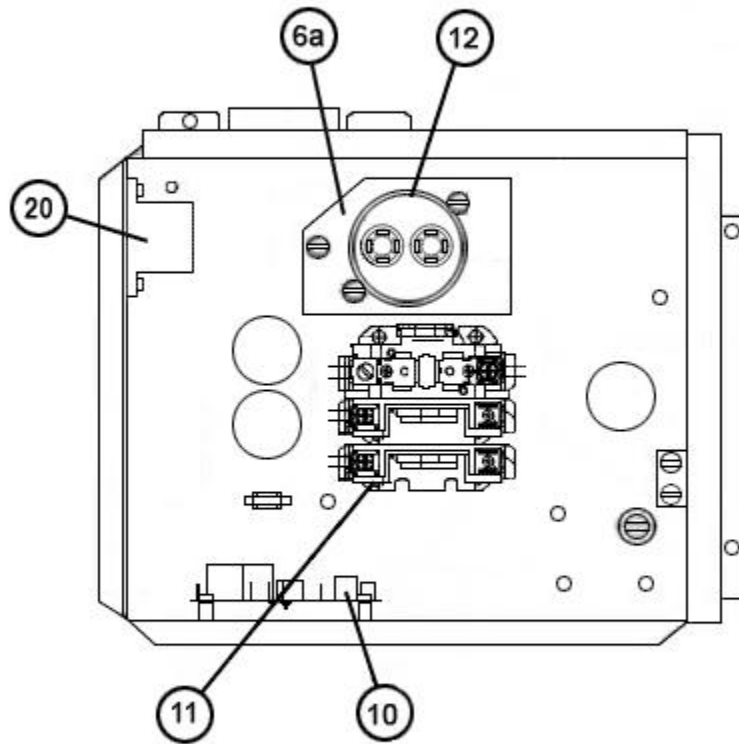


Control Box Assembly (JAZ JBZ)



Control Box Assembly (JEZ)





Control Box Assembly (CAZ DAZ YAZ)

# NOTES

Stk It is recommended that stock be maintained for this part.

N/A Not Applicable

- 1 The Sporlan and Emerson valves specified for this unit may be interchanged in service. The valves are interchangeable for this specific model only.
- 2 70-100580-04 is a 3-blade design, and 70-102011(-04, -10) is a 2-blade design. The replacement fan blades are interchangeable on the listed units, and either may be used for replacement.
- 3 Wiring Harnesses not listed individually are included with the JEZ model Control Box (item 6).
- 4 The reversing valve specified for 030, 036, 037, 042, 043, 048, 049 models may be different than the one originally supplied with the equipment. The use of the specified valve is recommended for improved shifting performance.
- 5 Between date codes W1109 and W2609 some 049J (208/230V) models were incorrectly marked with compressor ID 7866 which is for 049Y (575V) models. These should have been marked 7859.
- 6 Replacement Defrost Boards for units produced before Date Code 2310 include Ambient and Defrost Sensors with the Replacement Defrost Board Kit. For JEZ units produced after Date Code 2310 the defrost function is integral with the main control board, and Ambient and Defrost Sensors should be ordered separately. Note: Date Code is Approximate.
- 7 Only specific combination's of fan motor/fan blade/capacitor can be used. Interchanging component's can cause overheating, noise, or improper unit operation.

Other combinations used in production after 1413 are as follows:

---

Motor 51-104692-01

Fan Blade 70-101323-02 (2 blade)

Capacitor 43-101665-03 (30/3/370) for -018

Capacitor 43-101665-07 (40/3/370) for -024

---

Motor 51-101774-04

Fan Blade 70-102011-06 (3 blade)

Capacitor 43-101665-40 (30/5/370) for -018

Capacitor 43-101665-09 (40/5/370) for -024

- 
- 8 To determine the compressor run capacitor (-018,-024), the required capacitance for the fan motor must be determined as follows:  
For 3 uF fan motor, use 43-101665-03 (30/3/370) for -018  
For 5 uF fan motor, use 43-101665-40 (30/5/370) for -018  
For 3 uF fan motor, use 43-101665-07 (40/3/370) for -024  
For 5 uF fan motor, use 43-101665-09 (40/5/370) for -024

**DISCLAIMER:** This document is intended to provide general replacement parts information to aid qualified service personnel in the repair of these models. The complete Model and Serial Number of the unit under repair should be specified when selecting and ordering replacement parts. Specifications and illustrations are subject to change without notice. Document 92-42800-RPNL supersedes all previous parts lists for these models. See <http://www.rheempartslists.net/92-42800-RPNL> for the latest revision of this document. The manufacturer assumes no obligation for errors or omissions. Service personnel must verify the proper and safe operation of equipment after the replacement of any original components.