



LF FEMALE COMPRESSION TEE WATER HAMMER ARRESTOR

Product Features

- Helps to eliminate shock waves generated in piping systems by sudden on/off changes in flow
- Compression x Female Compression designed to install either between stub out and supply stop or between supply stop and supply tube for dishwashers, faucets, toilets or ice makers
- Polypropylene piston
- AA arrestors are suitable for 1-3 fixture units
- May be installed at any angle
- To function more effectively, please install within 6 feet of the fixture the arrestor is servicing.
- Temperature range: 33°F to 180°F
- Max. working pressure: 350psi
- Meets ASSE 1010
- NSF 61 & NSF 372 compliant
- cUPC/IAPMO listed

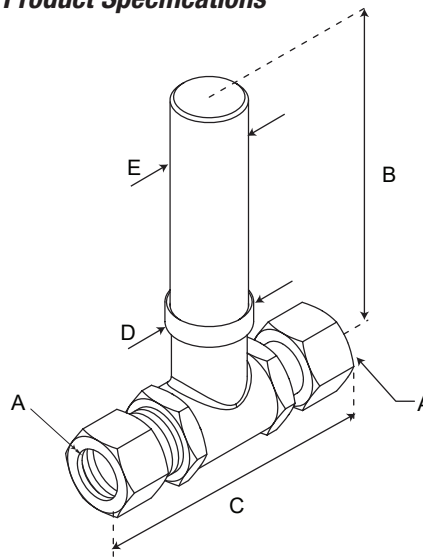


PFXWHACTD

Model Numbers:

- PFXWHACTC** 3/8" OD compression tee X 3/8" OD Female compression
- PFXWHACTD** 5/8" OD compression tee X 5/8" OD Female compression

Product Specifications



| Model Numbers | A | B | C | D | E |
|---------------|--|-----------------|------------------|-----------------|--------------|
| PFXWHACTC | 3/8" OD compression tee X 3/8" OD Female compression | 2-1/2" (63.5mm) | 2-3/16" (55.6mm) | 15/16"(25.01mm) | 7/8"(22.2mm) |
| PFXWHACTD | 5/8" OD compression tee X 5/8" OD Female compression | 2-1/2" (63.5mm) | 2-1/4" (57.2mm) | 15/16"(25.01mm) | 7/8"(22.2mm) |

* All measurements are nominal. Please verify before actual installation.

Warranty and Codes

This PROFLO product carries a 1-year limited warranty.



FERGUSON.COM/PROFLO