

# SERVICE PARTS LIST FOR MITSUBISHI ELECTRIC PACKAGED AIR-CONDITIONERS

**Series : SEZ-KD·NA.TH**

REVISED

Oct. 2010

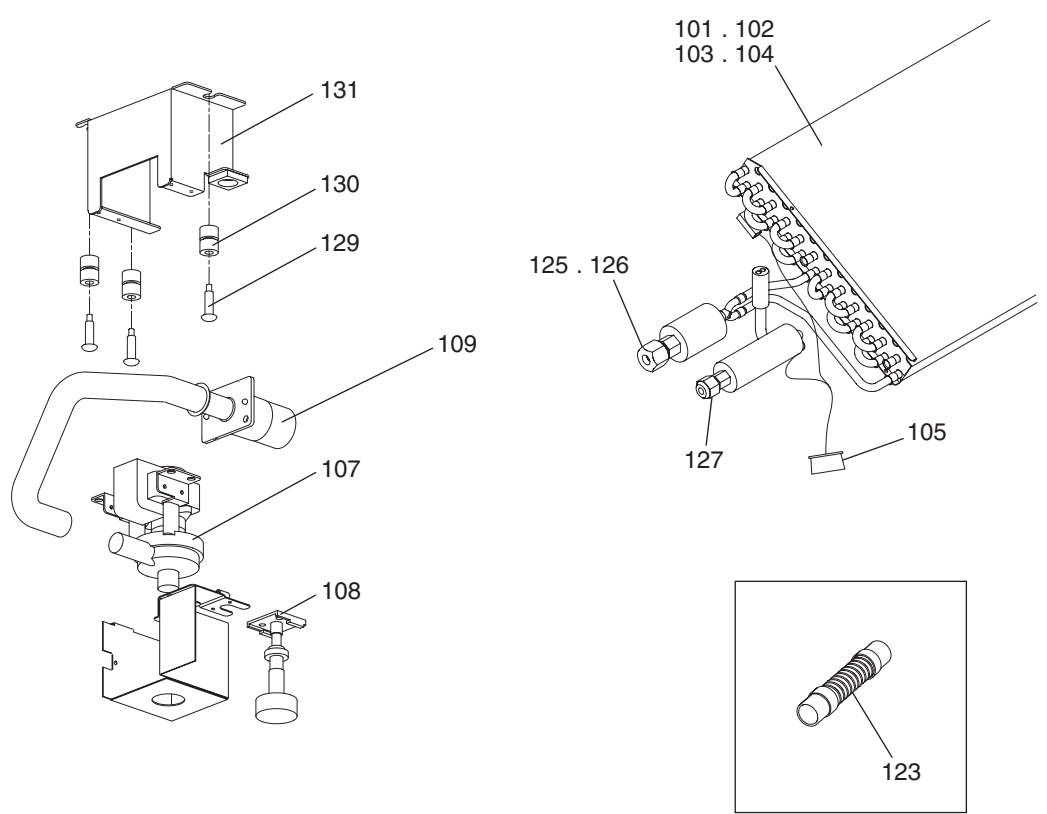
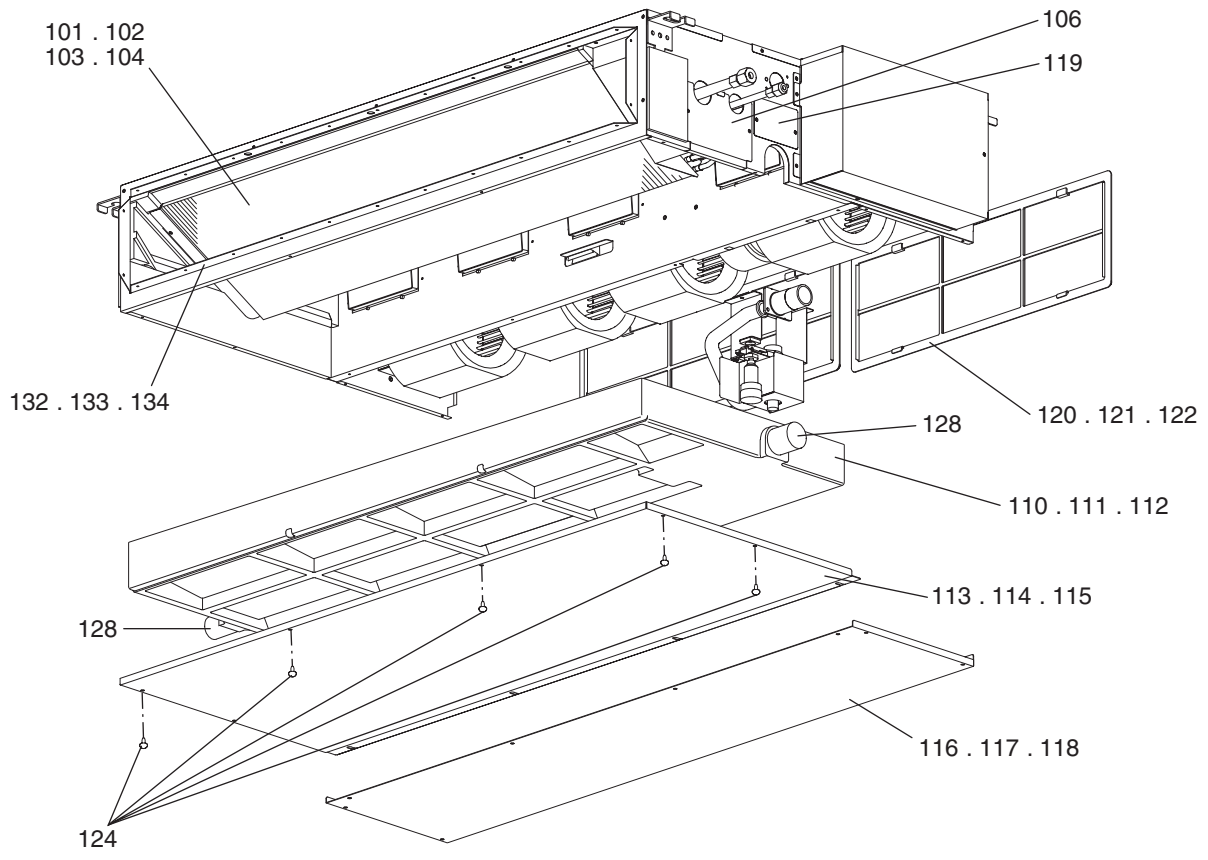
BWE0801C

INDEX
SEZ-KD09NA.TH
SEZ-KD12NA.TH
SEZ-KD15NA.TH
SEZ-KD18NA.TH

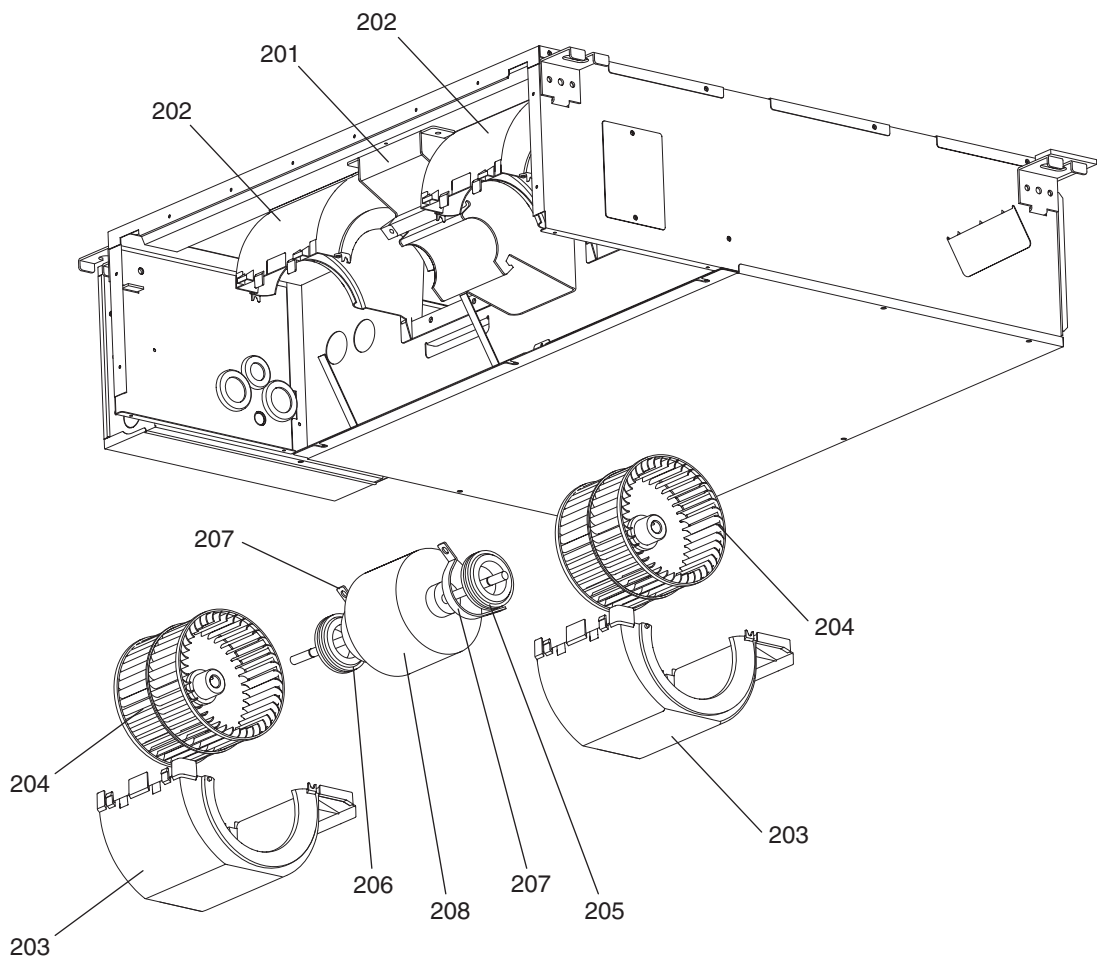


SEZ-KD09,KD12NA.TH  
SEZ-KD15,KD18NA.TH

### EXTERNAL PARTS



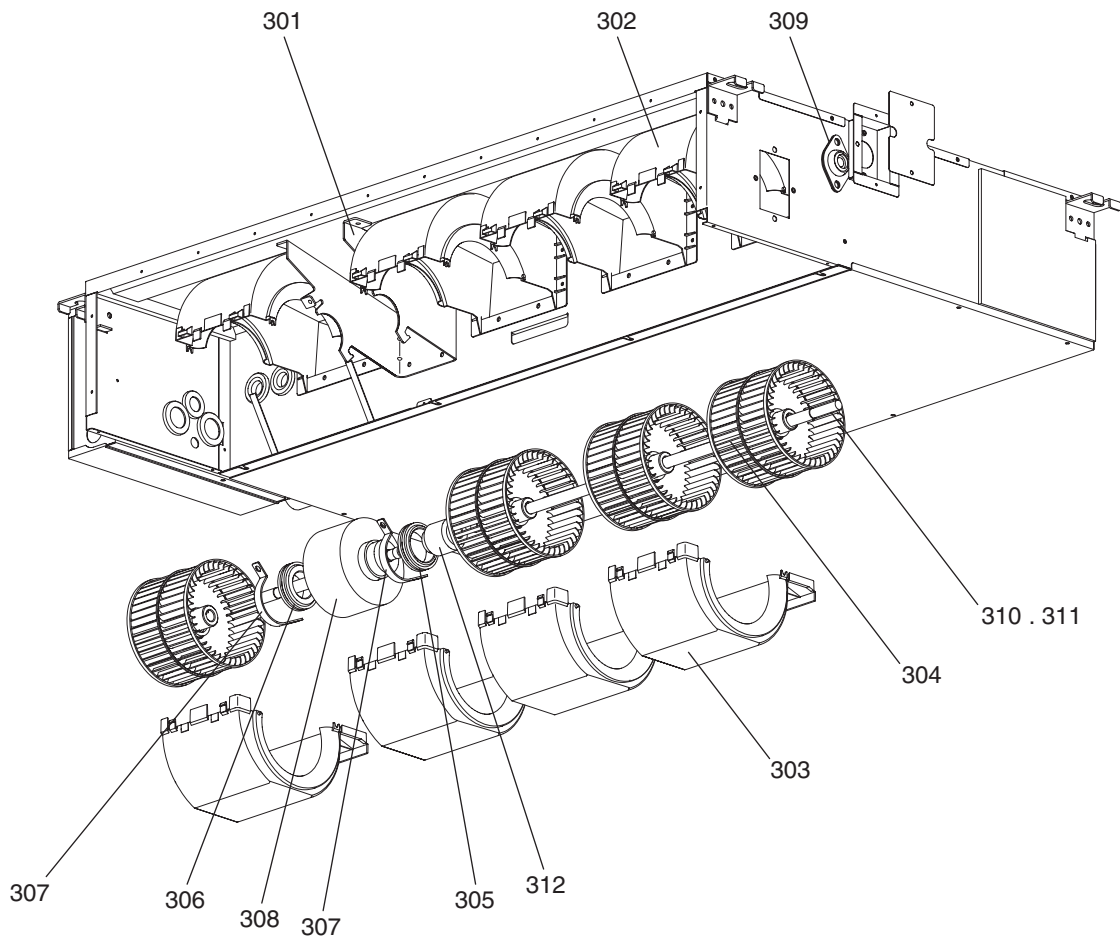
No.	Part No.	G : RoHS Apply Only W : RoHS Apply by Running Change		Spec.	SEZ-KD09NA.TH	SEZ-KD12NA.TH	SEZ-KD15NA.TH	SEZ-KD18NA.TH	Dwg. No.	Notes for the models	Revision info.
		Part Name									
101	E17 319 620	G	HEAT EXCHANGER	<K25>	1				KB00A073B01		
102	E17 320 620	G	HEAT EXCHANGER	<K35>		1			KB00A076B01		
103	E17 321 620	G	HEAT EXCHANGER	<K50>			1		KB00A076B02		
104	E17 531 620	G	HEAT EXCHANGER	<K60>				1	KB00A078B03		
105	E17 319 307	G	THERMISTOR		1	1	1	1	RG71V202G01		
106	E17 319 690	G	COVER PIPE ASSY		1	1	1	1	KB00H214G02		
107	E17 409 355	G	PUMP	PLD	1	1	1	1	KB56B515H02		
108	E17 409 145	G	FLOAT SWITCH		1	1	1	1	BH68C952H02		
109	E17 409 704	G	SOCKET ASSY		1	1	1	1	KB00G754G01		
110	E17 472 700	G	DRAIN PAN S ASSY		1				KB00G775G16		Chg.
111	E17 475 700	G	DRAIN PAN M ASSY			1	1		KB00G775G17		Chg.
112	E17 477 700	G	DRAIN PAN L ASSY					1	KB00G775G18		Chg.
113	E17 472 717	G	PANEL UNDER 1 S ASSY		1				KB00G776G10		Chg.
114	E17 475 717	G	PANEL UNDER 1 M ASSY			1	1		KB00G776G11		Chg.
115	E17 477 717	G	PANEL UNDER 1 L ASSY					1	KB00G776G12		Chg.
116	E17 319 718	G	PANEL UNDER 2 S		1				KB02B455G02		
117	E17 320 718	G	PANEL UNDER 2 M			1	1		KB02B457G01		
118	E17 326 718	G	PANEL UNDER 2 L					1	KB02A071G02		
119	E17 409 690	G	COVER ASSY		1	1	1	1	KB00H222G03		
120	E17 319 100	G	FILTER 15		1				KB35B272G02		
121	E17 320 100	G	FILTER 40			1	1		KB35B207G02		
122	E17 326 100	G	FILTER 63					2	KB35B208G02		
123	E17 319 702	G	DRAIN HOSE		1	1	1	1	KB27T150H01		Chg.
124	E17 319 250	G	SCREW ASSY		4	5	5	5	KB12H389G01		
125	E17 321 660	G	NUT FLARE	1/2			1	1	BG12S008H01		
126	E17 319 660	G	NUT FLARE	3/8	1	1			Z211A143H06		
127	E17 320 660	G	NUT FLARE	1/4	1	1	1	1	Z211A143H01		
128	E17 414 524	G	PLUG	RUBBER	2	2	2	2	KB26H049H01		
129	E17 548 250	G	SCREW SPECIAL	M4x6	3	3	3	3	Z003Z333H05		Add.
130	DB26F013L01	G	CUSHION		3	3	3	3	DB26F013L01		Add.
131	KB00M769G02	G	ATTACHMENT PUMP		1	1	1	1	KB00M769G02		Add.
132	E17 528 800	G	PANEL DUCT S ASSY		1				KB00G751G07		Add.
133	E17 529 800	G	PANEL DUCT M ASSY			1	1		KB00G751G08		Add.
134	E17 531 800	G	PANEL DUCT L ASSY					1	KB00G751G09		Add.





SEZ-KD15NA.TH  
SEZ-KD18NA.TH

BLOWER PARTS (2)



SEZ-KD15NA.TH  
 SEZ-KD18NA.TH

BLOWER PARTS (2)

No.	Part No.	G : RoHS Apply Only W : RoHS Apply by Running Change		Spec.	SEZ-KD15NA.TH	SEZ-KD18NA.TH						Dwg. No.	Notes for the models	Revision info.
			Part Name											
301	E17 319 128	G	MOTOR BASE		1	1						KB02B464G02		
302	E17 319 129	G	FAN CASE A ASSY		3	4						KB00G773G03		
303	E17 320 129	G	FAN CASE B ASSY		3	4						KB00G774G03		
304	E17 319 500	G	SIROCCO FAN ASSY		3	4						KB00H341G01		
305	E17 319 505	G	RUBBER MOUNT L		1	1						KB31D833H03		
306	E17 320 505	G	RUBBER MOUNT R		1	1						KB31D833H04		
307	KB02H047G02	G	ATTACHMENT		2	2						KB02H047G02		
308	E17 321 300	G	MOTOR		1	1						KB61B504H02		Chg.
309	E17 321 509	G	BEARING		1	1						KB58C793G01		
310	E17 321 499	G	SHAFT 3FAN		1							KB10B485H03		
311	E17 326 499	G	SHAFT 4FAN			1						KB10B486H03		
312	E17 321 518	G	FAN JOINT ASSY		1	1						KB00R475G01		Chg.

SEZ-KD09,KD12NA.TH  
SEZ-KD15,KD18NA.TH

### CONTROL BOX PARTS

