

AprilAire®

Air Cleaner

INSTALLATION & OPERATING INSTRUCTIONS

Models 4897 & 4898

Air Cleaner Conversion Kit

Metal Rail System – Upgrade to AprilAire 4" Filter

⚠ WARNING

Sharp edges may cause injury from cuts. Use caution when handling sheet metal.

⚠ CAUTION

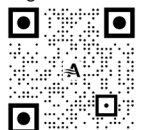
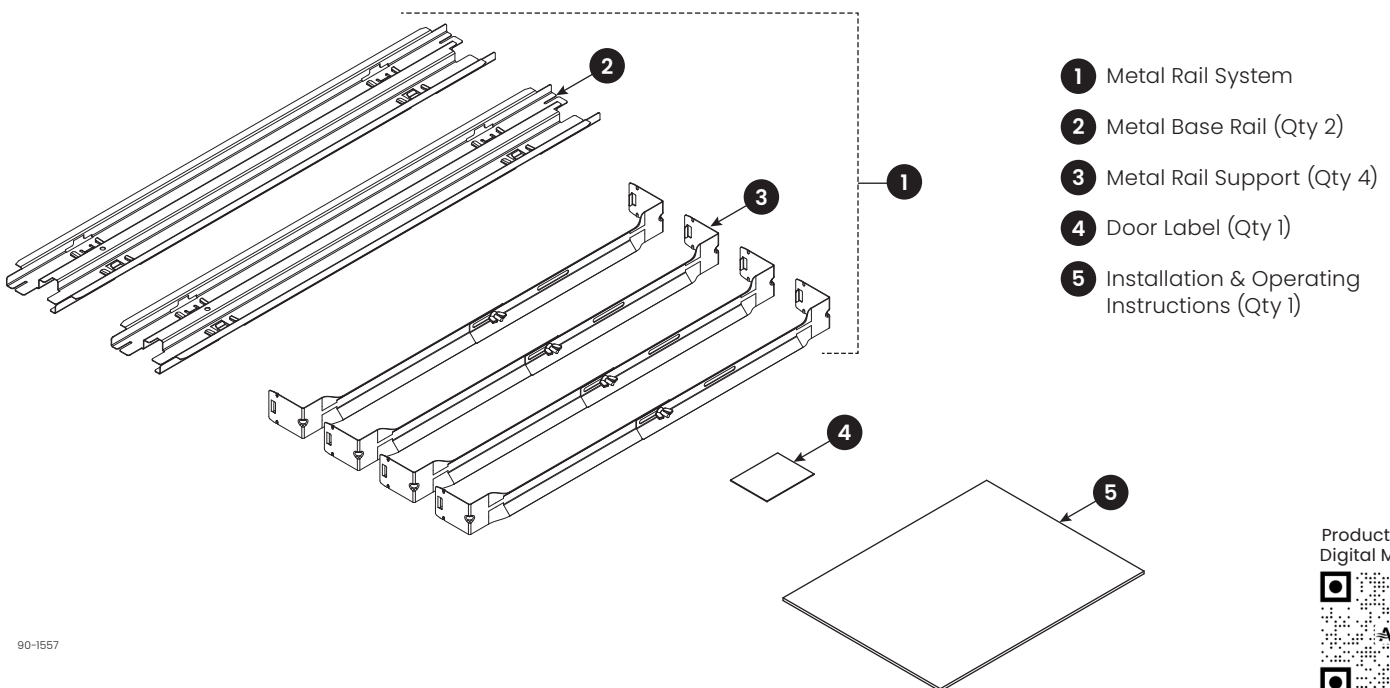
1. Read instructions thoroughly before beginning installation.
2. Do not install the conversion kit in a location where the filter will be directly exposed to UVC light because it will degrade the filter.

APPLICATION

RAIL SYSTEM	FITS AIR CLEANER SIZE	FILTER THICKNESS	COMPATIBLE AIR CLEANER BRANDS*
Model 4897	16" x 25"	4" Thick	AprilAire® Carrier® General® Honeywell® Lennox® Trion® Ultravation®
	20" x 25"		
Model 4898	16" x 20"		
	20" x 20"		

*Upgrade kit compatibility is not limited to these brands.

PACKAGE CONTENTS



INSTALLATION

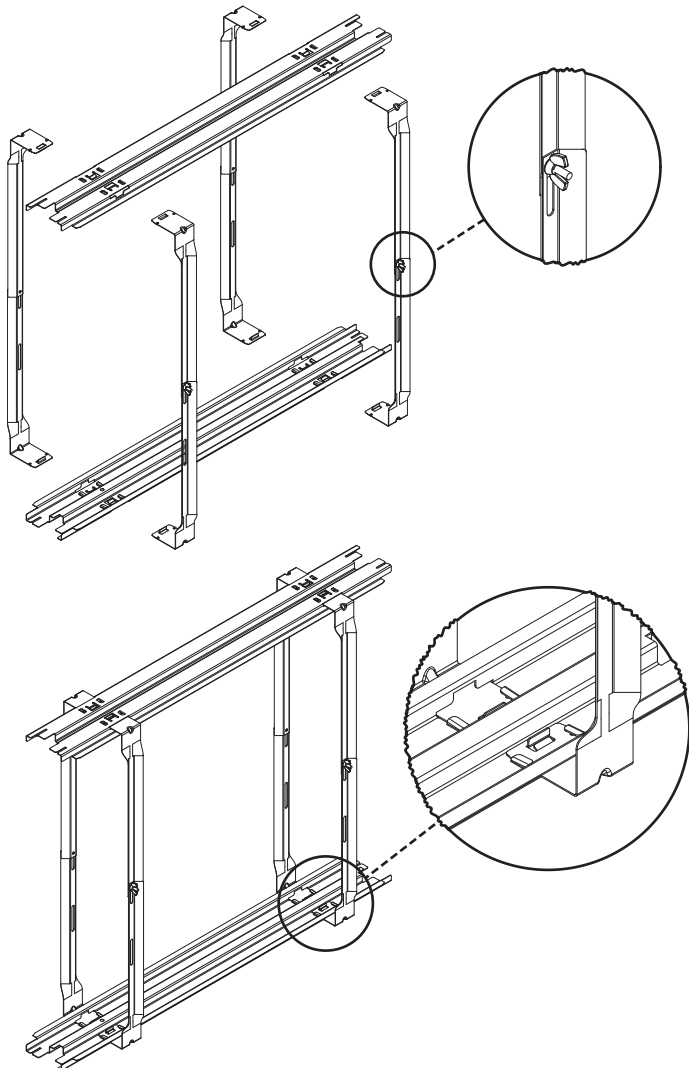
1. **IMPORTANT:** Turn the thermostat mode to OFF and fan to AUTO.



2. Assemble the metal rail system.

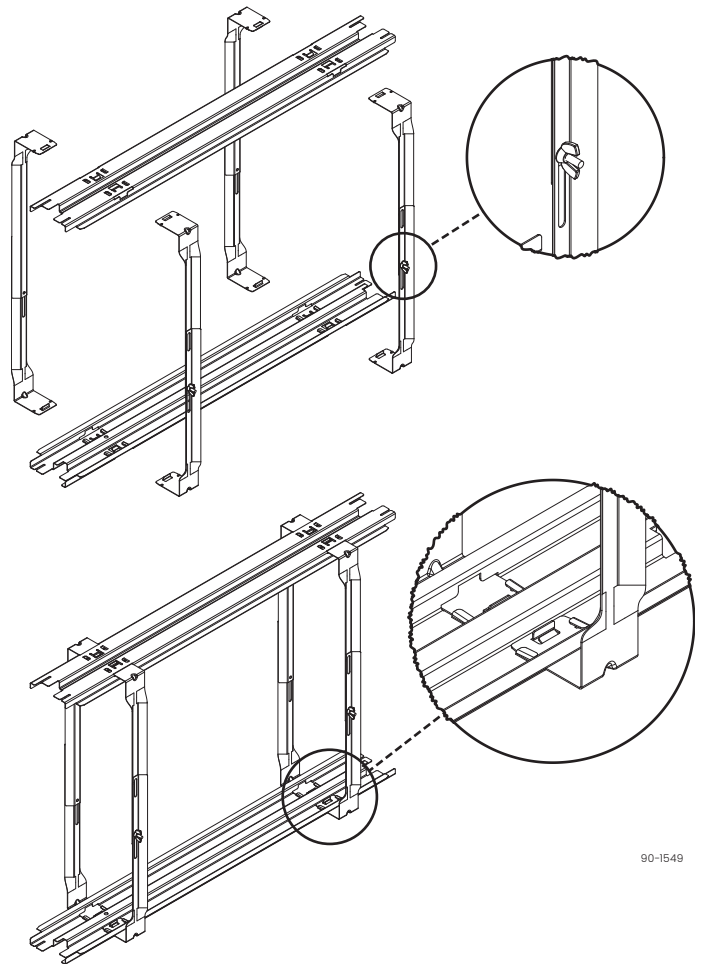
FOR 20" x 20" AND 20" x 25" AIR CLEANERS

- Snap rail supports into base rail as shown – eight (8) places. **Make sure the support slides in and hits the center of the base rail.**
- Adjust each rail support's height to height of air cleaner.



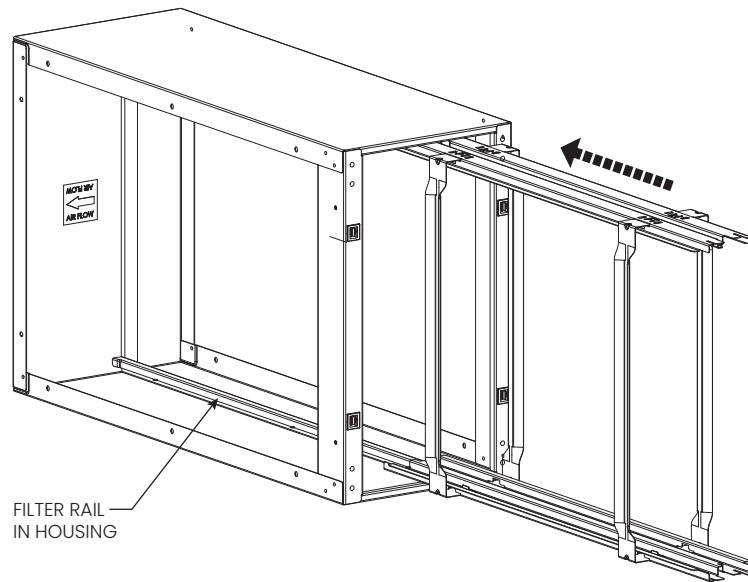
FOR 16" x 20" AND 16" x 25" AIR CLEANERS

- Rail supports must be shortened. Remove wing nuts and re-assemble supports in upper slots.
- Snap rail supports into base rail as shown – eight (8) places. **Make sure the support slides in and hits the center of the base rail.**
- Adjust each rail support's height to height of air cleaner.



3. Remove the door from the air cleaner.

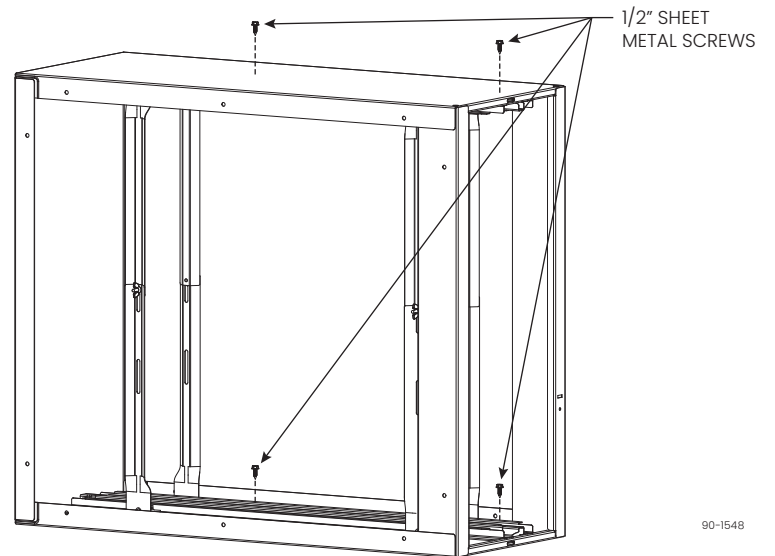
4. Slide the metal rail system completely into the air cleaner housing.



90-1381

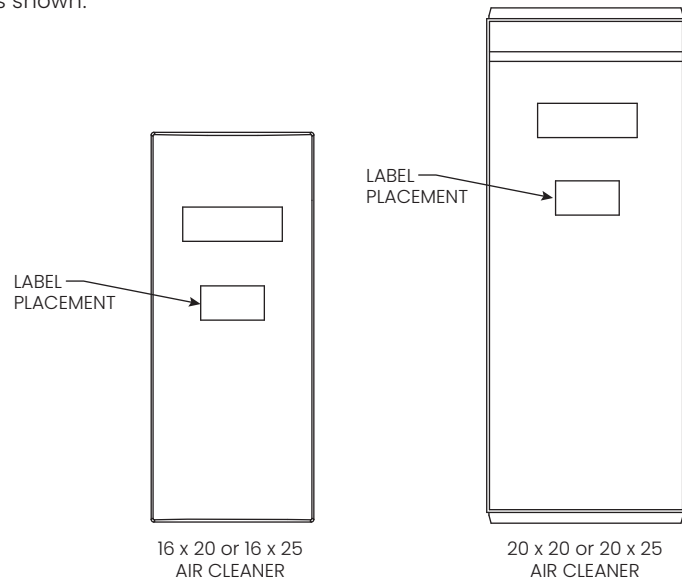
5. Secure the metal rail system to the outer housing using four 1/2" long sheet metal screws.

NOTE: Screws must not interfere with filter installation.



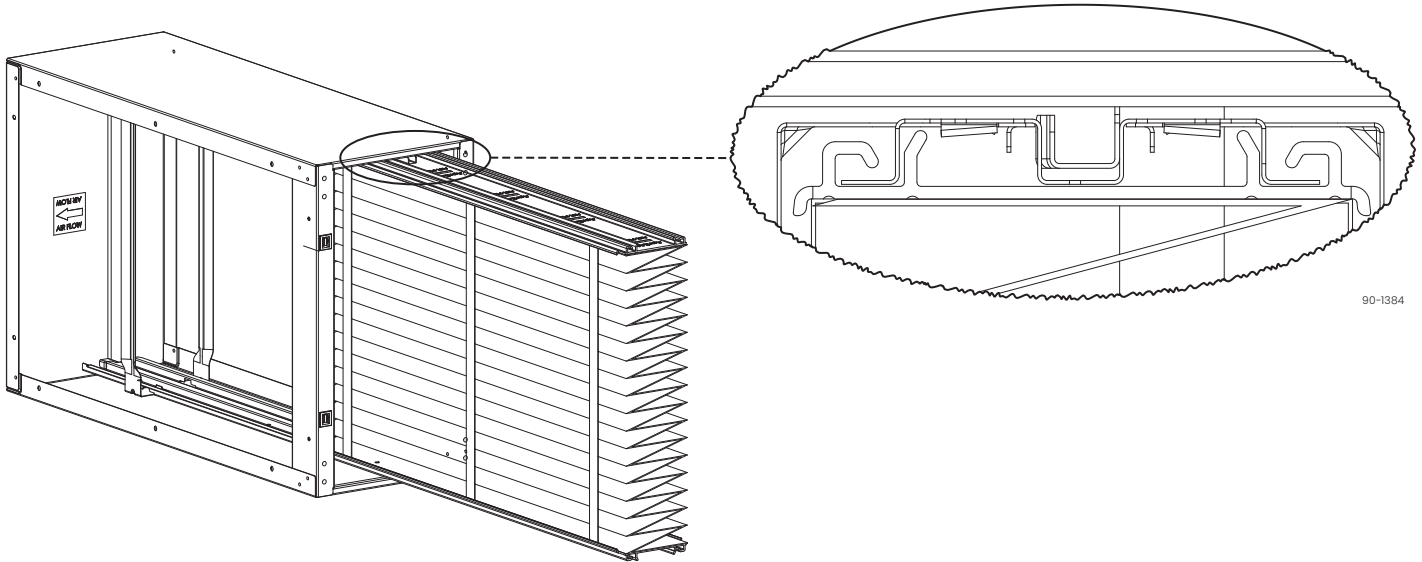
90-1548

6. Apply the door label to the front of the door as shown.



90-1546

-
7. Install the filter into the metal rail system using the directions on the filter sleeve to ensure the filter is in the correct orientation; the outlet side of the filter is the expanded metal side.



-
8. Install the air cleaner door.
9. Return the thermostat mode and fan to the desired setting.

