



TechData

PRODUCT SPECIFICATION SHEET



ProRadiant
SYSTEMS

Climate Trak

Application

Climate Traks are used for radiant heating applications in both new construction and retrofit applications. The product is designed to strongly grip the PEX tubing without air gaps or the need for sealant/adhesives, ensuring high heat conduction. Climate Traks are fastened tightly to the underside of subfloor for maximum system performance.

Technical Data

Available for 3/8" or 1/2" nominal diameter ViegaPEX Barrier or Pextron tubing, in 4 foot or 8 foot lengths

Pre-drilled holes for attachment to subfloor (10 holes per 4 foot Trak, 20 holes per 8 foot Trak)

Material

Extruded aluminum

Weight

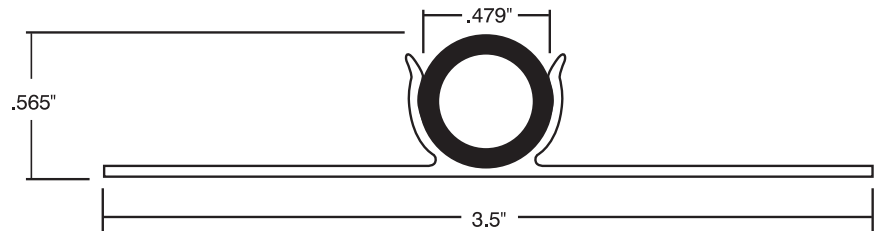
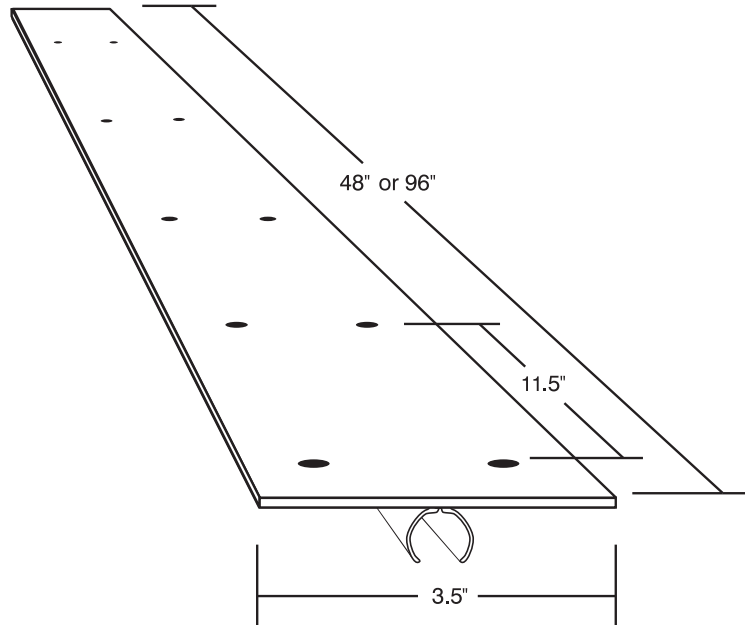
3/8" plates:
4 foot length 1.07 lbs.
8 foot length 2.14 lbs.

1/2" plates:
4 foot length 1.16 lbs.
8 foot length 2.32 lbs.

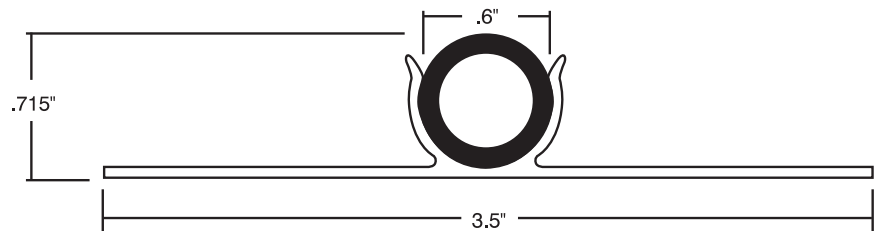
Dimensions

3/8" plates:
3.5"x 48"x 0.515"
3.5"x 96"x 0.515"

1/2" plates:
3.5"x 48"x 0.605"
3.5"x 96"x 0.605"



CLIMATE TRAK 3/8" TUBING



CLIMATE TRAK 1/2" TUBING

