

409 High Pressure Vent

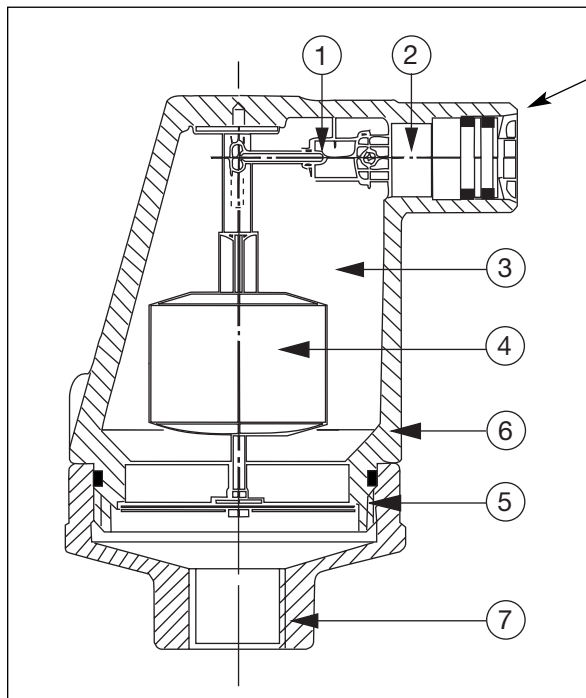
SUPERSEDES: November 1, 2003

EFFECTIVE: October 1, 2007

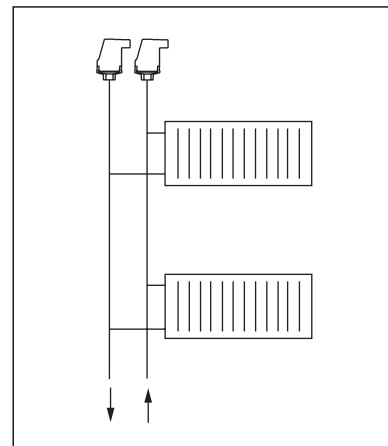
Plant ID: No. 001-3806

INSTALLATION INSTRUCTIONS:

1. The Taco 409 has to be mounted in a vertical (or upright) position on places in a system where air collects naturally. It will not operate properly if installed at an angle, sideways, or upside down.
2. For the Taco 409 to vent air properly, the fill pressure of the system must always be higher than atmospheric pressure. If the atmospheric pressure is higher than the fill pressure of the system, outside air will be pulled into the system via the vent opening.
3. The Taco 409 is intended for installations filled with 100% water or approved glycol solutions (do not exceed 50% glycol) for hydronic heating systems. However, please check with your local dealer, distributor or representative when using other boiler or system additives.
4. The Taco 409 will arrive with its air valve open. The air valve can be closed off by turning the screw clockwise. However, for automatic performance, the vent valve must be open.
5. Please note that when installing a new system or retrofitting an old, you must flush out the disturbed dirt as well as any oily film or solder paste entrained in the system water. If this is not done, it is entirely possible that the internal float mechanism will become clogged open, causing the air vent to leak. For installations where possible property damage may occur due to fluid leaking from the vent, a $\frac{3}{4}$ " ID hose may be clamped to the air vent outlet. The hose may then be fed to a drain or collection area designed for the fluid in use. **DO NOT USE A SOLDER CONNECTION AT THE OUTLET!**
6. Please leave these instructions with the end user.



CAUTION: Do not solder here. Product failure will result.



- | | |
|------------------|-----------------------------------|
| 1. Gearing | 5. Protective filter |
| 2. Venting valve | 6. Housing (brass) |
| 3. Air chamber | 7. $\frac{3}{4}$ " NPT connection |
| 4. Float | |

Maximum allowable working temperature: 240°F
Minimum allowable working temperature: 35°F
Maximum working pressure: 150 psi

LIMITED WARRANTY STATEMENT

Taco, Inc. will repair or replace without charge (at the company's option) any product or part which is proven defective under normal use within one (1) year from the date of start-up or one (1) year and six (6) months from date of shipment (whichever occurs first).

In order to obtain service under this warranty, it is the responsibility of the purchaser to promptly notify the local Taco stocking distributor or Taco in writing and promptly deliver the subject product or part, delivery prepaid, to the stocking distributor. For assistance on warranty returns, the purchaser may either contact the local Taco stocking distributor or Taco. If the subject product or part contains no defect as covered in this warranty, the purchaser will be billed for parts and labor charges in effect at time of factory examination and repair.

Any Taco product or part not installed or operated in conformity with Taco instructions or which

has been subject to misuse, misapplication, the addition of petroleum-based fluids or certain chemical additives to the systems, or other abuse, will not be covered by this warranty.

If in doubt as to whether a particular substance is suitable for use with a Taco product or part, or for any application restrictions, consult the applicable Taco instruction sheets or contact Taco at [401-942-8000].

Taco reserves the right to provide replacement products and parts which are substantially similar in design and functionally equivalent to the defective product or part. Taco reserves the right to make changes in details of design, construction, or arrangement of materials of its products without notification.

TACO OFFERS THIS WARRANTY IN LIEU OF ALL OTHER EXPRESS WARRANTIES. ANY WARRANTY IMPLIED BY LAW INCLUDING WARRANTIES OF MERCHANTABILITY OR

FITNESS IS IN EFFECT ONLY FOR THE DURATION OF THE EXPRESS WARRANTY SET FORTH IN THE FIRST PARAGRAPH ABOVE.

THE ABOVE WARRANTIES ARE IN LIEU OF ALL OTHER WARRANTIES, EXPRESS OR STATUTORY, OR ANY OTHER WARRANTY OBLIGATION ON THE PART OF TACO.

TACO WILL NOT BE LIABLE FOR ANY SPECIAL, INCIDENTAL, INDIRECT OR CONSEQUENTIAL DAMAGES RESULTING FROM THE USE OF ITS PRODUCTS OR ANY INCIDENTAL COSTS OF REMOVING OR REPLACING DEFECTIVE PRODUCTS.

This warranty gives the purchaser specific rights, and the purchaser may have other rights which vary from state to state. Some states do not allow limitations on how long an implied warranty lasts or on the exclusion of incidental or consequential damages, so these limitations or exclusions may not apply to you.

4-24-198/10-2003 Printed in Holland

 **Taco Comfort Solutions™** A Taco Group Company

Taco, Inc., 1160 Cranston Street, Cranston, RI 02920 | Tel: (401) 942-8000 | FAX: (401) 942-2360

Taco (Canada), Ltd., 8450 Lawson Road, Suite #3, Milton, Ontario L9T 0J8 | Tel: (905) 564-9422 | FAX: (905) 564-9436

Visit our web site: www.TacoComfort.com | Printed in USA | ©2015 Taco, Inc.

