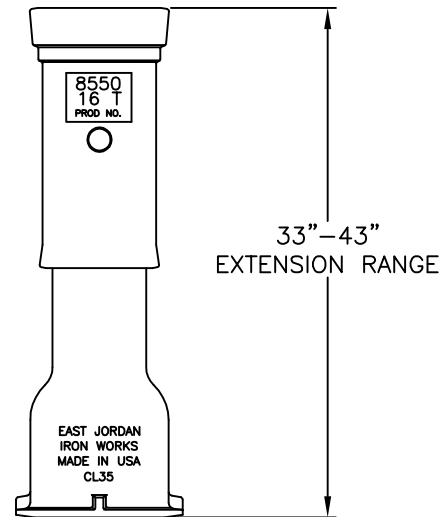
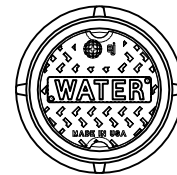
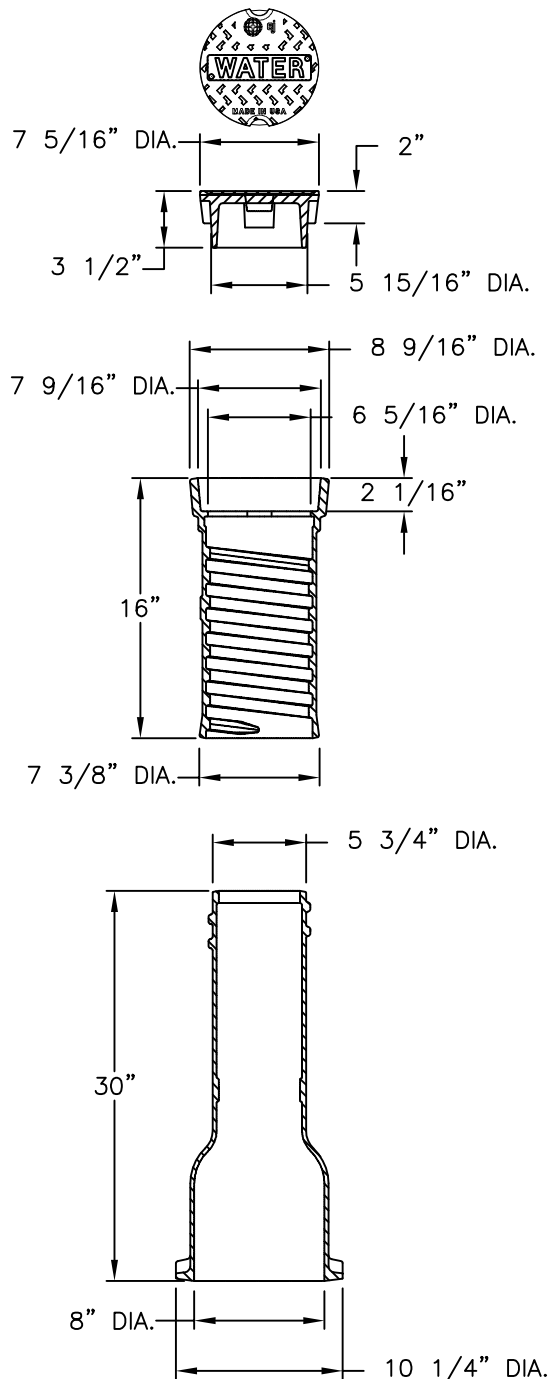


# 8550 6800 Set



VIEW OF ASSEMBLED COMPONENTS  
TO BE ASSEMBLED ON JOB SITE

**Product Number**  
85503343

**Design Features**

- Materials
  - Valve Box Top  
Gray Iron (CL35B)
  - Valve Box Bottom  
Gray Iron (CL35B)
  - Valve Box Cover  
Gray Iron (CL35B)

- Design Load  
Heavy Duty
- Open Area  
n/a
- Coating  
Dipped
- √ Designates Machined Surface

**Certification**

- ASTM A48
- Country of Origin: USA

**Major Components**

- 85507016
- 85506030
- 06800001

**Drawing Revision**

- 03/20/2002 Designer: TCL
- 3/30/2015 Revised By: DAE

**Disclaimer**

Weights (lbs./kg) dimensions (inches/mm) and drawings provided for your guidance. We reserve the right to modify specifications without prior notice.

CONFIDENTIAL: This drawing is the property of EJ GROUP, Inc., and embodies confidential information, registered marks, patents, trade secret information, and/or know how that is the property of EJ GROUP, Inc. Copyright © 2011 EJ GROUP, Inc. All rights reserved.

**Contact**

800 626 4653  
ejco.com