

## 0.5GPF Low Consumption Washout Urinal

### FEATURES

- 0.5GPF
- Compact urinal with concealed integral trap
- Washout flush action with 3/4" top or back spud inlet

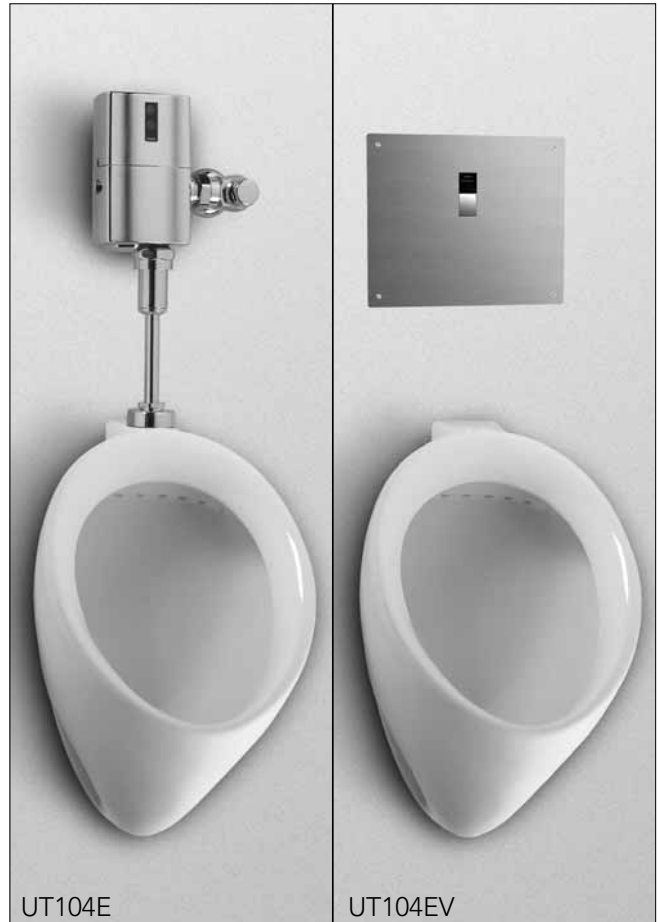
### MODELS

- UT104E  
Urinal with 3/4" top spud inlet
- UT104EV  
Urinal with 3/4" back spud inlet

### ADDITIONAL ITEMS (sold separately)

- THU3010  
Stainless Steel Urinal Drain Cover

RECOMMENDED FLUSH VALVES		
UT104E		UT104EV
EcoPower®	Manual	EcoPower®
TEU1LN12#CP	TMU1LN12#CP	TEU2LN11#SS
		TEU3LN11#SS



### COLORS/FINISHES

- Standard
  - #01 Cotton
  - #03 Bone
  - #12 Sedona Beige

### PRODUCT SPECIFICATION

The wall-mounted, ADA compliant, low consumption washout urinal shall be 0.5GPF/1.9LPF when paired with a 0.5GPF flushometer valve and 1.0GPF/3.8LPF when paired with 1.0GPF/3.8LPF flushometer valve. Urinal specified shall be model UT104E\_\_\_\_\_.

### CODES/STANDARDS

- Meets and exceeds ASME A112.19.2/CSA B45.1,
- Certifications: IAPMO(cUPC), State of Massachusetts, City of Los Angeles
- Code compliance: UPC, IPC, NSPC, NPC Canada, and others
- Legislative compliance: California AB715, California Green Building Code
- ADA compliant



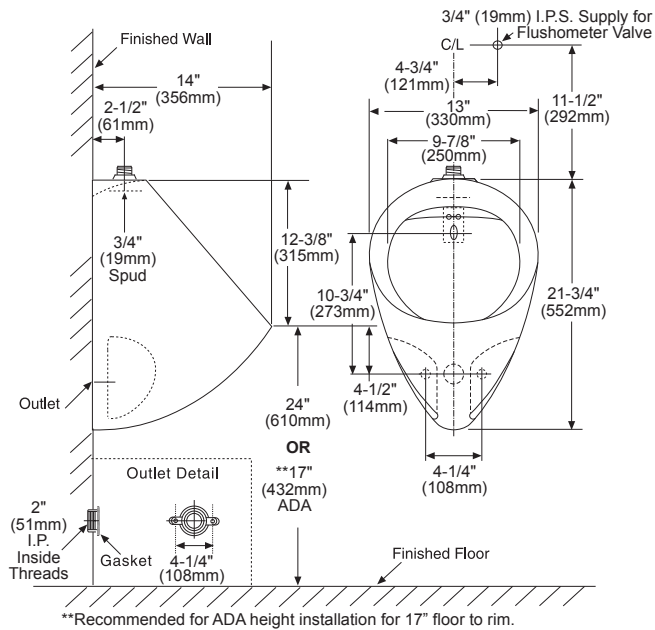
# UT104E(V)

## 0.5GPF Low Consumption Washout Urinal

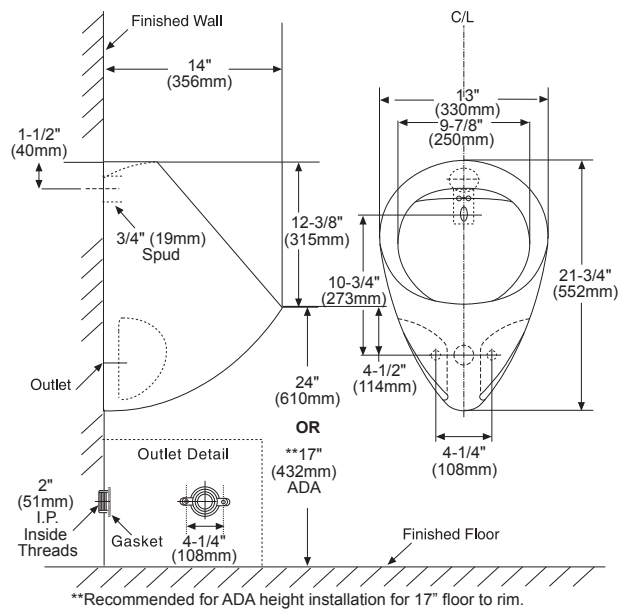
### SPECIFICATIONS

- Water Use 0.5GPF/1.9LPF
- Flush System Washout flush action
- Warranty One Year Limited Warranty
- Material Vitreous china
- Min. Water Pressure 15 psi (flowing)
- Height (Urinal Only) 21-3/4"
- Width 13"
- Rim 14"
- Shipping Weight UT104E(V) - 34.5lbs
- Shipping Dimensions UT104E(V)  
24" L x 13-3/4" W x 15-1/8" H

UT104E



UT104EV



**TOTO**

These dimensions and specifications are subject to change without notice