



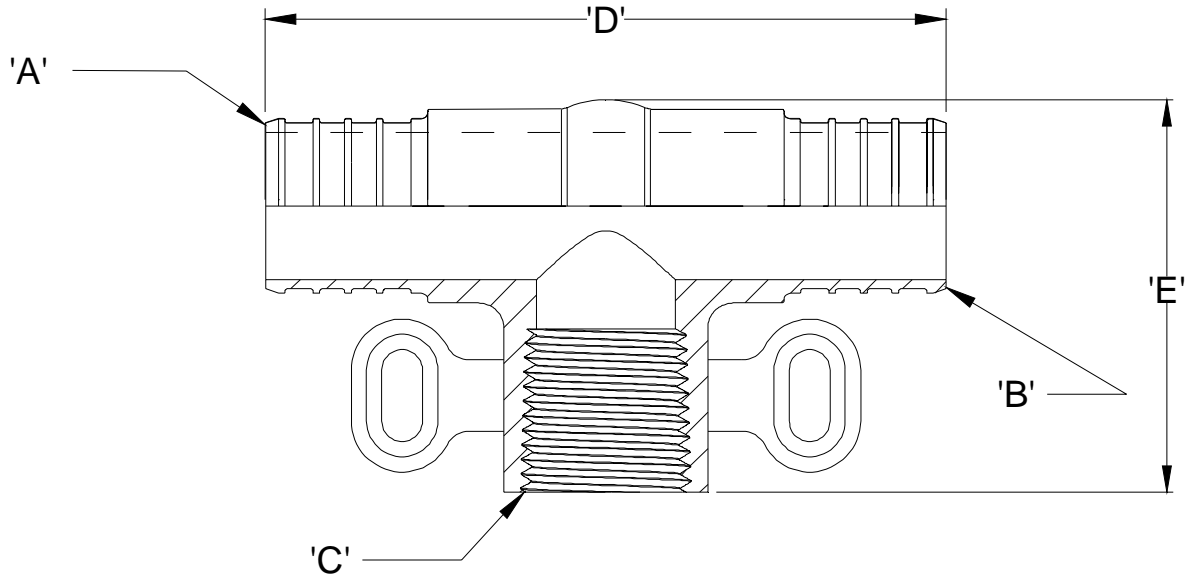
Zurn PEX® XL - Low Lead Brass

1" Barb x 1" Barb x 1/2" NPT - QQFST553GFX

Specification Sheet

Tag _____

Dimensional Data: Inches and [mm] are subject to manufacturing tolerances and change without notice.



Part Number	Description	'A'	'B'	'C'	'D'	'E'
QQFST553GFX	1" Barb x 1" Barb x 1/2" NPT	1" Barb	1" Barb	1/2" NPT - 14	3.34" [84.8]	1.94" [49.3]

Engineering Specification: Zurn PEX® XL-Low Lead Brass 1" Barb x 1" Barb x 1/2" NPT. The QQFST553GFX is used to branch off the main line to a sprinkler in multipurpose piping systems. Manufactured from EcoBrass®. These fittings, as a system with Zurn PEX® tube, are pressure rated at 160 PSI at 73°F, 130 PSI at 120°F (fire protection rating), 100 PSI at 180°F, and 80 PSI at 200°F. These fittings are listed by NSF as complying with the following standards: NSF/ANSI Standard 14, NSF/ANSI Standard 61 including Annex G, ASTM F877, CSA B137.5, ASTM F1807, and UL 1821.

Accessories

- **QCLP5X** 1" QickClamp® Crimp Ring
- **QCR5X** 1" Copper Crimp Ring

Rev.	Date: 10/8/10	C.N. No. 111820
Dwg. No. 302761	Prod. No. QQFST553GFX	