

# PF3001



## ACCUFIT Pressure Balance Tub and Shower Valve with Stops

### Product Features

- Pressure balance valve with integral stops
- One-piece cartridge design for ease of maintenance
- Ceramic disc valve cartridge
- Back-to-back capability
- Cast bronze valve body
- Optional air test cap available
- Adjustable temperature limit stop
- 6.3 GPM flow rate at 60 psi
- IAPMO Approved
- Quick remove plaster guard
- Easy mounting brackets
- Meets or exceeds ASSE 1016-P standards (anti-scald)

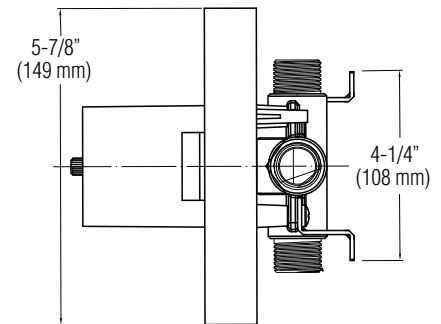
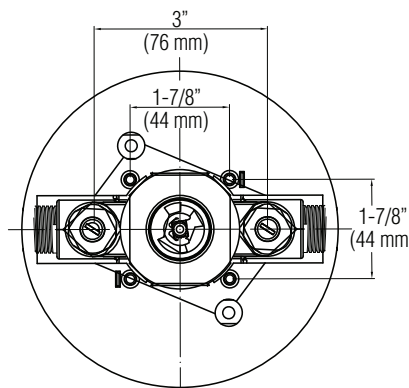


PF3001

### Model Numbers

- PF3001** Ceramic disc tub & shower valve with stops 1/2" MIP & SWT
- PF3001C** Ceramic disc tub & shower valve with stops CPVC connection
- PF3001F** Ceramic disc tub & shower valve with stops FIP
- PF3001P** Ceramic disc tub & shower valve with stops PEX crimp connector

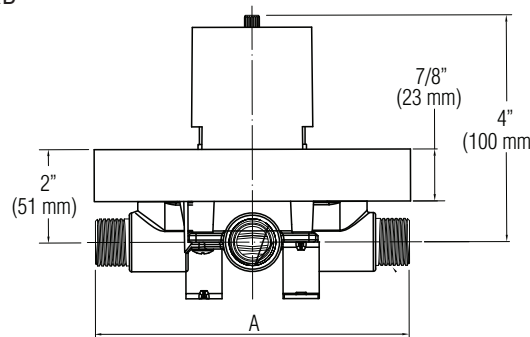
### Product Specifications



### Parts Available

- ACF3001CRT** Replacement cartridge assembly
- ACF3001AIR** Air test cap
- ACF3001GRD** Plaster guard
- ACF3001EXTCP** Deep rough extension kit CP
- ACF3001EXTBN** Deep rough extension kit BN
- ACF3001EXTORB** Deep rough extension kit ORB

	A (in)	A (mm)
PF3001	5-1/2	139
PF3001C	8-1/8	206
PF3001F	5-1/8	130
PF3001P	5-1/4	134



Rough-in depth  
2" min.-3" max

### Warranty and Codes

This product comes complete with installation, operating, care and maintenance instructions. This PROFLO faucet carries a limited lifetime warranty when installed in residential applications. The warranty is five years in commercial applications. This product meets ANSI: A112.18.1M and ASSE 1016-P

