

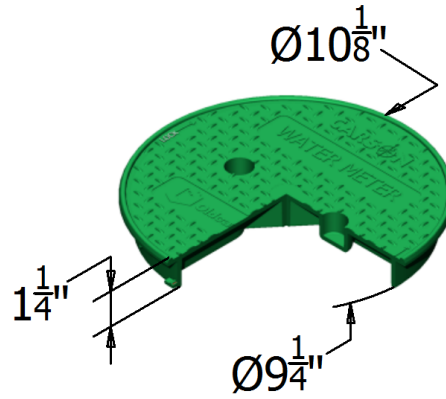
011

CARSON® TrussT

COVER

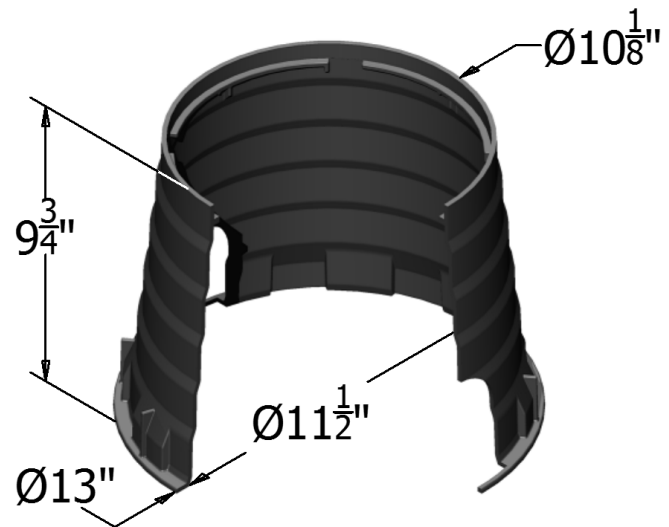
Style:	T-Cover
Material:	HDPE
Model:	10" Dia.
Weight:	1 lbs
Std. Fasteners:	Twist-N-Lock
Options:	Logos and Special Markings
Surface:	Skid Resistant & Marked
Performance:	Pedestrian, ASTM C857, WUC 3.6

Cover comes standard with permanent markings for manufacturer and model size.



BODY

Material:	HDPE
Model:	10" Dia.
Weight:	2 lbs
Wall Type:	Flared
Mouseholes:	2
Performance:	Pedestrian, ASTM C857, WUC 3.6



LOAD RATING / NOTES



LIGHT DUTY
PEDESTRIAN / GREENBELT

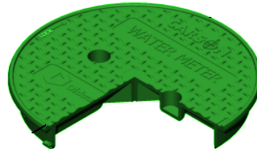
For use in non-vehicular traffic situations only.
Weights and dimensions may vary slightly.
Actual load rating is determined by the box
and cover combination.

011

CARSON® TrussT

COVER OPTIONS

HDPE, T-Cover Solid




COLOR OPTIONS

Cover: Green, Tan, Purple
Body: Green, Black, Purple

FASTENER OPTIONS

Twist-N-Lock

 **WARNING:** Cancer - www.P65Warnings.ca.gov

All information contained on this sheet is current at the time of publication.
Oldcastle reserves the right to discontinue or update product information without notice.

Revision 11/30/18
© 2018 Oldcastle Infrastructure