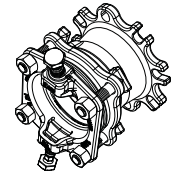
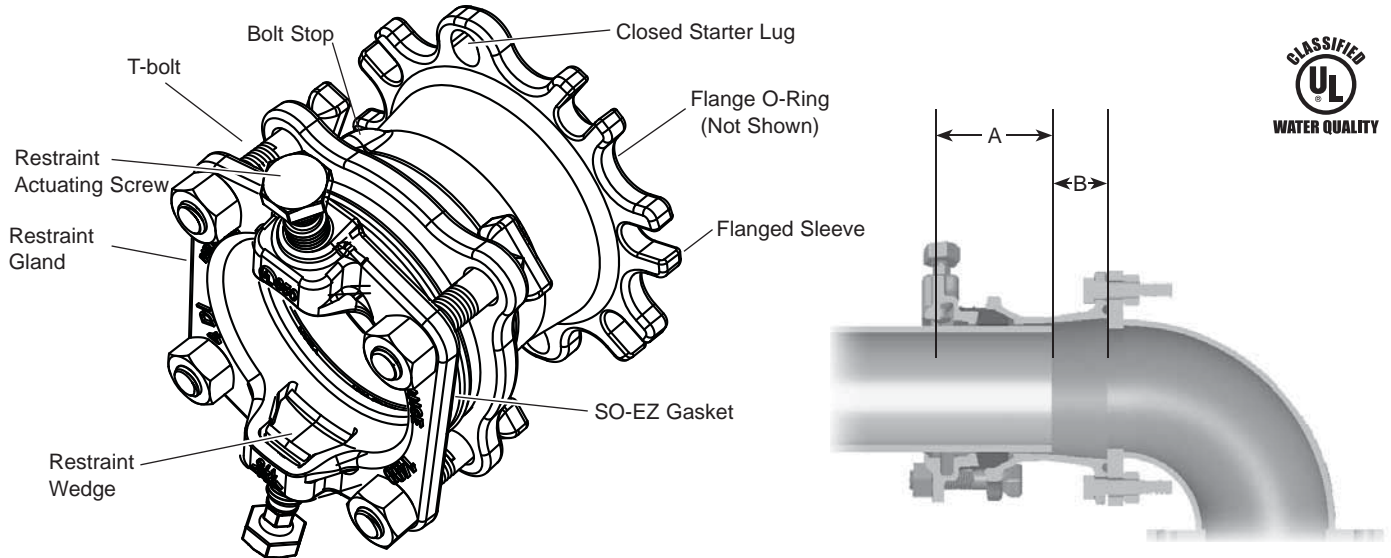


SUBMITTAL INFORMATION

Restrained Flange Adapter - (RFAD-xx-I style)



RESTRAINED ADAPTER FOR CONVERTING PLAIN END PIPE TO A FLANGE CONNECTION FOR DUCTILE IRON PIPE



NOMINAL PIPE SIZE	PIPE OD	PART NUMBER	NUMBER OF RESTRAINT WEDGES	T-BOLT SIZE	T-BOLT QUANTITY	*MINIMUM PIPE INSERTION DIMENSION "A"	PIPE ADJUSTABILITY DIMENSION "B"	MAX. DEFLECTION ALLOWANCE	APPROX. WT. LBS	✓ SUBMITTED ITEM(S)
3"	3.96	RFAD-3-I	2	5/8" x 3"	4	4"	1-7/8"	5°	12	
4"	4.80	RFAD-4-I	2	3/4" x 4"	4	4-1/2"	2"	5°	23	
6"	6.90	RFAD-6-I	3	3/4" x 4"	6	4-5/8"	2-7/8"	5°	32	
8"	9.05	RFAD-8-I	4	3/4" x 4-1/2"	6	4-13/16"	3"	5°	45	
10"	11.10	RFAD-10-I	6	3/4" x 4-1/2"	8	4-3/4"	3-3/8"	3°	61	
12"	13.20	RFAD-12-I	8	3/4" x 4-1/2"	8	4-3/4"	3-5/8"	3°	82	

*Not accounting for beveled pipe ends

FEATURES

- Flanged sleeve: Fusion bonded epoxy coated ductile iron per ASTM A536, Grade 65-45-12, compatible with Class D or Class E flange, per AWWA C207
- Restraint wedges: E-coated ductile iron per ASTM A536
- Restraint gland: High strength, ductile iron, per ASTM A536, Grade 65-45-12, black E-coat
- Restraint actuating screws: E-coated ductile iron per ASTM A536, Grade 65-45-12, with auto-tork break away head design
- T-bolts and nuts: High strength low alloy steel, per ASTM A242 and AWWA C111
Optional: Blue fluorocarbon or stainless steel
- Flange O-ring: NBR (ASTM D2000)
- Restraint gasket: Pre-lubricated SBR rubber (SO-EZ gasket) Optional: Buna-N rubber
- Bolt stops are cast on sleeve to prevent tee-head bolt from turning during installation
- Closed starter lugs ease installation
- Stab fit; no disassembly required
- For use on any pressure or thickness class of ductile iron pipe meeting AWWA C151-91 Standard without limitation
- 2:1 safety factor at the full rated pressure of the pipe on which it is installed
- Imported ductile iron castings
- Assembled, inspected and packaged in the USA
- NSF61 Approved

The Ford Meter Box Company considers the information in this submittal form to be correct at the time of publication. Item and option availability, including specifications, are subject to change without notice. Please verify that your product information is current.



The Ford Meter Box Company, Inc.

P.O. Box 443, Wabash, Indiana U.S.A. 46992-0443

Phone: 260-563-3171 / Fax: 800-826-3487

Overseas Fax: 260-563-0167

www.fordmeterbox.com

04/11/16

Submitted By: