



P-T Coupling Co., Inc.
 1414 E. Willow
 Enid,
 Phone: 580-237-4060
 Website: <http://www.ptcoupling.com>

Item # 1001180, V-Coupler (Dust Cap)

List Price QUOTE

PT maintains inventories at its 16 branch warehouse locations.

HBS cam arms are made of 300 series Stainless Steel.

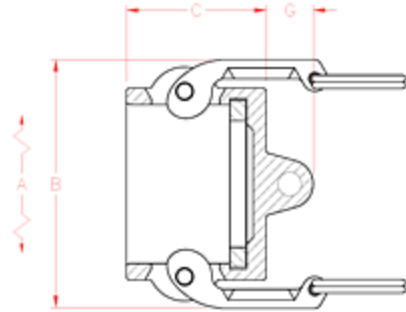
HB cam arms are made of Brass.

All Stainless Steel castings are 316 and all components are 300 series Stainless Steel.

Please call for special quote on complete cam arm assembly and components in 316 Stainless Steel.

8, 10 and 12 inch couplers are 4-cam designs with the STA-LOK® positive locking feature.

Made in the U.S.A.



Specifications

Part Name	80V
Type	Dust Cap
Material	Aluminum/HBS
Size	8 in.
Coupler Size	8 in.
O. D. with Cam Arms Extended (A)	18.23 in. 463 mm
Outside Diameter (B)	12.13 in. 308 mm
Overall Length (C)	2.72 in. 69 mm
Chain Lug Extension (G)	1.18 in. 30 mm
Engagement Length	2.15 in.