

BATHROOM SUPPLY KIT WITH 5/8" OD X 3/8" OD ANGLE STOP

SKU: 948023

Code: SH231, SH484074, SH489025, SH489032, SH489033

FEATURES

Material: Metal



ASME A112.18.1/CSA B125.1, NSF/ANSI 372, NSF/ANSI 61, NSF/ANSI/CAN 61, NSF/ANSI/CAN 61-9:Q≤1, Massachusetts Accepted, LISTED ID: SH231**



ADDITIONAL FEATURES

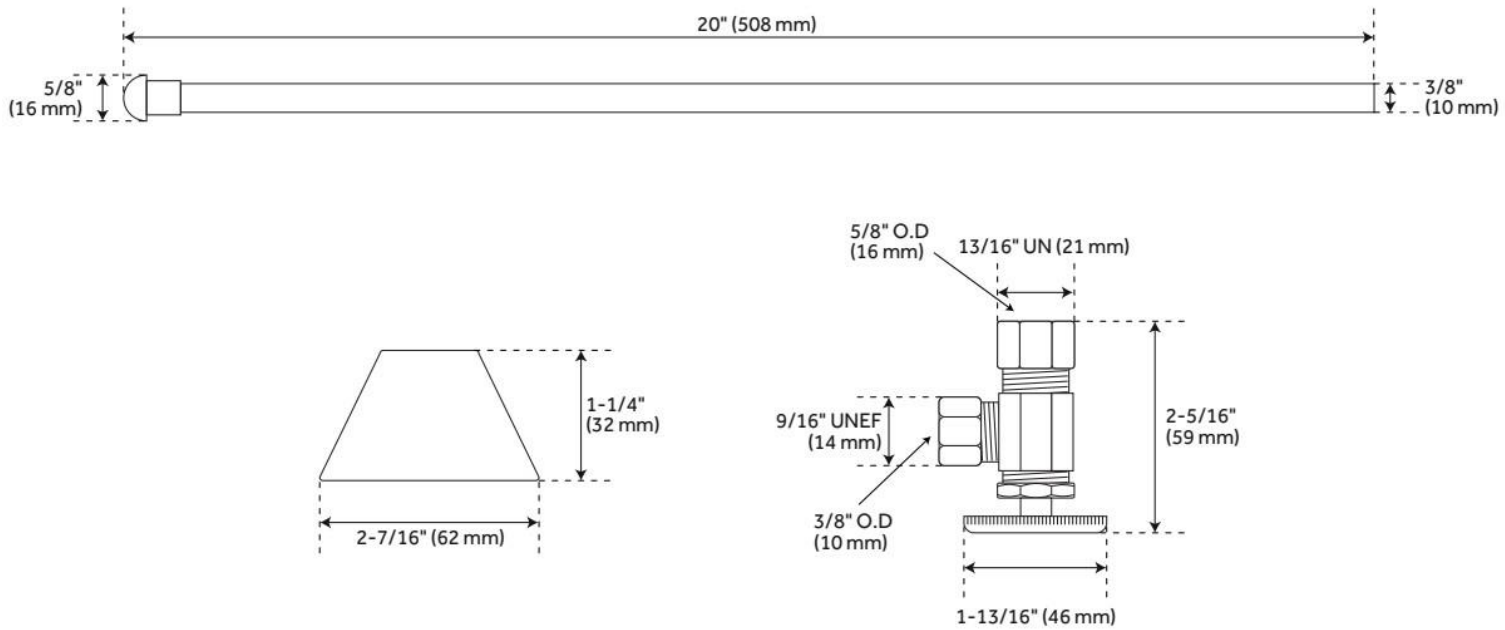
- 3/8" x 20" Bull nose rigid supply tubes.
- 5/8" O.D Flange.
- 5/8" O.D Compression x 3/8" O.D Compression angle stop.

REVISED 7/3/2024

BATHROOM SUPPLY KIT WITH 5/8" OD X 3/8" OD ANGLE STOP

SKU: 948023

Code: SH231, SH484074, SH489025, SH489032, SH489033



REVISED 7/3/2024