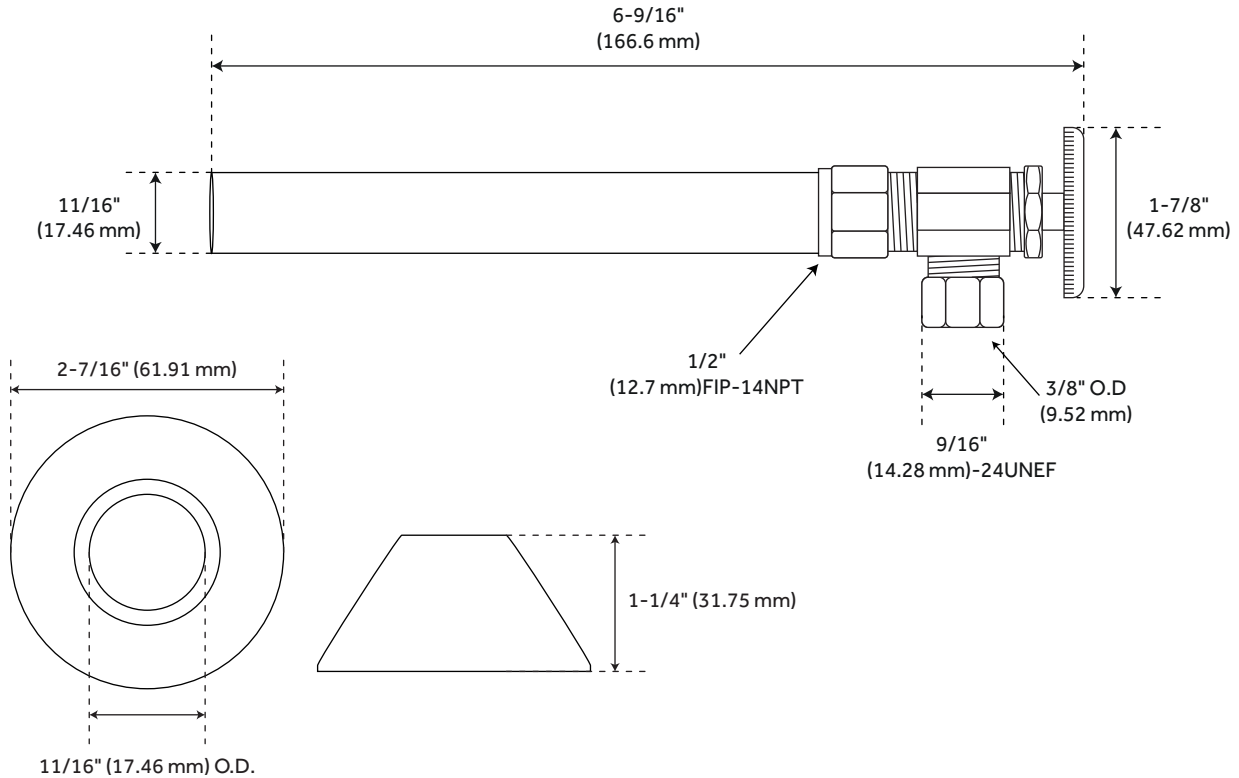


TOILET SUPPLY KIT

WITH 1/2" OD X 3/8" OD ANGLE STOP

SKU: 948021



FEATURES

Material: Brass
Handle Type: Knob
1/2" (12.7mm) Sweat x 3/8"(9.52mm)
O.D. Compression Angle Stop
5/8" (15.87mm) O.D. Sure Grip Bell
Flange
Stop valve features a solid brass body
and a zinc handle
Flange Diameter (Outside): 2-7/16".

CODES/STANDARDS

cUPC
ASME A112.18.1/ CSA B125.1
NSF/ANSI 61
NSF/ANSI 372
Massachusetts Accepted

SIGNATURE HARDWARE LIFETIME WARRANTY

See website for warranty information



All dimensions and specifications are nominal and may vary. Use actual products for accuracy in critical situations.

REVISED 01/16/2020
Code: SH208BN/SH208CP
SH208ORB/SH208PN