



PF92910 Emergency Backup Sump Pump System

Product Features

- 12 Volt DC pump with vertical float switch.
- Electric control panel with indicator lights
- Thermoplastic battery box.
- 87 decibel alarm with mute
- Reverse polarity protection
- Low battery alarm
- Mounting hardware included.
- Maximum flow rate 23 gpm.
- 1-1/4" or 1-1/2" NPT discharge size.
- Handles 1/8" solids.
- AC charger
- Full flow check valve.
- Battery sold separately.



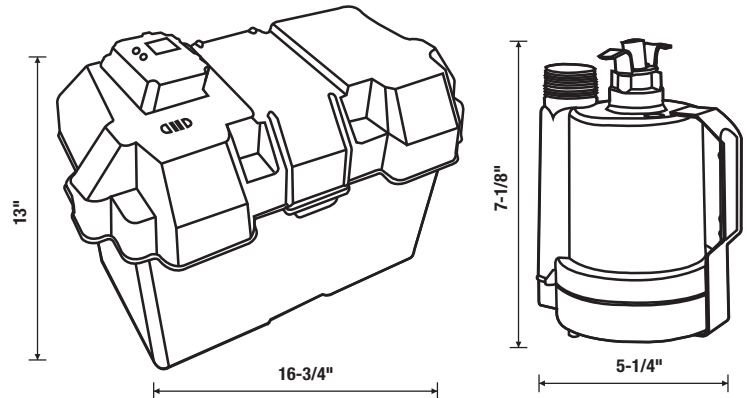
PF92910

Motor Performance

- 12 Volt DC

Performance Chart					
Lift	0'	5'	10'	15'	20'
GPM	23	22	18	13	8
GPH	1380	1320	1080	780	480

Product Specifications



* All measurements are nominal. Please verify before actual installation.

Warranty and Codes

This product comes complete with installation, operating, care and maintenance instructions. This PROFLO sump pump carries a 3 year warranty when installed in residential applications. See owners manual for warranty details.

This PROFLO sump pump carries a 3 year limited warranty. In an effort to continually improve our products, we will make design changes from time to time. We reserve the right to ship newly designed product to fill any order unless it is agreed in writing to do otherwise.