

SPECIFICATIONS

SINGLE CONTROL PRESSURE BALANCE MIXING VALVE WITH SCREWDRIVER STOPS

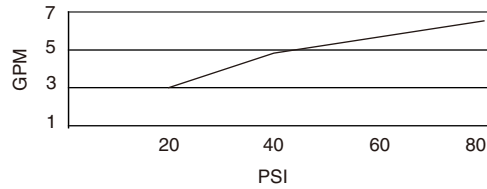
Model

D112010BT

Description

- Ceramic disc valve
- With high temperature limit adjustment
- 1/2" PEX B or C Hot & Cold Inlets
- Round Spine
- Back-to-back installation feature
- Mounting bracket & plaster guard included
- Valve will perform at ASSE 1016 standards when flow rate is restricted to 2.0gpm

Flow Rate



Standards



• UPC/cUPC



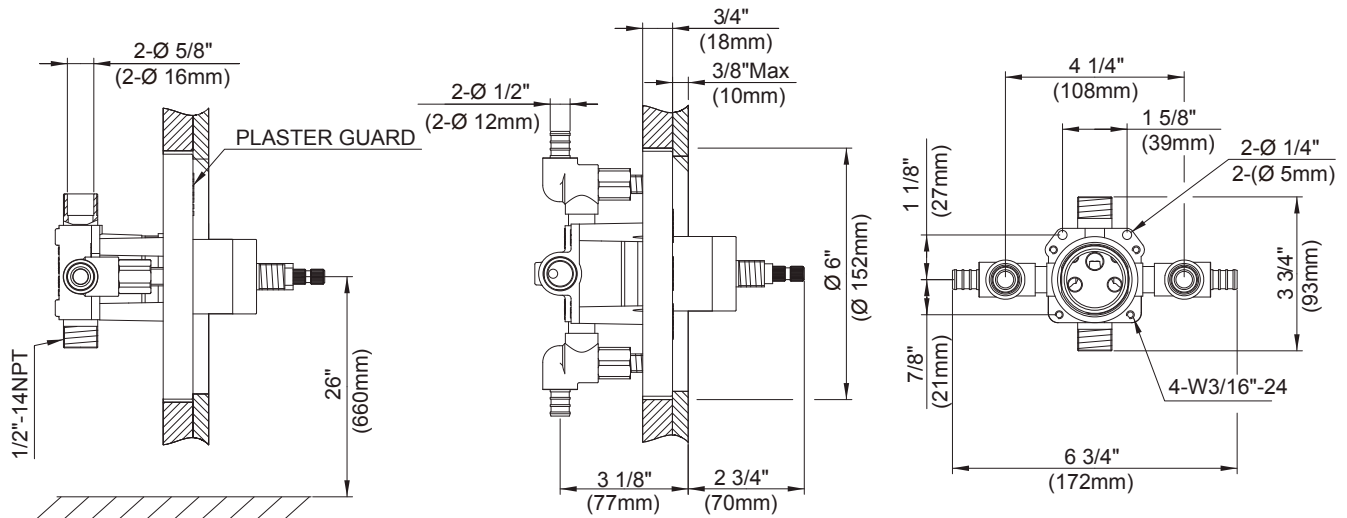
• ASSE 1016

Finishes Available

- Rough Brass

Warranty

Danze products are covered by a manufacturer's limited "lifetime" warranty for manufacturing defects.



Submittal Information:

Job Name: _____
 Contractor: _____

Location: _____
 Contact #: _____