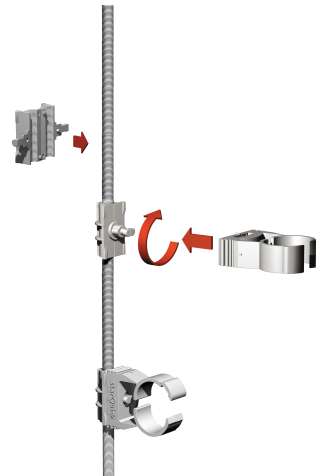
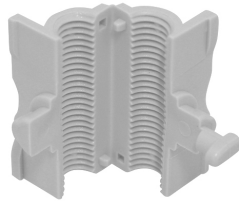


BIS starQuick® Threaded Rod Adaptors

accessories BIS starQuick® Pipe Clamps without Nut



Features and benefits

- to fix a BIS starQuick® Clamp to a threaded rod
- to add pipework quickly and simply to an existing installation
- suitable for SQ-10 up to SQ-32
- material: PA (polyamide), grey
- resistant to UV, aging, oil and gasoline
- corrosion-free, recyclable, halogen free
- temperature resistance: -40 °F to 200 °F constant, +270 °F peak

Part No.	Model	G	Pack 1	Pack 2
085 4 359	SQ10 - SQ51	3/8"	25	250

