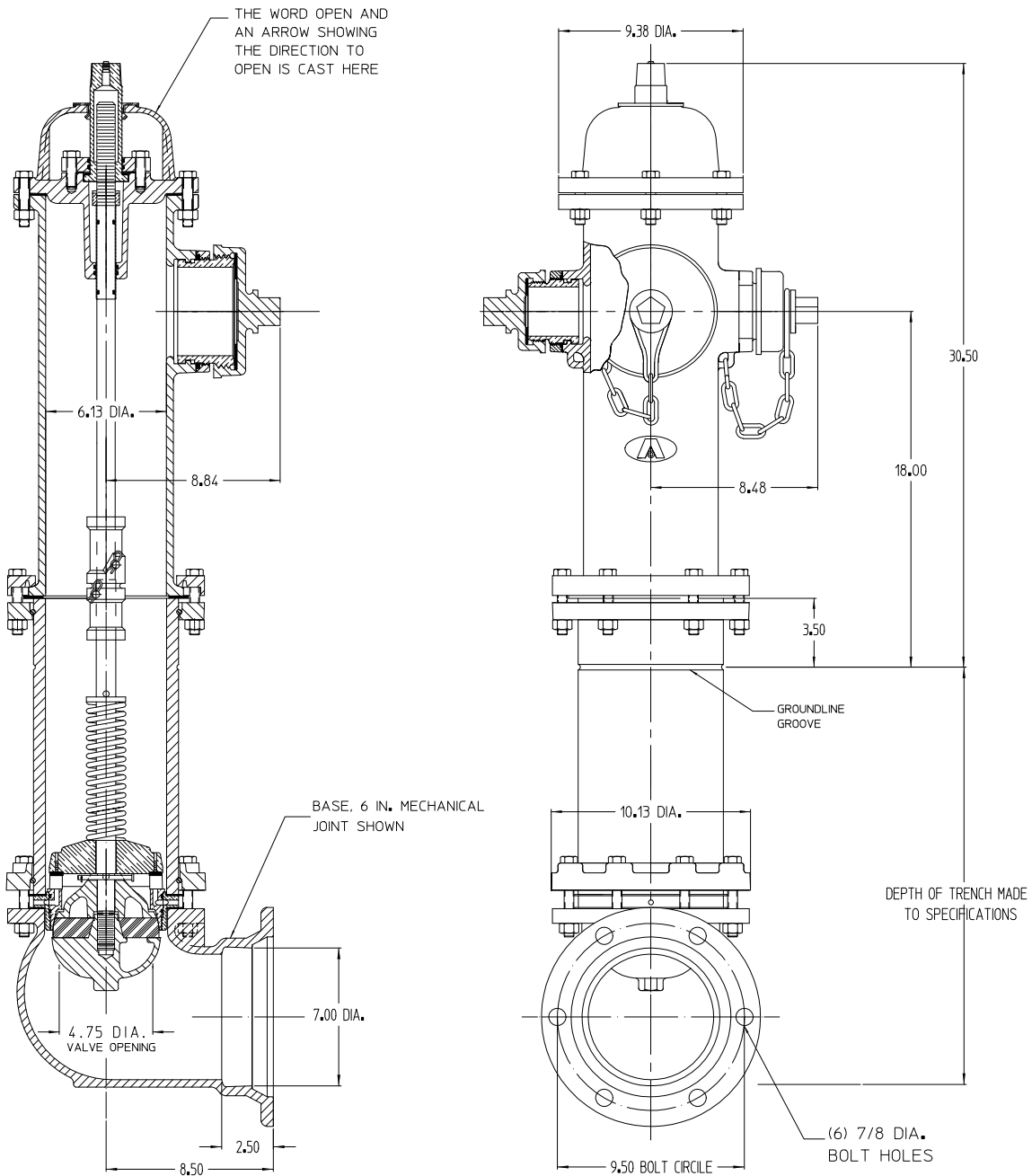


AMERICAN Flow Control Submittal Information

4-1/2 MARK 73-5 TRAFFIC MODEL FIRE HYDRANT



91-21440

NOTES

1. Size and shape of operating nut and nut on caps, threading on nozzles and caps and the direction of opening made to specifications.
2. Cap chains are not furnished unless specified.
3. Bolts and nuts are rustproof steel ASTM A307 or equivalent, in accordance with AWWA C502.
4. Working pressure 250 psig, test pressure 500 psig.
5. Hydrant conforms to AWWA standard C502.
6. Listed by Underwriters Laboratories, Inc. and Approved by Factory Mutual at 200 psig in allowable configurations.
7. Valve top, valve bottom and base coated with fusion bonded epoxy coating.
8. Nominal turns to open is 19-1/2.



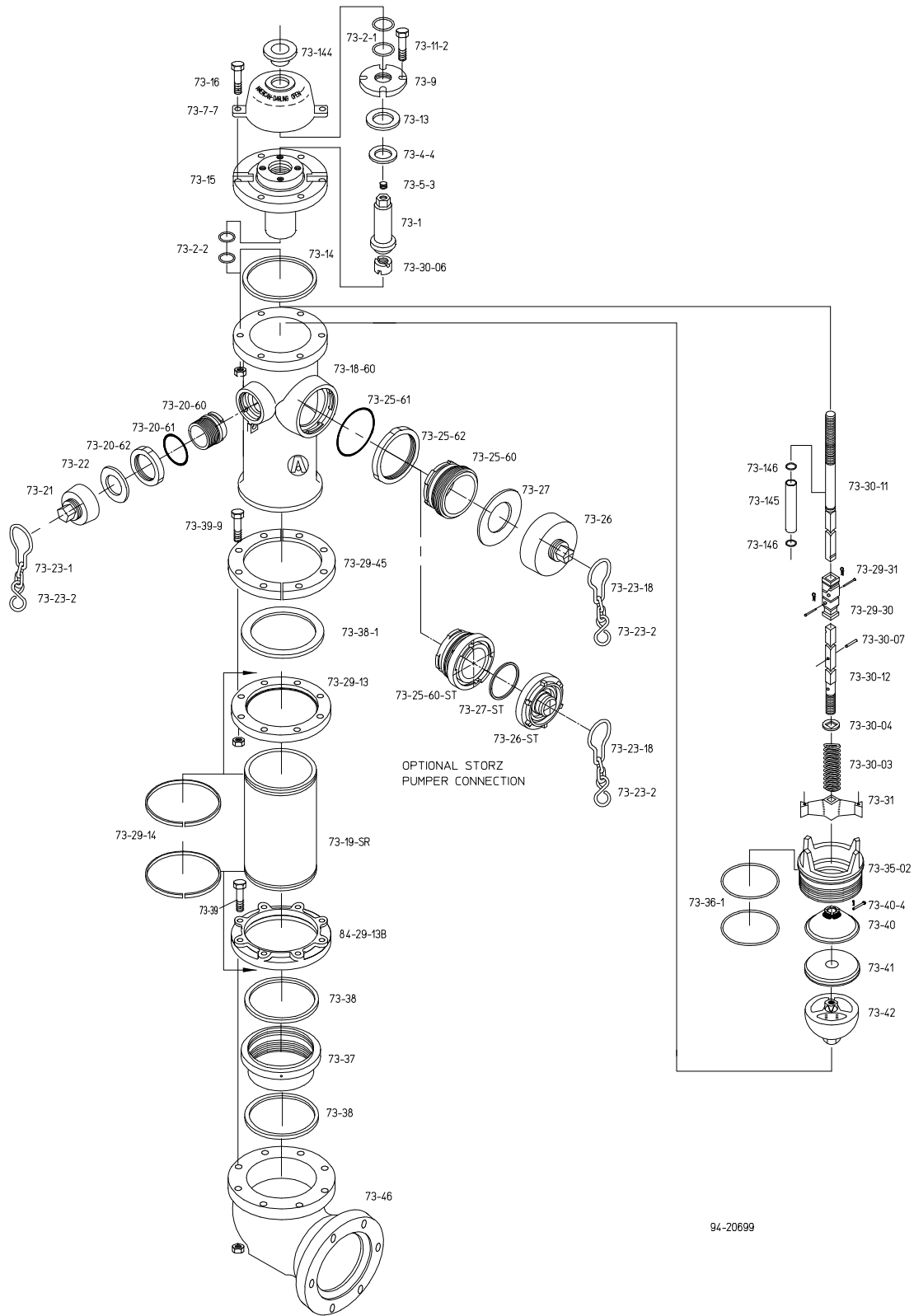
AMERICAN
FLOW CONTROL

THE RIGHT WAY

AMERICAN Flow Control
P.O. Box 2727
Birmingham, Al. 35202-2727
Phone: 1-800-326-8051
Fax: 1-800-610-3569
E-mail: afcsales@american-usa.com

Waterous Company
125 Hardman Avenue South
South St. Paul, Mn. 55075-1191
Phone: 1-888-266-3686
Fax: 1-800-601-2809
E-mail: afcsales@american-usa.com

WWW.AMERICAN-USA.COM



AMERICAN
FLOW CONTROL

THE RIGHT WAY

AMERICAN Flow Control
P.O. Box 2727
Birmingham, Al. 35202-2727
Phone: 1-800-326-8051
Fax: 1-800-610-3569
E-mail: afcsales@american-usa.com

Waterous Company
125 Hardman Avenue South
South St. Paul, Mn. 55075-1191
Phone: 1-888-266-3686
Fax: 1-800-601-2809
E-mail: afcsales@american-usa.com

WWW.AMERICAN-USA.COM

Ref. No.	Qty.	Description	Material
73-1	1	Operating Nut	Bronze ASTM B763 UNS C86500
73-2-1	2	Cover O-Ring	Buna N
73-2-2	2	Housing O-Ring	Buna N
73-4-4	1	Thrust Washer	Nylatron
73-5-3	1	Pipe Plug	Stainless Steel
73-7-7	1	Weather Cover	Gray Iron ASTM A126 Class B
73-9	1	Housing Cover	Gray Iron ASTM A126 Class B
73-11-2	4	Cover Cap Screws	See Note 3
73-13	1	Cover Gasket	Fiber
73-14	1	Housing Gasket	EPDM Rubber
73-15	1	Housing	Ductile Iron ASTM A536 Grade 65-45-12
73-16	6	Housing Bolts & Nuts	See Note 3
73-18-60	1	Upper Barrel	Ductile Iron ASTM A536 Grade 65-45-12
73-19-SR	1	Lower Barrel	Ductile Iron ASTM A536 Grade 65-45-12
73-20-60	2	Hose Nozzle	Bronze ASTM B763 UNS C86400
73-20-61	2	Hose Nozzle Seal	Buna N
73-20-62	2	Hose Nozzle Retainer	Ductile Iron ASTM A536 Grade 65-45-12
73-20-63	2	Hose Nozzle Retainer Washer	Teflon
73-21	2	Hose Cap	Gray Iron ASTM A126 Class B
73-22	2	Hose Cap Gasket	Rubber
73-23-1	2	Hose Cap Chain with S-Hook	Steel
73-23-2	3	S-Hook	Steel
73-23-18	1	Pumper Cap Chain with S-Hook	Steel
73-25-60	1	Pumper Nozzle	Bronze ASTM B763 UNS C86400
73-25-60-ST	1	Storz Nozzle	Bronze/Aluminum
73-25-61	1	Pumper Nozzle Seal	Buna N
73-25-62	1	Pumper Nozzle Retainer	Ductile Iron ASTM A536 Grade 65-45-12
73-25-63	1	Pumper Nozzle Retainer Washer	Teflon
73-26	1	Pumper Cap	Gray Iron ASTM A126 Class B
73-26-ST	1	Storz Nozzle Cap	Aluminum
73-27	1	Pumper Cap Gasket	Rubber
73-27-ST	1	Storz Cap Gasket	Rubber
73-29-13	1	Barrel Flange	Ductile Iron ASTM A536 Grade 65-45-12
73-29-13B	1	Base Flange	Ductile Iron ASTM A536 Grade 65-45-12
73-29-14	2	Snap Ring	Stainless Steel

Ref. No.	Qty.	Description	Material
73-29-30	1	Rod Coupling	Gray Iron ASTM A126 Class B
73-29-31	2	Rod Coupling Pin & Clip Pin	Stainless Steel
73-29-45	1	Breakable Flange	Gray Iron ASTM A126 Class B
73-30-03	1	Hydrant Spring	Spring Steel
73-30-04	1	Spring Plate	Steel
73-30-06	1	Travel Stop Nut	Bronze ASTM B283 UNS C37700
73-30-07	1	Spring Plate Pin	Stainless Steel
73-30-11	1	Upper Rod	Steel
73-30-12	1	Lower Rod	Steel
73-31	1	Drain Lever	Bronze ASTM B763 UNS C86400
73-35-02	1	Hydrant Seat	Bronze ASTM B763 UNS C86400
73-36-1	1	Seat O-Ring	Buna N
73-37	1	Drain Ring	Bronze ASTM B763 UNS C86400
73-38	2	Drain Ring Gasket	Composition Rubber
73-38-1	1	Barrel Gasket	Composition Rubber
73-39	8	Base Bolts & Nuts	0304 Stainless Steel
73-39-9	8	Barrel Bolts & Nuts	See Note 3
73-40	1	Valve Top	Gray Iron ASTM A126 Class B
73-40-4	1	Valve Top Clevis & Clip Pin	Stainless Steel
73-41	1	Hydrant Valve	EPDM Rubber
73-42	1	Valve Bottom	Ductile Iron ASTM A536 Grade 65-45-12
73-46-2	1	Flanged Base	Ductile Iron ASTM A536 Grade 65-45-12
73-46-2A	1	Flanged Vertical Entry Base	Ductile Iron ASTM A536 Grade 65-45-12
73-46-5	1	Mechanical Joint Base	Ductile Iron ASTM A536 Grade 65-45-12
73-46-PE	1	Mechanical Joint Plain End Base	Ductile Iron ASTM A536 Grade 65-45-12
73-46-TY	1	Tyton Base	Ductile Iron ASTM A536 Grade 65-45-12
73-144	1	Weather Shield	Rubber
73-145	1	Rod Sleeve	Bronze
73-146	2	Rod Sleeve O-Ring	Buna N

Open Direction Left(C.C.W.) Right(C.W.)



AMERICAN
FLOW CONTROL

THE RIGHT WAY

AMERICAN Flow Control
P.O. Box 2727
Birmingham, Al. 35202-2727
Phone: 1-800-326-8051
Fax: 1-800-610-3569
E-mail: afcsales@american-usa.com

Waterous Company
125 Hardman Avenue South
South St. Paul, Mn. 55075-1191
Phone: 1-888-266-3686
Fax: 1-800-601-2809
E-mail: afcsales@american-usa.com

WWW.AMERICAN-USA.COM

Available Bases

SIZE	HM	JM	KM	LM	HOLES	
					NO.	SIZE
4	8.50	2.50	4.91	7.50	4	7/8
6	8.50	2.50	7.03	9.50	6	7/8
8	10.25	2.50	9.18	11.75	6	7/8

MECHANICAL JOINT BASE

6" TYTON BASE WITH LUGS

SIZE	A	B	C	D	HOLES	
					NO.	SIZE
4	8.00	9.00	0.94	7.50	8	3/4
6	8.50	11.00	1.00	9.50	8	7/8

FLANGED BASE

6" PLAIN END W/INTEGRAL MJ GLAND BASE

IL1473-2

AVAILABLE NOZZLE ARRANGEMENTS

2 HOSE
1 PUMPER

2 HOSE
90 DEGREES
APART

1 PUMPER

91-21350

6" FLANGED VERTICAL ENTRY BASE



AMERICAN

FLOW CONTROL

THE RIGHT WAY

AMERICAN Flow Control
P.O. Box 2727
Birmingham, Al. 35202-2727
Phone: 1-800-326-8051
Fax: 1-800-610-3569
E-mail: afcsales@american-usa.com

Waterous Company
125 Hardman Avenue South
South St. Paul, Mn. 55075-1191
Phone: 1-888-266-3686
Fax: 1-800-601-2809
E-mail: afcsales@american-usa.com

WWW.AMERICAN-USA.COM