

FIGURE 330A STAINLESS STEEL BALL VALVES



3 PC SANITARY 400 CWP W/ CLAMP END

FEATURES

- 400 psi CWP non-shock
- 150 psi WSP
- Clamp ends
- Blowout-proof stem
- Live-loaded packing
- Investment cast body
- Internal polished body and ball surface (Ra 32µin / 0.8µm)
- Double stem seal
- Cavity filled TFM (super TFE) seat design
- Stainless steel handle
- Locking lever
- Direct mounting pad
- Vacuum rated to 26.967" Hg (75 Torr)*
- Manufactured silicone free
- Replacement locking handle kits available



ACCESSORIES



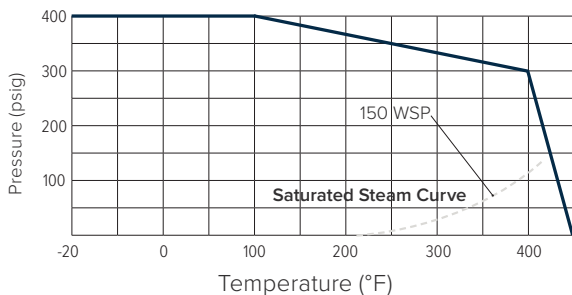
Replacement Locking Handle Kits

PRODUCT SPECIFICATIONS

Standards

- Design: MSS SP-110
- End Connections: 1/2" and 3/4" ASME BPE Type A; 1" and larger are Type B
- Seat/Shell test: MSS SP-110
- 3-A 68-01 Compliant
- Mounting pad: ISO 5211
- Corrosion Resistance: NACE MR0103 and MR0175

* Vacuum measurements are often made in inches of mercury below atmospheric pressure. The values calculated here assume standard atmospheric pressure of 29.92 inches of mercury.



TORQUE (IN-LBS)

Size /ΔP	75 psig	150 psig	300 psig
	5 Bar	10 Bar	20 Bar
1/2	44	44	44
3/4	53	53	53
1	88	88	97
1-1/2	168	168	195
2	221	257	283
2-1/2	354	398	434
3	575	637	717
4	885	973	1080

Note: 30% safety factor is recommended when sizing actuator.

FIGURE NUMBER MATRIX

FNW 330A	
Size Code	
1/2" = D	2" = K
3/4" = F	2-1/2" = L
1" = G	3" = M
1-1/2" = J	4" = P

HANDLE KIT CODES (ORDER SEPARATELY)

FNW 310AM	
Kit Code	Size Code
Locking Handle = LHK	1/2"-3/4" = BF
	1"-1-1/4" = GH
The figure 330A uses the same handle kit as the 310AM.	1-1/2"-2" = JK
	2-1/2"-3" = LM
	4" = P

REPAIR KITS (ORDER SEPARATELY)

FNW 330ARK	
Size Code	
1/2" = D	2" = K
3/4" = F	2-1/2" = L
1" = G	3" = M
1-1/2" = J	4" = P

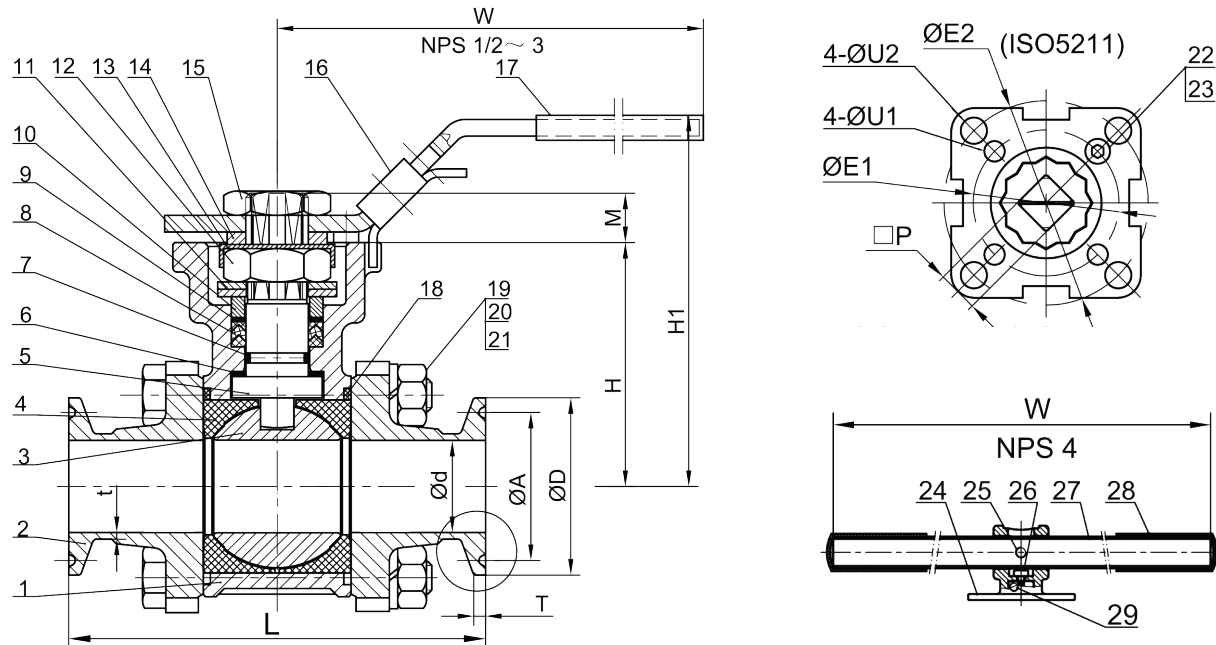
CV & WEIGHT

Size	Cv	Wt. (lbs)
1/2	16	1.53
3/4	41	2.08
1	75	3.22
1-1/2	240	6.37
2	430	9.59
2-1/2	690	18.08
3	1000	25.57
4	1970	49.82

FIGURE 330A STAINLESS STEEL BALL VALVES



3 PC SANITARY 400 CWP W/ CLAMP END



DIMENSIONS (INCHES)

SIZE	Ød	L	H1	H	W	ØA	ØB	T	M	ØE1	ØE2	P	U1	U2	K (UNF)
1/2	0.37	3.54	1.66	2.83	5.79	0.80	0.98	0.14	0.35	F03	F04	0.35	0.24	0.24	7/16-20
3/4	0.62	3.54	1.91	3.11	5.79	0.80	0.98	0.14	0.35	F03	F05	0.35	0.24	0.28	7/16-20
1	0.87	3.94	2.32	3.58	6.97	1.71	1.99	0.11	0.43	F04	F05	0.43	0.24	0.28	9/16-18
1-1/2	1.37	4.92	2.81	4.06	7.76	1.71	1.99	0.11	0.55	F05	F07	0.55	0.28	0.35	3/4-16
2	1.87	5.91	3.08	4.33	7.76	2.22	2.52	0.11	0.55	F05	F07	0.55	0.28	0.35	3/4-16
2-1/2	2.37	7.48	3.94	5.91	10.51	2.78	3.05	0.11	0.67	F07	F10	0.67	0.35	0.43	7/8-14
3	2.87	8.66	4.27	6.26	10.51	3.29	3.58	0.11	0.67	F07	F10	0.67	0.35	0.43	7/8-14
4	3.83	10.63	5.51	8.35	15.75	4.33	4.69	0.11	0.87		F10	0.87		0.43	1-1/8-12

STANDARD MATERIALS

Ref. No.	Description	Material	Qty
1	Body	ASTM A351 CF8M	1
2	End Cap	ASTM A351 CF8M	2
3	Ball	CF8M (316)	1
4	Ball Seat	TFM1600	2
5	Stem	ASTM A276 316	1
6	Thrust Washer	PTFE	1
7	O-Ring	FKM	1
8	Packing	V-Type PTFE	1 Set
9	Bushing	304	1
10	Gland	316	1
11	Belleville Washer	301	2
12	Stem Nut	A194-8 (304)	1
13	Stop-Lock-Cap	304	1
14	Handle Gland	304	1

Ref. No.	Description	Material	Qty
15	Handle Nut	A194-8 (304)	1
16	Handle + Lock Device	304	1
17	Handle Sleeve	Vinyl Plastic	1
18	Body Gasket	PTFE	2
19	Bolting	A193 B8 CL1/A2-70	4
20	Bolt Nut	A194 8/A2-70	4
21	Bolt Washer	304	4
22	Stop Bolt	A2-70	1
23	Stop Nut	A2-70	1
24	Handle Adapter (NPS 4)	CF8	1
25	Set Screw (NPS 4)	A2-70	1
26	Bolting (NPS 3 & 4)	A2-70	6
27	Pipe Handle (NPS 4)	A53 + Plated Zinc	1
28	Handle Sleeve (NPS 4)	Vinyl Plastic	1
29	Set Screw (NPS 4)	A2-70	1