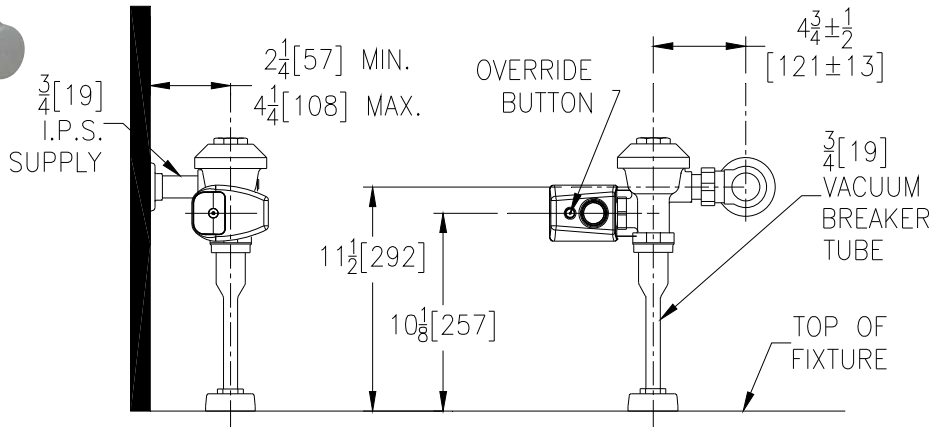




ZER6003AV-ULF-CPM

0.125 gpf Sensor Operated Battery Powered Flush Valve For Ultra Low Flow 3/4" Urinals



Accessories

- YJ Split Ring Pipe Support
- YK Solid Ring Pipe Support



* This product should be used with a WaterSense labeled counterpart with a compatible flush volume to ensure that the entire system meets the requirements for water efficiency and performance.

Architectural/Engineering Approval

The information contained in this document is subject to change without notice.

ZURN INDUSTRIES, LLC. ♦ COMMERCIAL BRASS OPERATION
5900 ELWIN BUCHANAN DRIVE ♦ SANFORD NC 27330
PHONE: 1-800-997-3876 ♦ FAX: 919-775-3541
WWW.ZURN.COM

IN CANADA: ZURN INDUSTRIES LIMITED
7900 GOREWAY DRIVE UNIT 10 ♦ BRAMPTON, ONTARIO L6T5W6
PHONE: 905-405-8272 FAX: 905-405-1292

AquaVantage® is a registered trademark of Zurn Industries, LLC.
AquaSense® is a registered trademark of Zurn Industries, LLC.

ENGINEERING SPECIFICATIONS

Exposed, quiet diaphragm-type, chrome plated flushometer valve with a polished exterior.

- Zurn's AquaVantage® TPE diaphragm
 - Clog Resistant by-pass
 - Chloramine resistant
 - Dual seal
- Proprietary DR resistant low lead brass alloy
- Sensor Module
 - Chrome Plated Metal Cover
 - ADA compliant
 - 6 VDC Motor Actuator
 - Battery Powered
 - Override Button
- Control Stop
 - Internal siphon-guard protection
 - Vandal resistant stop cap
 - Sweat solder kit
 - Cast wall flange with set screw
- Vacuum Breaker
 - High back pressure
 - One piece hex coupling nut
- Internal seals
 - Chloramine resistant
- Adjustable tailpiece
- Spud coupling and flange for top spud connection