

|              |       |      |       |
|--------------|-------|------|-------|
| Item No.:    | _____ | Qty. | _____ |
| Model No.:   | _____ |      |       |
| Project No.: | _____ |      |       |



## 14" Super Economy Series Sinks

14" Deep Super Economy Three Compartment Stainless Steel Sinks

- S3C18X18-2-18X**
- S3C24X24-2-24X**

### Options

- Faucets
- Tub Accessories
- Undershelves
- Rotary Drain Options
- H-Frame Stainless Steel Legs
- Stainless Steel Feet Options (bullet & flange styles)

### Specifications

14" Super Economy Series Sink, with three compartments, both left and right drainboards, 9" backsplash, 18 gauge, 300 series stainless steel top and bowl, galvanized legs & adjustable feet, raised 1-1/2" rolled edge, includes 3-1/2" basket strainer, NSF approved

### Features

- 18 Ga. stainless steel
- Welded construction for consistent metal gauge thickness throughout
- 14" (355.6 mm) deep tub with 3/4" (19.1 mm) coved radius tub corners
- All drainboards are die stamped for positive drainage
- 9" (228.6 mm) backsplash with tile ledge for easy installation
- Raised 1-1/2" (38.1 mm) diameter rolled edge
- 3-1/2" (88.9 mm) drain with basket strainers included
- 1-5/8" (41.3 mm) galvanized legs with 1" (25.4 mm) adjustable plastic feet

### Materials

- Sink & Bowl: 18 Ga. 300 series stainless steel
- Top: Drainboards and backsplash are 18 gauge 300 series stainless steel.
- Legs: All sinks furnished with 1-5/8" (41.3 mm) diameter heavy gauge galvanized tubing with plated galvanized leg gussets and high impact corrosion resistant fully adjustable 1" (25.4 mm) feet.

### Mechanical

- 1-1/8" (28.6mm) faucet holes on 8" (203mm) centers
- 3-1/2" (88.9mm) waste drain opening

### Flyer Product

*In keeping with our policy of continuing product improvement, Elkay SSP reserves the right to change product specifications without notice.*



**AUTOQUOTES**



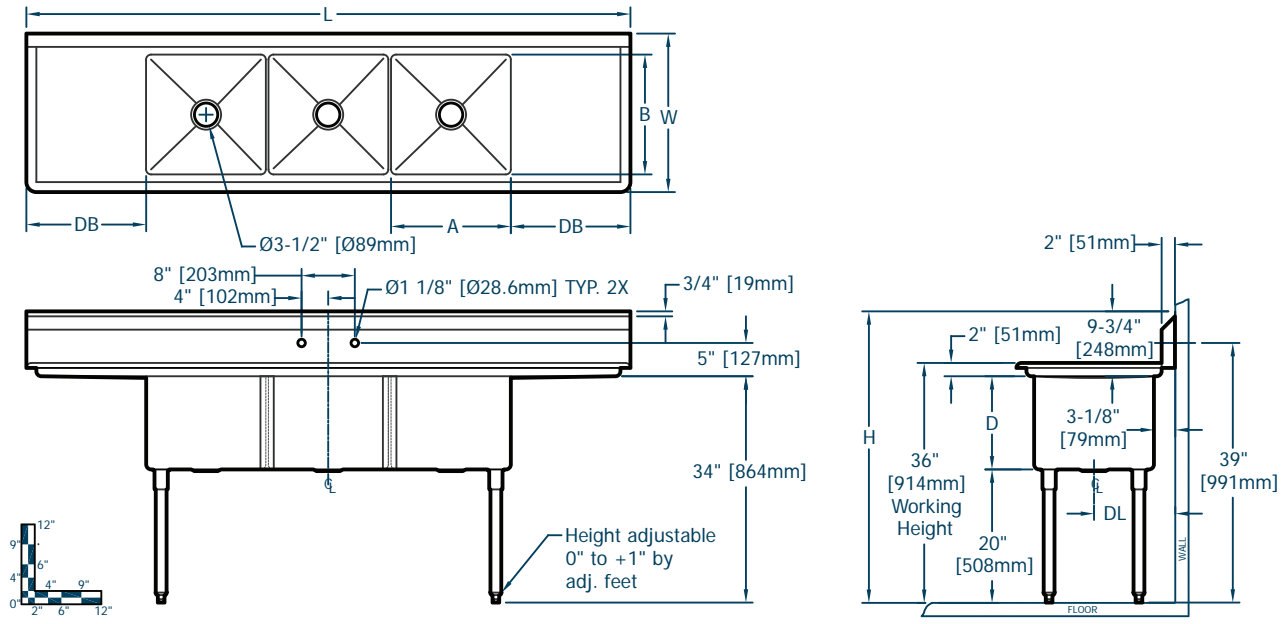
*This specification describes an Elkay SSP product with design, quality and functional benefits to the user. When making a comparison of other producers' offerings, be certain these features are not overlooked.*



Item No.: \_\_\_\_\_ Qty. \_\_\_\_\_  
 Model No.: \_\_\_\_\_  
 Project No.: \_\_\_\_\_

## 14" Super Economy Series Sinks

14" Deep Super Economy Three Compartment Stainless Steel Sinks



| 14" Super Economy Series Sinks |                 |     |               |     |       |     |              |      |       |     |            |      |                |      |          |    |     |     |    |
|--------------------------------|-----------------|-----|---------------|-----|-------|-----|--------------|------|-------|-----|------------|------|----------------|------|----------|----|-----|-----|----|
| Model Number                   | Bowl Dimensions |     |               |     |       |     | Overall Size |      |       |     | Drainboard |      | Drain Location |      | Weight   |    |     |     |    |
|                                | Width           |     | Front-to-Back |     | Depth |     | Length       |      | Width |     | Height     |      | Location       | Size | Location | DL |     |     |    |
|                                | A               | B   | D             | L   | W     | H   | DB           | DL   | lbs.  | kg  |            |      |                |      |          |    |     |     |    |
| S 3C 18 X 18 2 18 X            | 18              | 457 | 18            | 457 | 14    | 356 | 90           | 2286 | 23.8  | 605 | 43.8       | 1111 | L & R          | 18   | 457      | 12 | 305 | 105 | 48 |
| S 3C 24 X 24 2 24 X            | 24              | 610 | 24            | 610 | 14    | 356 | 120          | 3048 | 29.8  | 757 | 43.8       | 1111 | L & R          | 24   | 610      | 15 | 381 | 144 | 65 |

