

PRODUCT SPECIFICATIONS

Elkay Stainless Steel 57" x 25-3/4" x 45" 16 Gauge Three
Compartment Sink with Stainless Steel Legs. Sink is manufactured
from 16 gauge Stainless Steel with a #4 Finish , Center drain
placement.

Material:	Stainless Steel
Finish:	#4 Finish
Gauge:	16
Weight Without Packaging:	154
Number of Bowls:	3
Sink Dimensions:	57" x 25-3/4" x 45"
Bowl 1 Dimensions:	16" x 20" x 14"
Bowl 2 Dimensions:	16" x 20" x 14"
Bowl 3 Dimensions:	16" x 20" x 14"
Backsplash Height:	9
Leg Type:	Stainless Steel
Drain Size:	3-1/2" (89mm)
Drain Location:	Center

Special Note: Requires single splash mount faucet (not included).

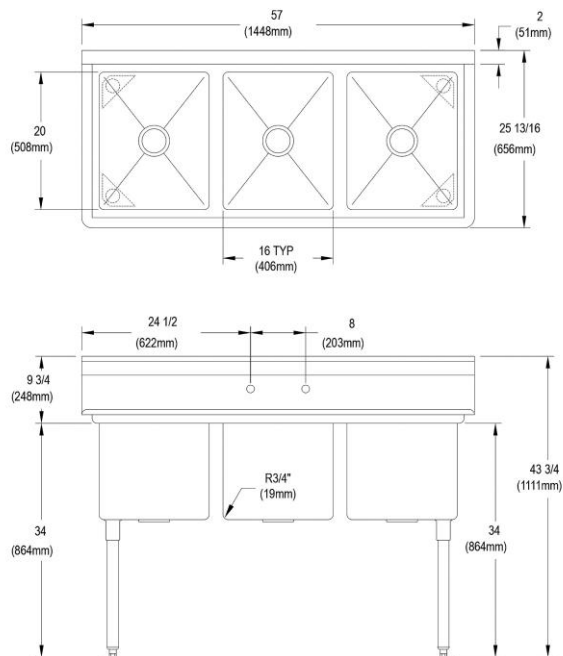
Custom Options	
Alternate Punching	
<input type="checkbox"/> Faucet Model:	<input type="checkbox"/> Punch Required:

*Options available if applicable



Included with Product: Stainless steel legs and adjustable
bullet feet.

AMERICAN PRIDE. A LIFETIME TRADITION.
Like your family, the Elkay family has values and traditions that
endure. For almost a century, Elkay has been a family-owned and
operated company, providing thousands of jobs that support our
families and communities.



PART: _____ QTY: _____

PROJECT: _____

CONTACT: _____

DATE: _____

NOTES: _____

APPROVAL: _____

In keeping with our policy of continuing product improvement, Elkay reserves the right to change product specifications without notice. Please visit elkay.com for the most current version of Elkay product specification sheets. This specification describes an Elkay product with design, quality, and functional benefits to the user. When making a comparison of other producers' offerings, be certain these features are not overlooked.