

Item No.:	_____	Qty.	_____
Model No.:	_____		
Project No.:	_____		



12" Budget Series Sinks

12" Deep Budget One Compartment Stainless Steel Sinks

- B1C18X18X**
- B1C18X21X**
- B1C24X24X**

Options

- Faucets
- Tub Accessories
- Undershelves
- Rotary Drain Options
- H-Frame Stainless Steel Legs
- Stainless Steel Feet Options (bullet & flange styles)

Specifications

12" Budget Series Sink, with one compartment, no drainboard, 9" backsplash, 18 gauge, 300 series stainless steel top and bowl, galvanized legs & adjustable feet, raised 1-1/2" rolled edge, includes 3-1/2" basket strainer

Features

- 18 Ga. stainless steel
- Welded construction for consistent metal gauge thickness throughout
- 12" (304.8 mm) deep tub with 3/4" (19.1 mm) coved radius tub corners
- 9" (228.6 mm) backsplash with tile ledge for easy installation
- Raised 1-1/2" (38.1 mm) diameter rolled edge
- 3-1/2" (88.9 mm) drain with basket strainer included
- 1-5/8" (41.3 mm) galvanized legs with 1" (25.4 mm) adjustable plastic feet

Materials

- Sink & Bowl: 18 Ga. 300 series stainless steel
- Top: Backsplash is 18 gauge 300 series stainless steel.
- Legs: All sinks furnished with 1-5/8" (41.3 mm) diameter heavy gauge galvanized tubing with plated galvanized leg gussets and high impact corrosion resistant fully adjustable 1" (25.4 mm) feet.

Mechanical

- 1-1/8" (28.6mm) faucet holes on 8" (203.2mm) centers
- 3-1/2" (88.9mm) waste drain opening

Flyer Product

In keeping with our policy of continuing product improvement, Elkay SSP reserves the right to change product specifications without notice.

AUTOQUOTES



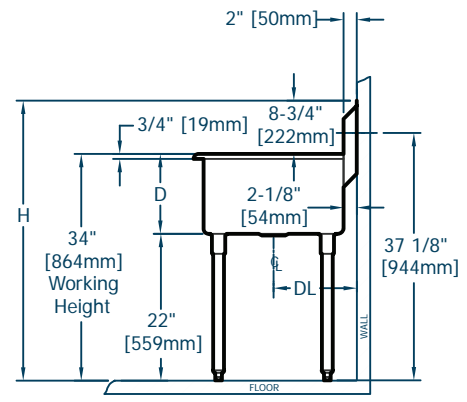
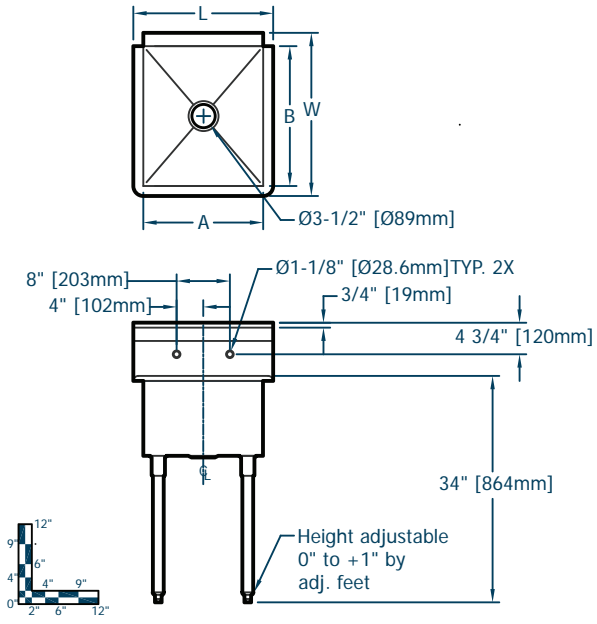
This specification describes an Elkay SSP product with design, quality and functional benefits to the user. When making a comparison of other producers' offerings, be certain these features are not overlooked.



Item No.: _____ Qty. _____
 Model No.: _____
 Project No.: _____

12" Budget Series Sinks

12 Deep Budget One Compartment Stainless Steel Sinks



Budget Series Sinks																			
Model Number	Bowl Dimensions						Overall Size						Drainboard		Drain Location		Weight		
	Width		Front-to-Back		Depth		Length		Width		Height		Location	Size	Location		lbs.	kg	
	A	mm	B	mm	D	mm	L	mm	W	mm	H	mm		DB	DL	mm			
B 1C 18 X 18 0 X	18	457	18	457	12	305	21	533	21.5	546	42.0	1067	No	0	0	11	279	25	11
B 1C 18 X 21 0 X	18	457	21	533	12	305	21	533	24.5	622	42.0	1067	No	0	0	12.5	318	29	13
B 1C 24 X 24 0 X	24	610	24	610	12	305	27	686	27.5	699	42.0	1067	No	0	0	14	356	34	15

