

Item No.:	_____	Qty.	_____
Model No.:	_____		
Project No.:	_____		



12" Budget Series Sinks

12" Deep Budget Two Compartment Stainless Steel Sinks

- B2C18X21X**
- B2C24X24X**

Options

- Faucets
- Tub Accessories
- Undershelves
- Rotary Drain Options
- H-Frame Stainless Steel Legs
- Stainless Steel Feet Options (bullet & flange styles)

Specifications

12" Budget Series Sink, with two compartments, no drainboard, 9" backsplash, 18 gauge, 300 series stainless steel top and bowl, galvanized legs & adjustable feet, raised 1-1/2" rolled edge, includes 3-1/2" basket strainer

Features

- 18 Ga. stainless steel
- Welded construction for consistent metal gauge thickness throughout
- 12" (304.8 mm) deep tub with 3/4" (19.1 mm) coved radius tub corners
- 9" (228.6 mm) backsplash with tile ledge for easy installation
- Raised 1-1/2" (38.1 mm) diameter rolled edge
- 3-1/2" (88.9 mm) drain with basket strainers included
- 1-5/8" (41.3 mm) galvanized legs with 1" (25.4 mm) adjustable plastic feet

Materials

- Sink & Bowl: 18 Ga. 300 series stainless steel
- Top: Backsplash is 18 gauge 300 series stainless steel.
- Legs: All sinks furnished with 1-5/8" (41.3 mm) diameter heavy gauge galvanized tubing with plated galvanized leg gussets and high impact corrosion resistant fully adjustable 1" (25.4 mm) feet.

Mechanical

- 1-1/8" (28.6mm) faucet holes on 8" (203.2mm) centers
- 3-1/2" (88.9mm) waste drain opening

Flyer Product

AUTOQUOTES



In keeping with our policy of continuing product improvement, Elkay SSP reserves the right to change product specifications without notice.

This specification describes an Elkay SSP product with design, quality and functional benefits to the user. When making a comparison of other producers' offerings, be certain these features are not overlooked.

Elkay SSP
 421 N. Freya St.
 Spokane, WA 99205
 Phone: 800-726-0553 Fax: 509-535-1493

Website: www.sspinc.net
 Email: sspsales@elkay.com
 ©2011 SSP INC.



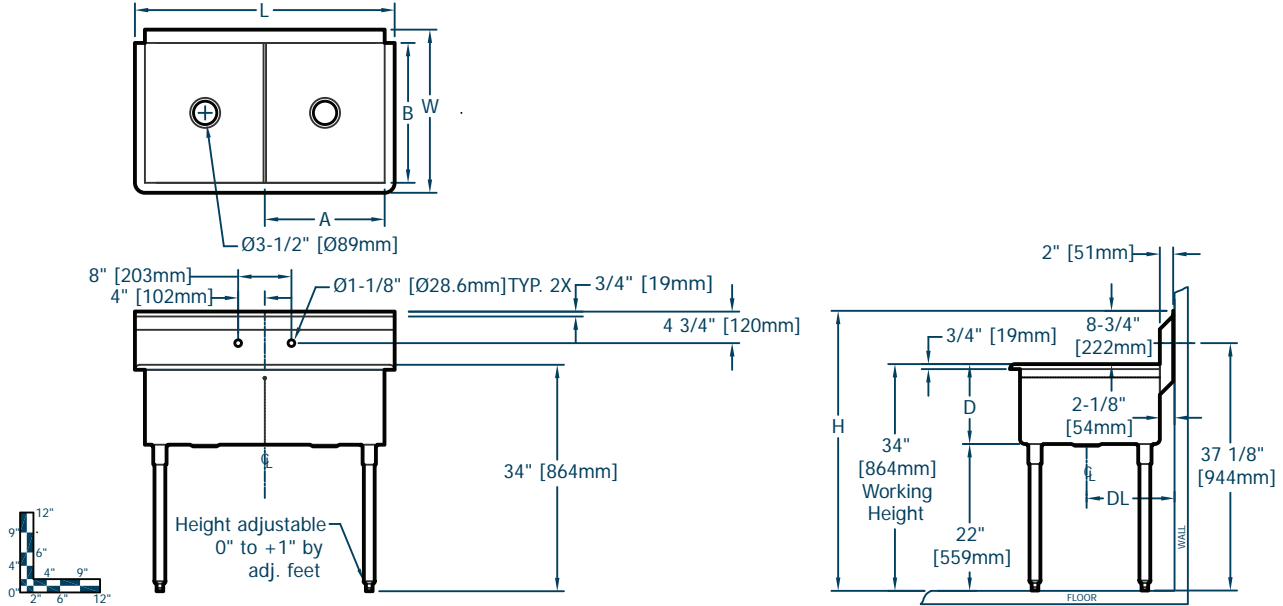
Item No.: _____ Qty. _____

Model No.: _____

Project No.: _____

12" Budget Series Sinks

12 Deep Budget Two Compartment Stainless Steel Sinks



Budget Series Sinks																			
Model Number	Bowl Dimensions						Overall Size			Drainboard		Drain		Weight					
	Width A		Front-to-Back B		Depth D		Length L		Width W		Height H		Location	Size DB	Location DL	lbs.	kg		
	in.	mm	in.	mm	in.	mm	in.	mm	in.	mm	in.	mm		in.	mm				
B 2C 18 X 21 0 X	18	457	21	533	12	305	39	991	24.5	622	42.0	1067	No	0	0	12.5	318	47	21
B 2C 24 X 24 0 X	24	610	24	610	12	305	51	1295	27.5	699	42.0	1067	No	0	0	14	356	60	27

